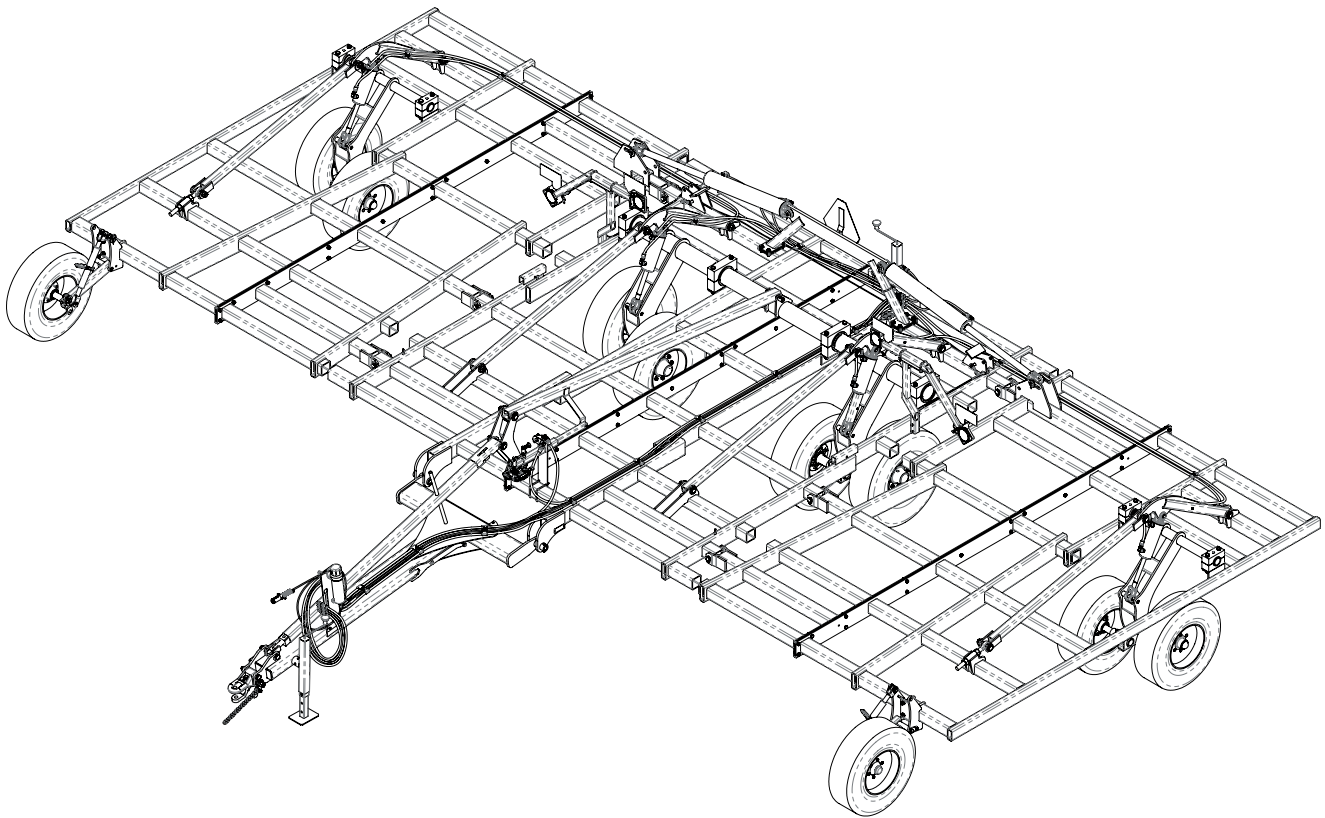


## KONGSKILDE 8200

Field Cultivator - Assembly/Parts

Kongskilde  
8200



### Models

768226901	8226	Field Cultivator (26.5')
768228901	8228	Field Cultivator (28.5')
768230901	8230	Field Cultivator (30.5')
768232901	8232	Field Cultivator (32.5')
768232902	8236	Field Cultivator (36.5')

\*Model may not be exactly as shown.

Kongskilde reserves the right to make changes to product designs and specifications without notice or obligation to rework.

See your local Kongskilde representative for current product specifications and options.

# Table of Contents

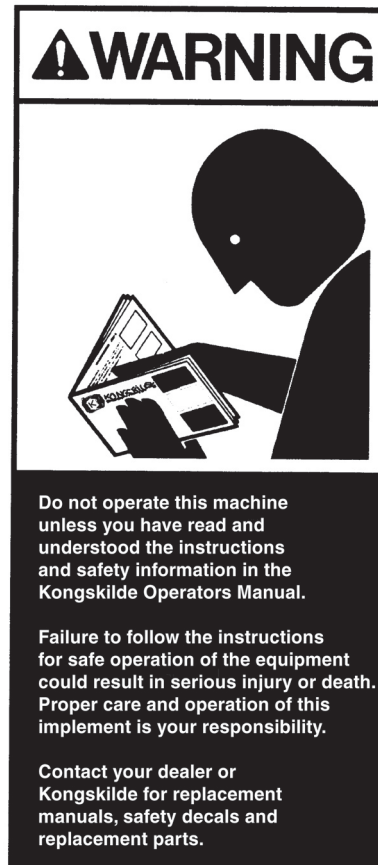
---

Introduction: .....	3
Center Frame Assembly .....	4
Center Rockshaft Assembly .....	6
Center Rockshaft Parts .....	8
Dual Fold Cylinder Mount Assembly (8236 Only) .....	10
Center Lift Cylinders & Linkages Assembly .....	12
Fold Cylinder Mount Assembly .....	14
Single Point Assembly .....	16
Light Stands & Safety Locks Assembly .....	18
Hitch & Turnbuckle Assembly .....	20
Wing Frame Assembly .....	22
Fold Cylinder Assembly .....	24
Wing Rockshaft Assembly .....	26
Wing Rockshaft Parts .....	28
Wing Lift Cylinder & Linkage Assembly .....	30
Vibro Tine Assembly Option .....	32
C-Shank Assembly Option .....	34
Gauge Wheel Assembly .....	36
Gauge Wheel Parts .....	38
Rear Jack Assembly .....	40
Hydraulic Tree Assembly .....	42
Lift Hydraulics 26.5' .....	44
Lift Hydraulics 28.5' .....	46
Lift Hydraulics 30.5' .....	48
Lift Hydraulics 32.5' .....	50
Lift Hydraulics 36.5' .....	52
Fold Hydraulics .....	54
Cylinder Parts .....	56
Light Kit Assembly .....	58
Rear Hitch (Optional) .....	60
Rear Hitch Hydraulic Kit (Optional) .....	62
Rear Hitch Light Extension Kit (Optional) .....	64
Decal Placement .....	66
Assembly Completion .....	68
Appendix A .....	69
Appendix B .....	71



## Introduction:

Please take the time to carefully read all the instruction booklets provided with your new Kongskilde product. Once you are finished reading do not throw these guides out. Keep them for later review.



These instruction booklets have been developed to assist you in assembling, adjusting and maintaining your new Kongskilde Product. To obtain optimal performance over the lifetime of the product read and follow these instructions carefully.

When the assembly of the unit is completed, please refer to the Owners Manual before attempting to adjust or use the product. The Owners Manual will provide you with further instructions on the proper Field Settings, Adjustments and Maintenance Procedures for Safe Operation of the unit.

If optional equipment or attachments have been ordered for your unit, please refer to the instruction booklets provided for proper installation and adjustment of these accessories.

Please take the time to fill out and return the Owners Registration and Warranty Form provided with the Owners Manual in order to activate the warranty coverage.

### NOTES:

- Images in this manual are for reference only and may not exactly match actual components.
- This manual depicts "Left" and "Right" as if standing behind the unit facing forward.
- Refer to torque chart in Appendix B for proper tightening of bolts, unless otherwise noted.

# Center Frame Assembly

## Instructions:

- Hardware included in bag 760033012
- Connect center frames as shown, using parts listed on next page.
- Place center frames on steel shop stands during assembly until lift hydraulics are installed and working.

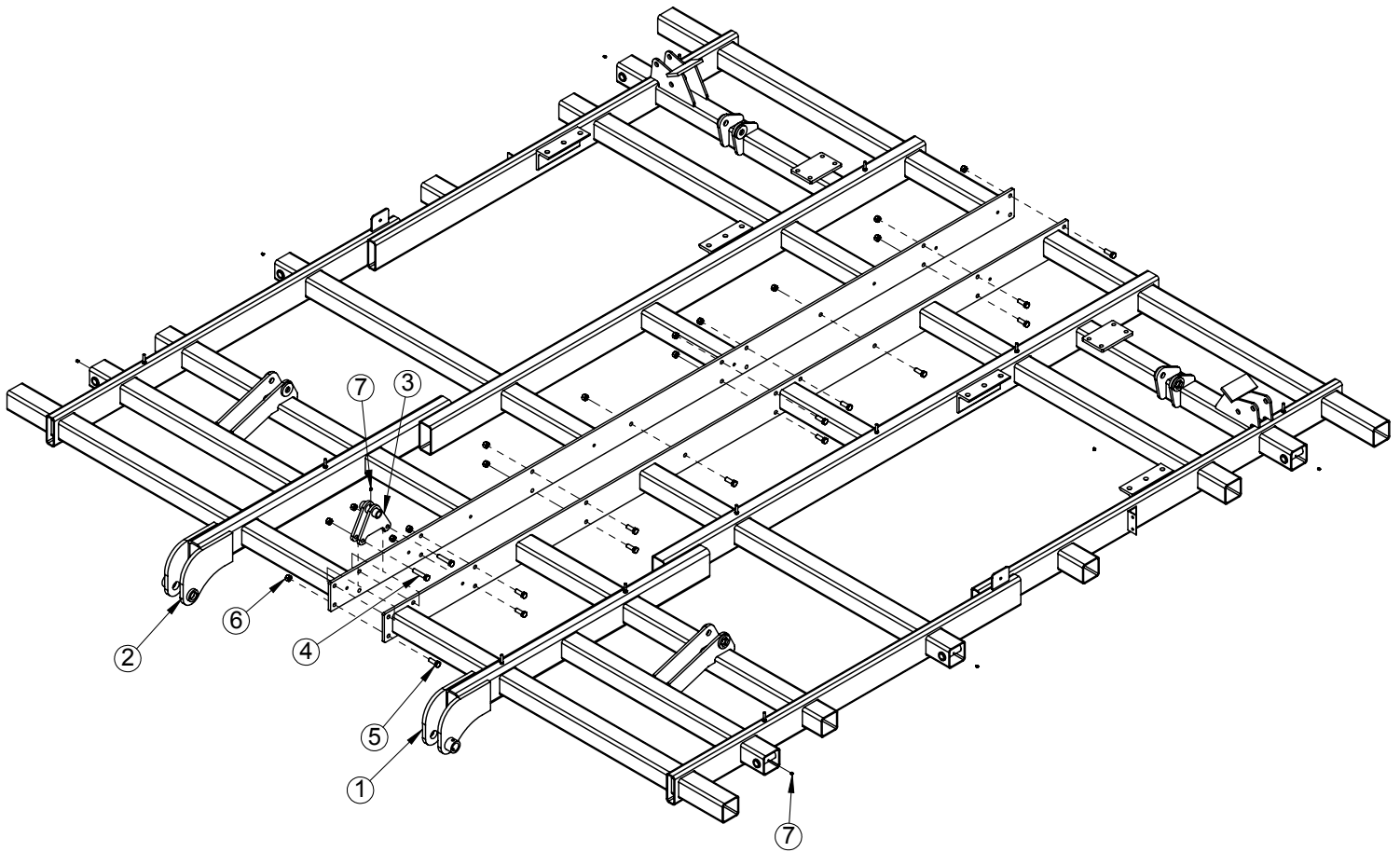
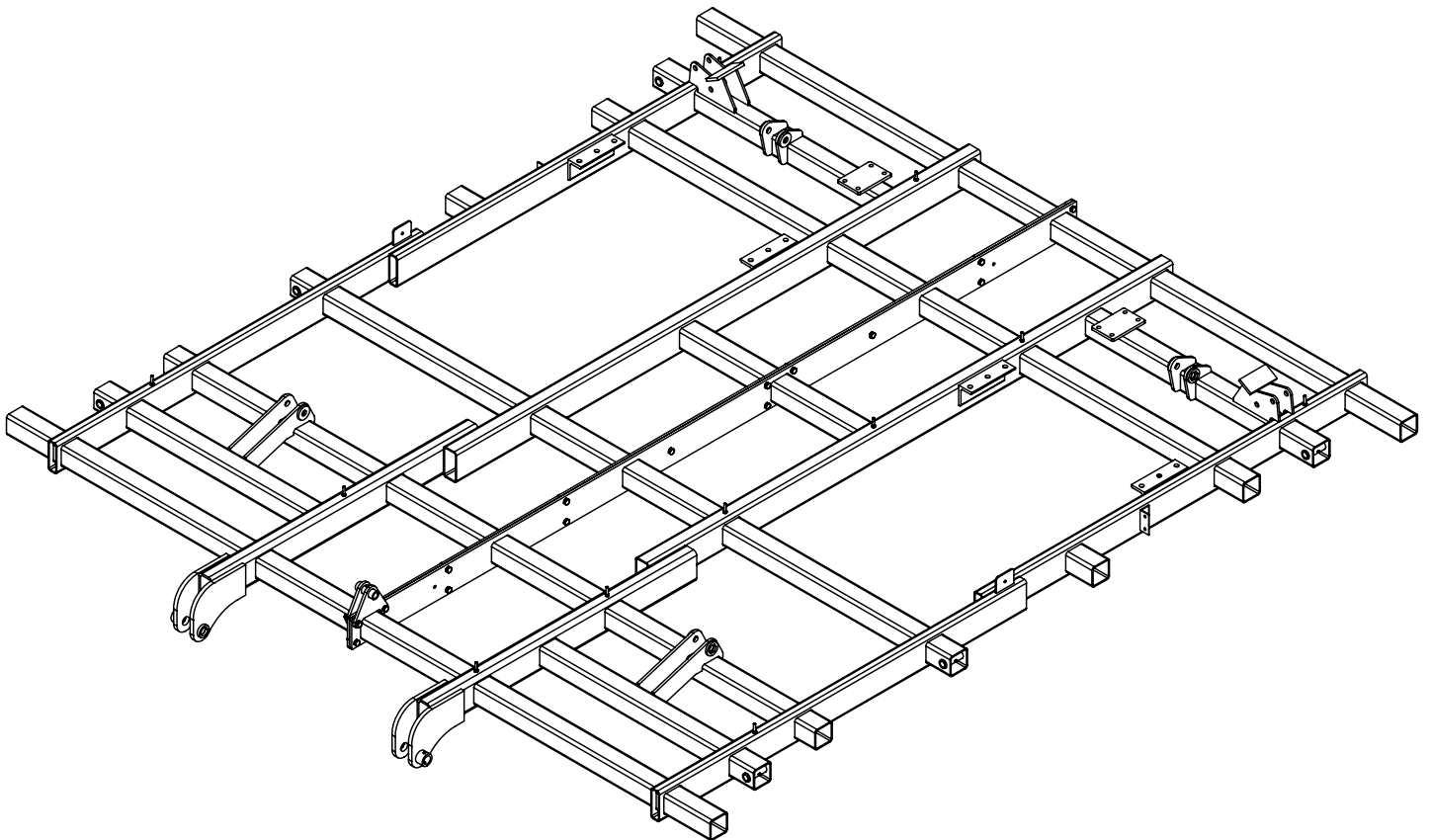


Fig.	Part no.	Qty	Description
1	760032000	1	Center Mainframe Wdmt, LH
2	760032001	1	Center Mainframe Wdmt, RH
3	760032063	1	Leveling Pivot Linkage Mount
4	600356107	2	Bolt, 5/8" X 3" GR. 5
5	600356023	16	Bolt, 5/8" X 1 3/4" GR. 5
6	600366031	18	Nut, Toplock 5/8"
7	600471000	7	Grease Fitting



## Center Rockshaft Assembly

### Instructions:

- Hardware included in bag 760033012
- Insert wear sleeves into rockshaft blocks before assembling rockshaft.
- Assemble rockshaft, spindles and wheels to center frame as shown, using parts listed on next page.
- Spindles and wheels can be installed to rockshaft assembly before or after rockshaft is attached to the frame
- IMPORTANT: Install wheels to the spindles so the wheel rims are offset toward the wheel arms. (Narrow setting); Be sure to use 5/8"-18 lug nuts which fit 15/16" wrench (included in bag 760043010). Torque lug nuts to 170 ft-lbs. Re-torque lug nuts after ten hours of field use.

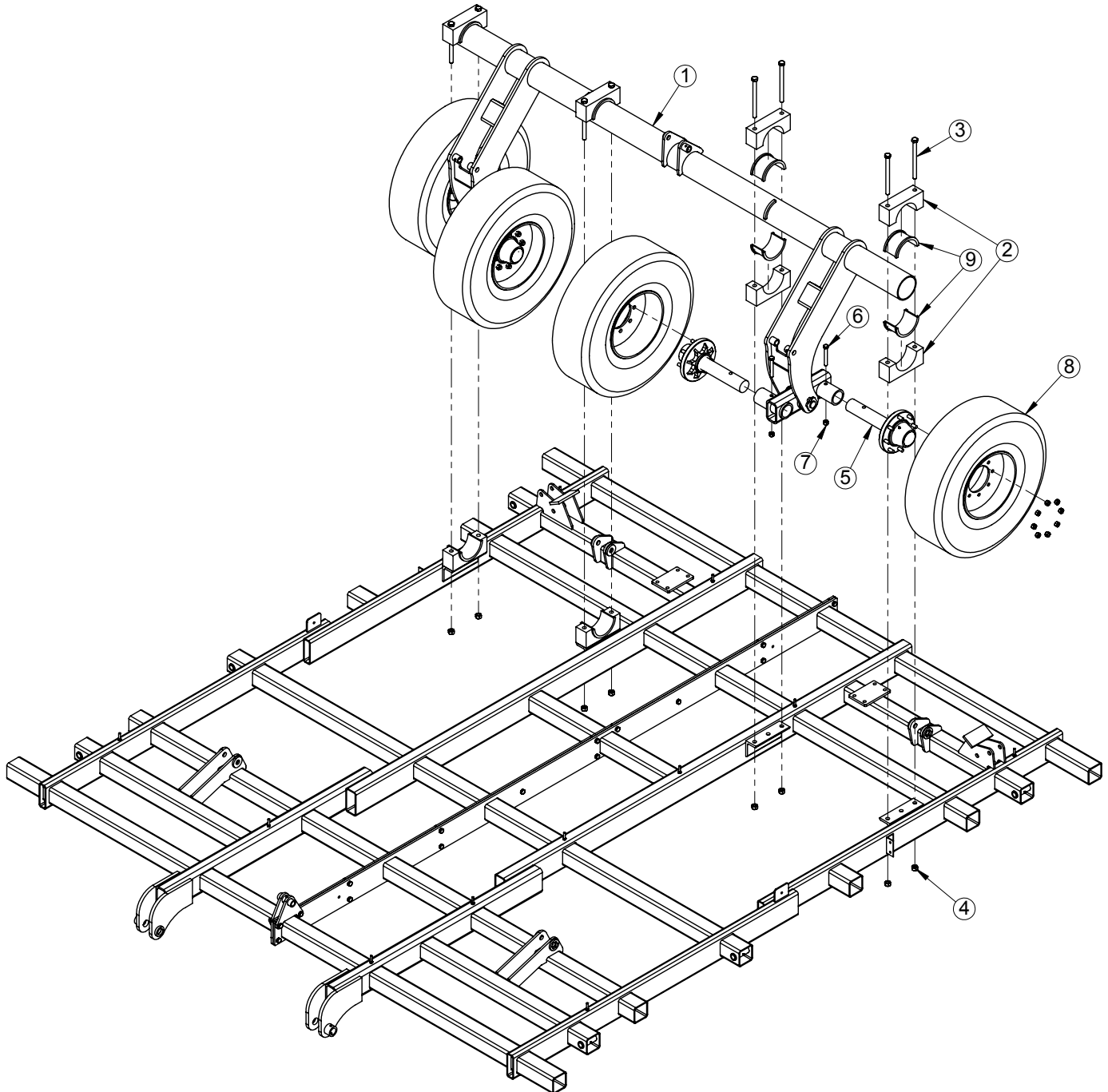
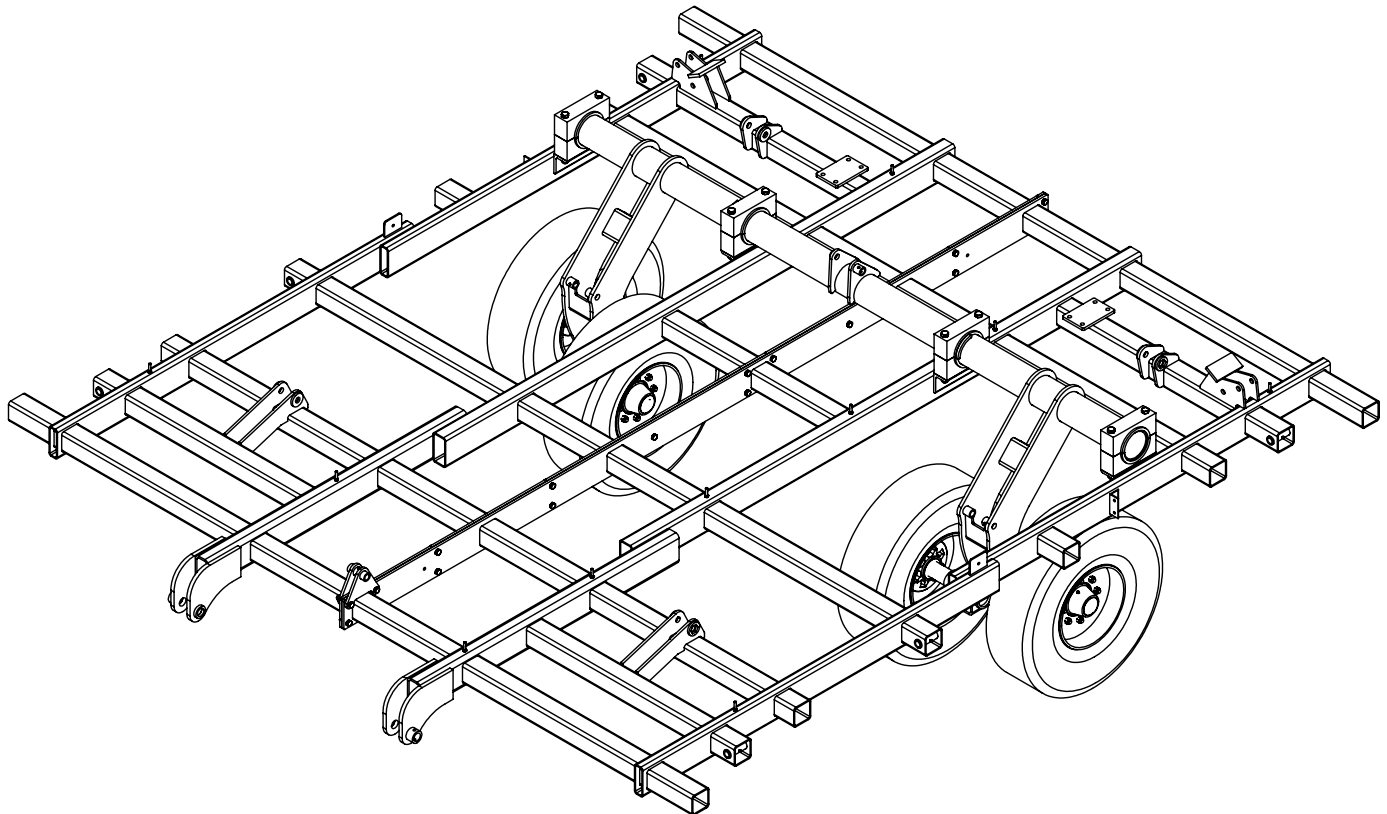


Fig.	Part no.	Qty	Description
1	760033003	1	Center Rockshaft Assembly
2	760031189	8	Center Rockshaft Block
	760031129	-	Center Rockshaft Block (Old version used w/o wear sleeve)
3	7600355102	8	Bolt, 3/4" X 9-1/2" GR. 8
4	600366024	8	Nut, Toplock 3/4"
5	7600473119	4	8 X 8 Hub (G60-8) & Spindle Assembly
6	600355052	4	Bolt, 5/8" X 4-1/2" GR. 8
7	600366031	4	Nut, Toplock 5/8"
8	600473100	4	Wheel Assembly 11L-15 Galaxy (8-Bolt)
9	760031190	8	Wear Sleeve Half

See following page for part details



# Center Rockshaft Parts

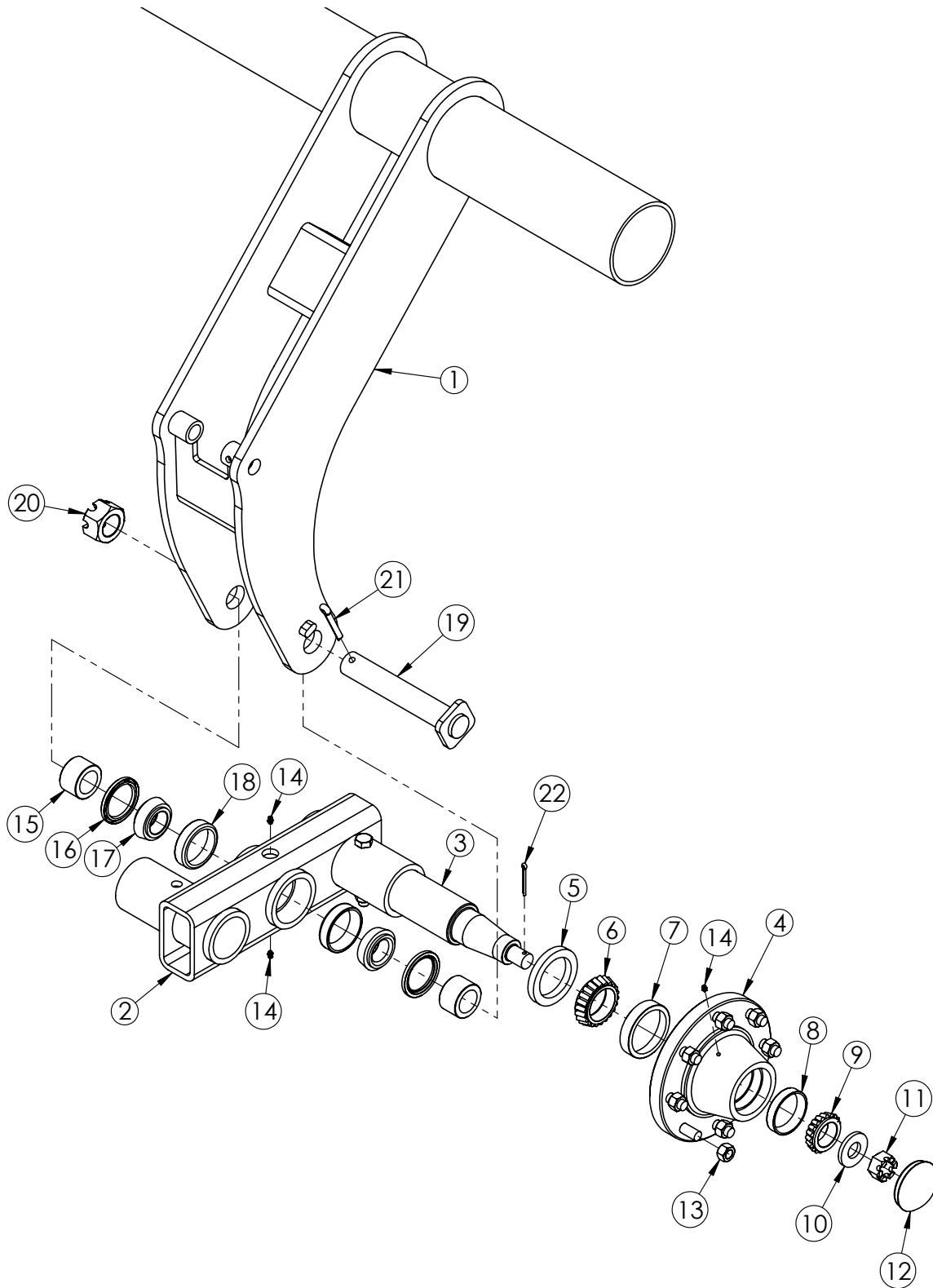
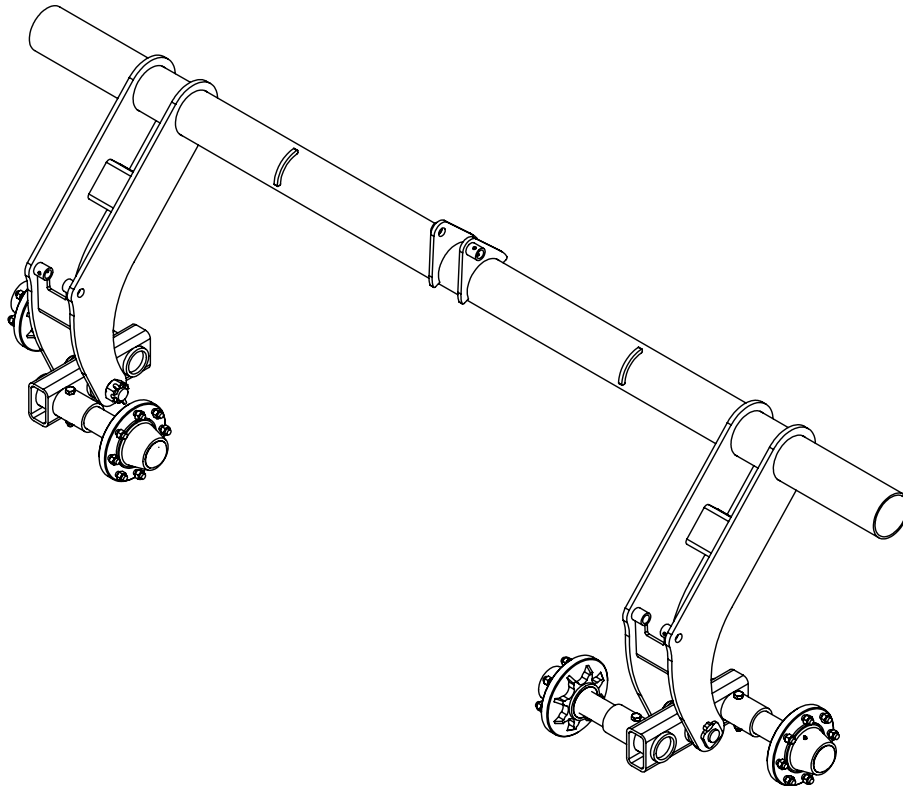




Fig.	Part no.	Qty	Description
1	760032008	1	Center Rockshaft Wdmt
2	760032010	2	Center Tandem Wdmt
3	7600473116	4	6000# Spindle (2-3/4" x 18") w/Hole
-	7600473117	4	2-3/4" x 18" Spindle Assembly (Includes Items 3, 10, 11, 22)
4	763011289	4	8-Bolt Hub 60-8 (Includes Items 4, 7, 8, 13, 14)
-	763012379	4	8 x 8 Hub (G60-8) Assembly Complete (Includes Items 4-9, 12-14)
5	600473057	4	Seal, 2-3/4" w/Spring & Alternate Lip
6	76301131	4	Bearing - JLM506849
7	76301137	4	Bearing Cup - JLM506810
8	76301135	4	Bearing Cup - LM501310
9	76301129	4	Bearing - LM501349
10	600473052	4	Washer EMI-8000
11	600366012	4	Slotted Nut 1" - UNF
12	76301230	4	Dust Cap
13	7600473120	32	5/8"-18 UNF Lug Nut for 15/16" Wrench Size
14	600471000	8	GF-641 Grease Fitting
15	760031111	4	Tandem Spacer
16	7600473113	4	Seal 22368
17	7600473115	4	Bearing Cone, Timken 2776
18	7600473114	4	Bearing Cup, Timken 2720
19	760032026	2	Tandem Pin Wdmt
20	7600366051	2	Slotted Nut 1-1/2"-12 UNF Plated
21	600383025	2	Cotter Pin 3/8" x 2-1/2"
22	600383003	2	Cotter Pin 3/16" x 1-3/4"

Quantities listed are for each individual part in the complete rockshaft assembly



# Dual Fold Cylinder Mount Assembly (8236 SF ONLY)

## Instructions:

-Hardware included in bag 760033028

-On 8236 Single fold maching only, attach fold cylinder mounts and cross brace as shown (using hardware on next page) before installing center lift linkages and cylinders.

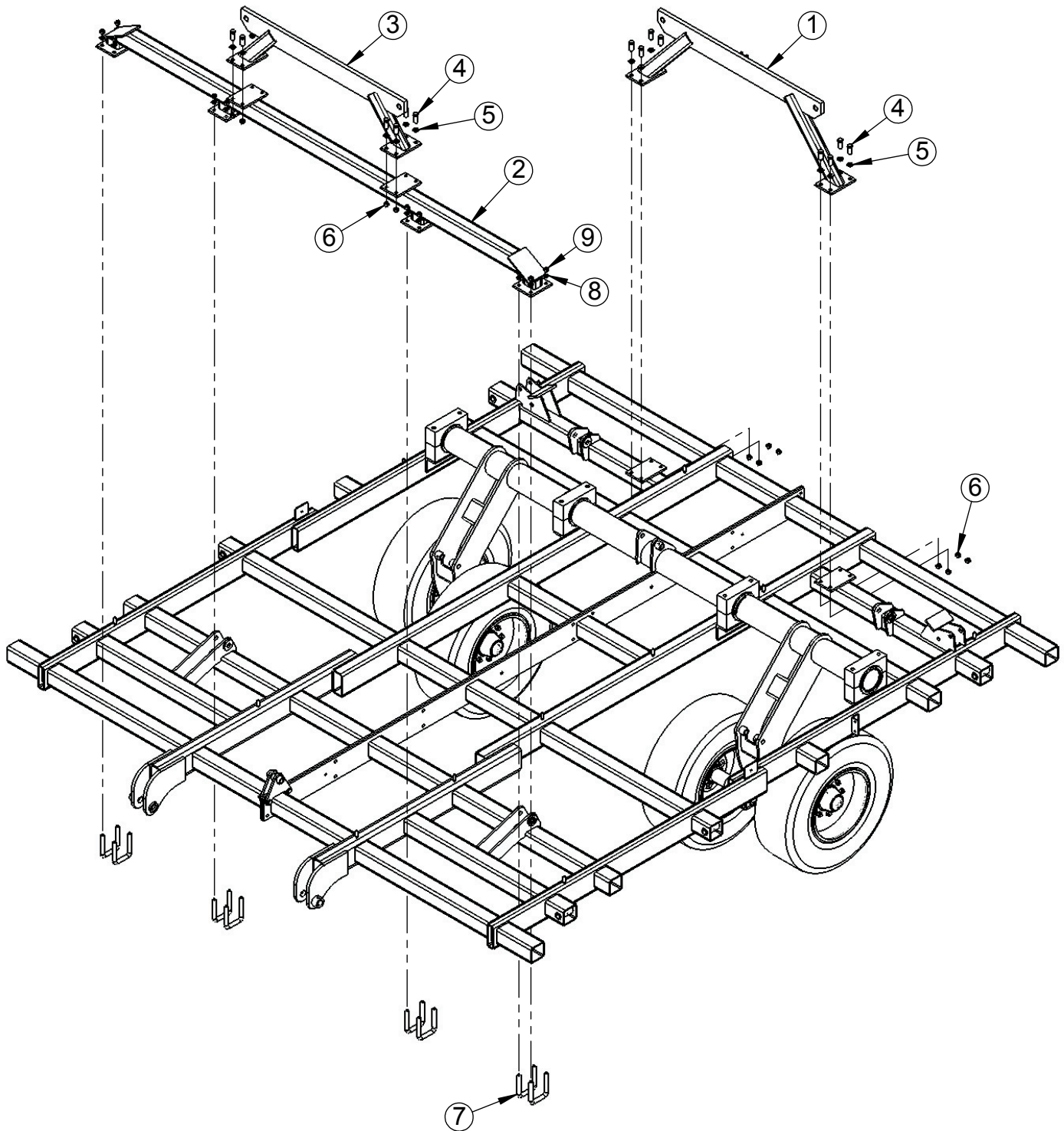
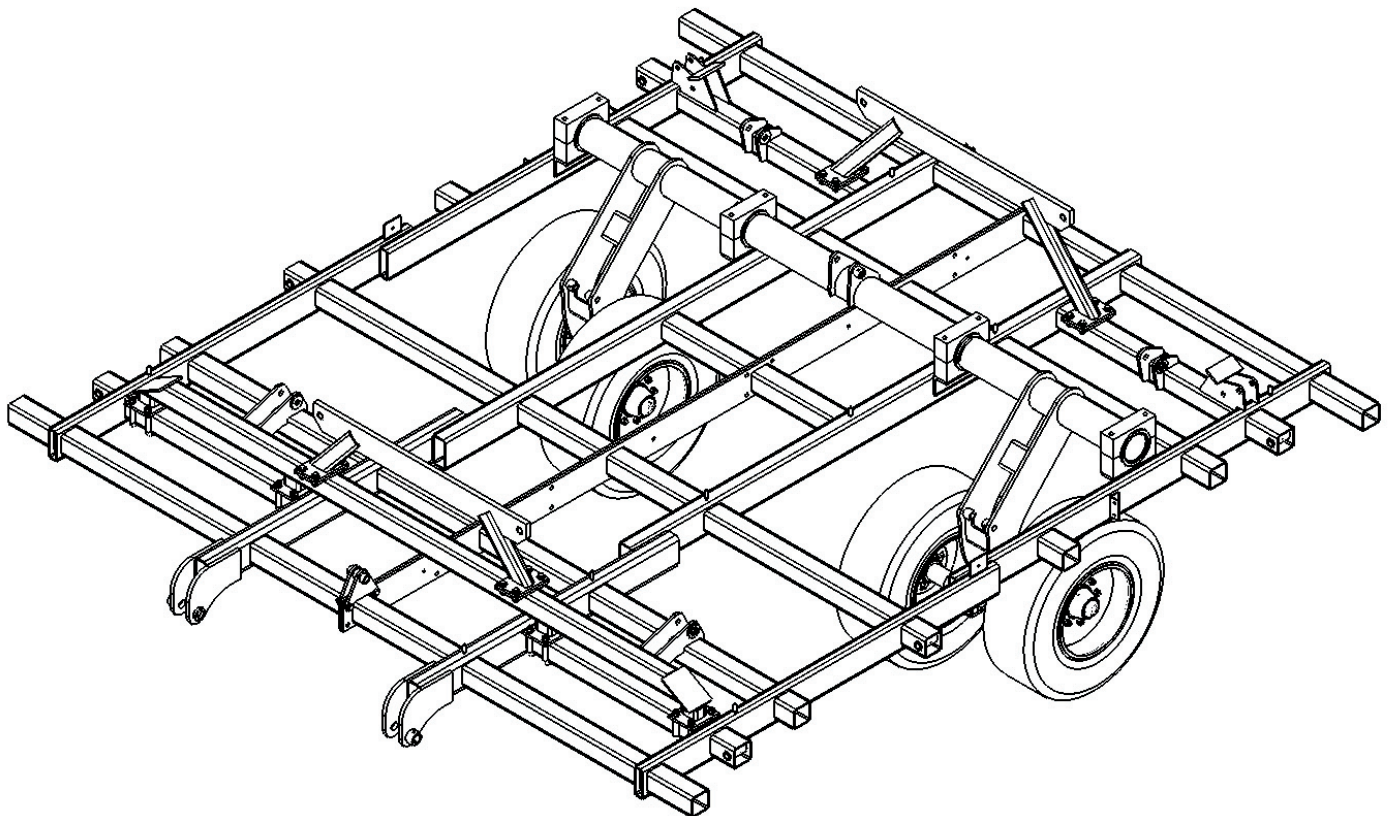


Fig.	Part no.	Qty	Description
1	760032020	1	Rear Fold Cylinder Base Mount Wdmt
2	760032051	1	Center Frame Cross Brace Wdmt
3	760032070	1	Front Fold Cylinder Base Mount Wdmt
4	600355028	16	Bolt, 5/8" X 2" GR. 8
5	600381052	16	Flat Washer, 5/8" - SAE
6	600366031	16	Nut, Toplock 5/8"
7	600373058	8	U-Bolt, 5/8" X 4" X 5-1/2"
8	600382054	16	Lock Washer 5/8"
9	600365014	16	Standard Nut 5/8"



# Center Lift Cylinders & Linkages Assembly

## Instructions:

- Hardware included in bag 760033014
- Attach lift cylinders and linkages as shown, using parts listed on next page.
- On base end of cylinders, use pins which come with cylinders - pins shown are for repair only
- Install leveling linkage as shown in image "A". This will give the rear of the machine more transport height than original setting "B".

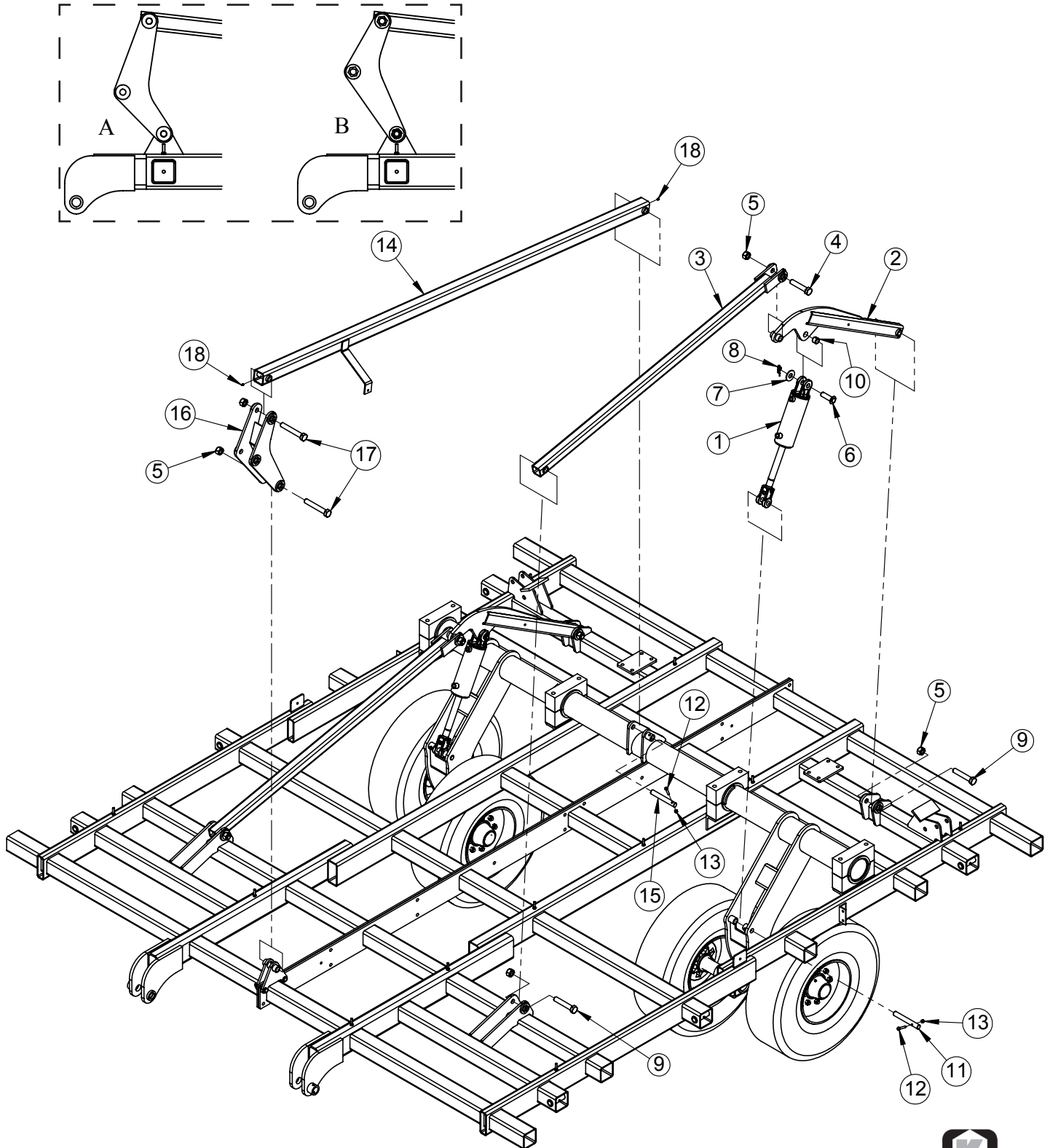
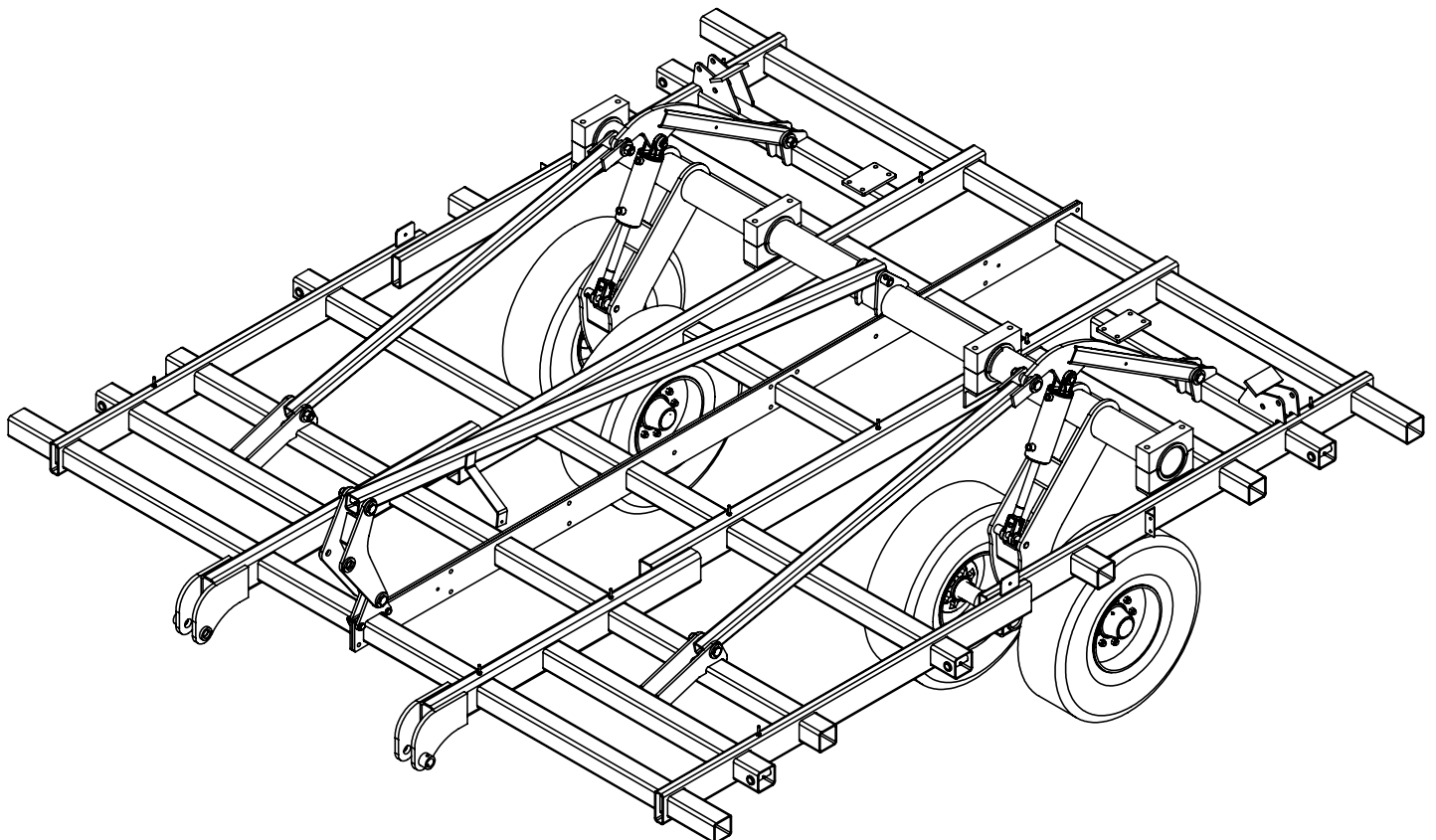


Fig.	Part no.	Qty	Description
1	7600474664	2	Cylinder 3 3/4" X 8" Welded Rephase - Monarch
2	760032057	2	Cylinder Linkage Wdmt
3	760032056	2	Leveling Linkage Tube Wdmt
4	600356101	2	Bolt, 1" X 5" GR. 5
5	600366032	8	Nut, Toplock 1"
6	7600383204	2	Pin 1" - 75MM
7	600381018	2	Flat Washer 1"
8	600383117	2	Ring Cotter Clip 1"
9	600356029	4	Bolt, 1" X 5-1/2" GR.5
10	7600383216	2	Spring Bushing 1"
11	760031113	2	Rockshaft Cylinder Pin
12	600356111	3	Bolt, 3/8" X 2" GR.5
13	600366028	3	Nut, Toplock 3/8"
14	760032061	1	Leveling Tube Wdmt
15	760031114	1	Leveling Link Pin
16	760032062	1	Leveling Linkage Wdmt
17	7600355110	2	Bolt, 1" X 6-1/2" GR.8 Special
18	600471000	2	Grease Fitting



# Fold Cylinder Mount Assembly

## Instructions:

- Hardware included in bag 760033028
- Attach fold cylinder mount as shown, using hardware on next page.

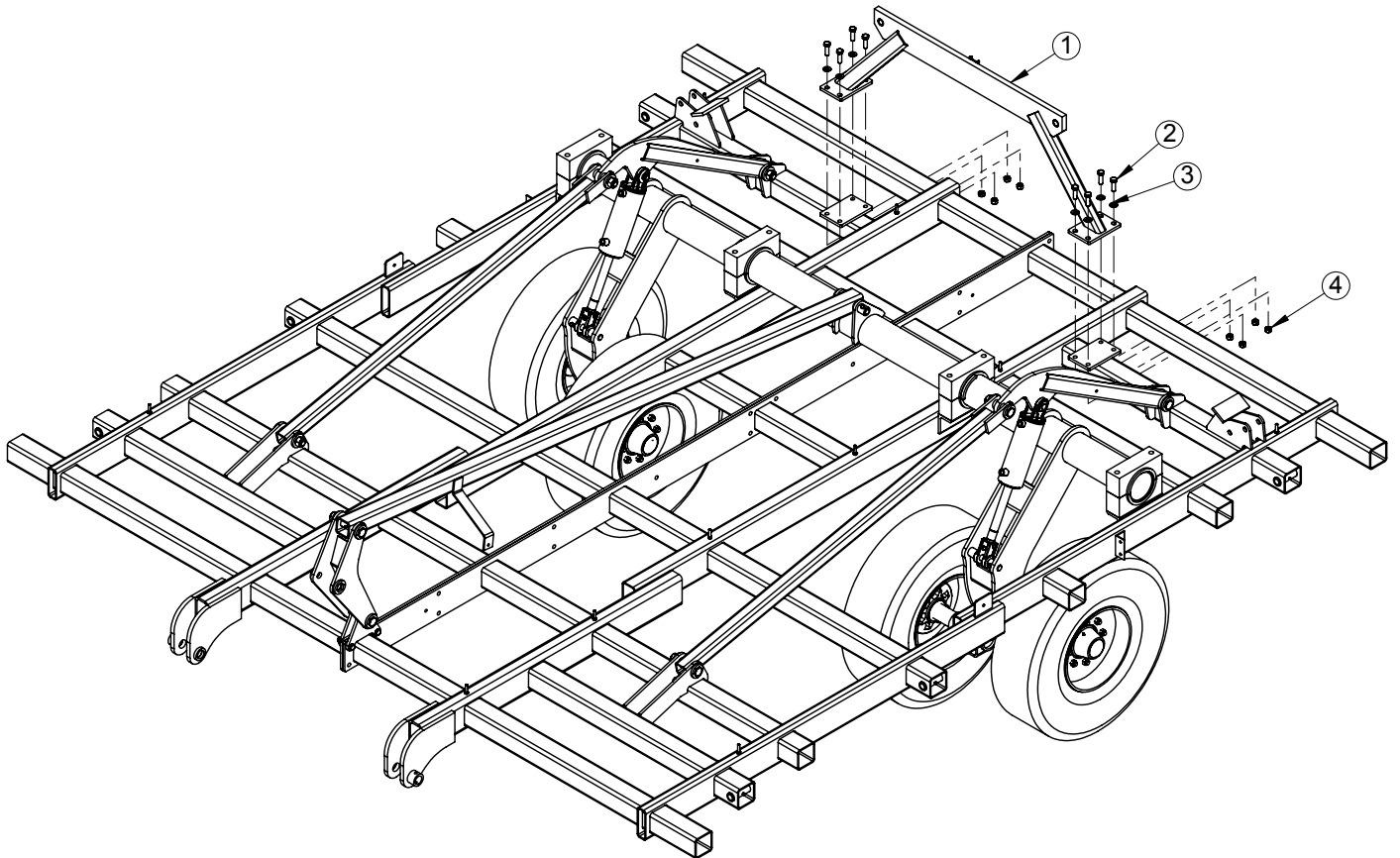
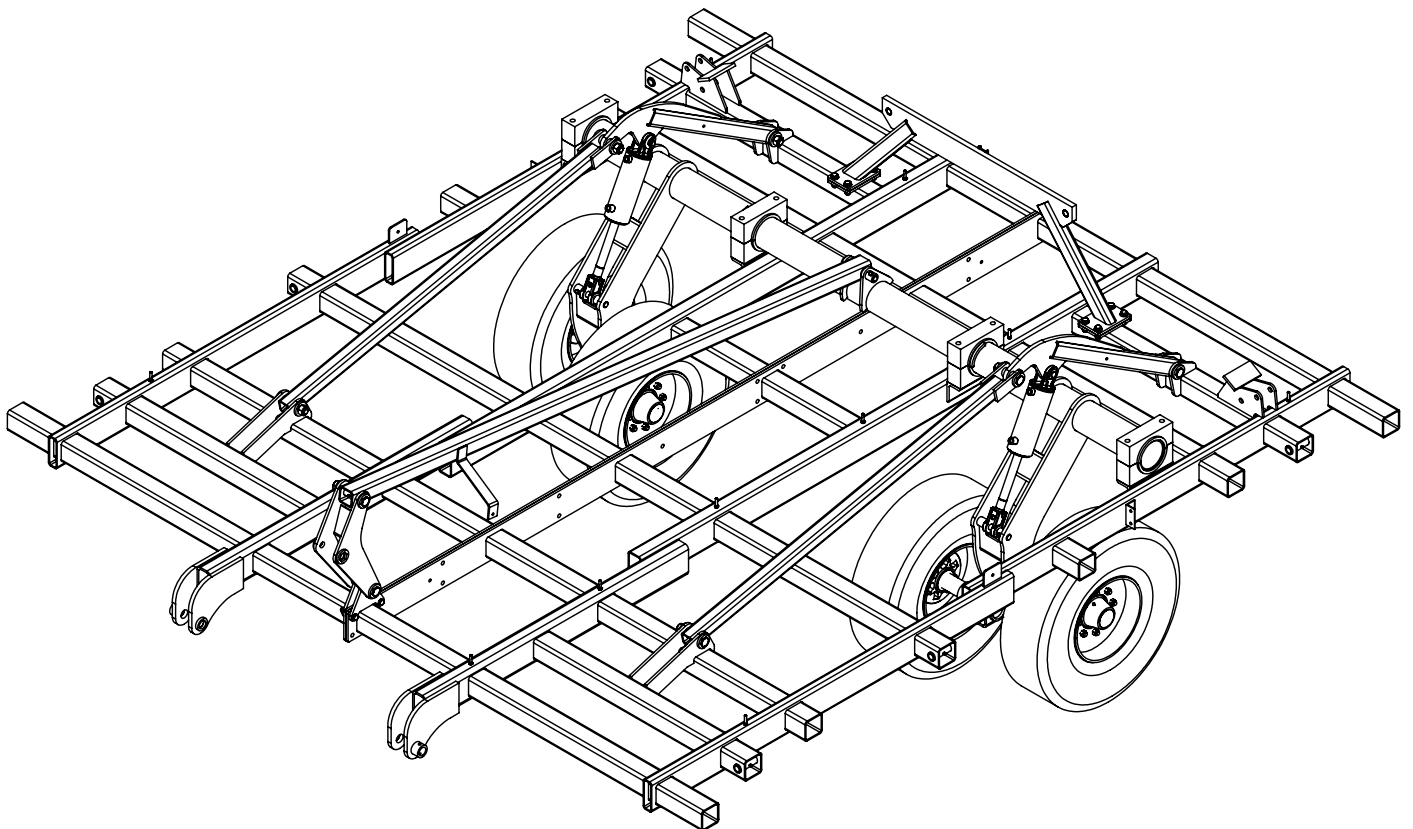


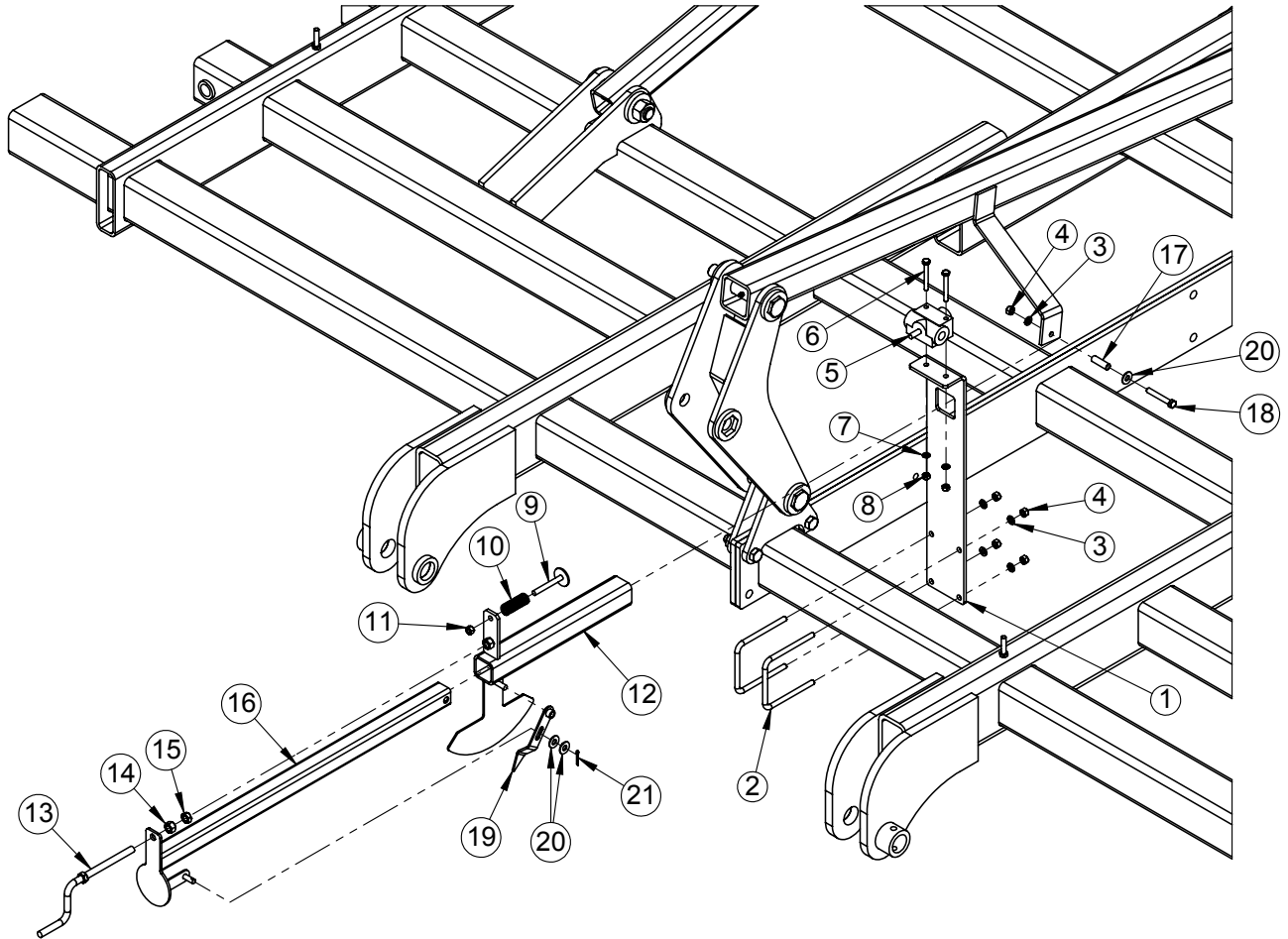
Fig.	Part no.	Qty	Description
1	760032020	1	Fold Cylinder Base Mount Wdmt
2	600355028	8	Bolt, 5/8" X 2" GR. 8
3	600381052	8	Flat Washer 5/8" - SAE
4	600366031	8	Nut, Toplock 5/8"



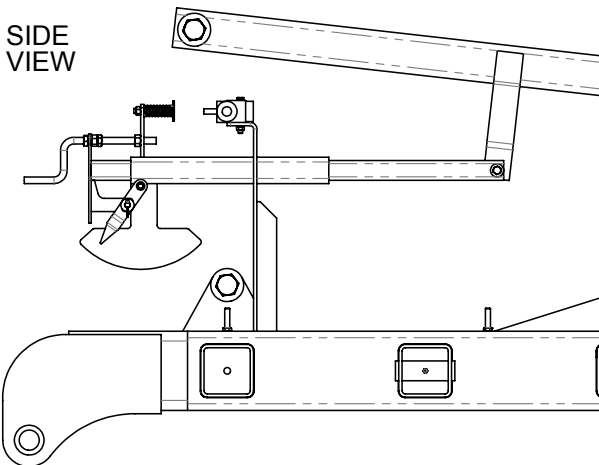
# Single Point Assembly

## Instructions:

- Hardware included in bag 760033016
- Assemble upright bracket and valve to frame as shown, using hardware listed on next page. Bracket should be placed 8" from center frame rail.
- Assemble striker bolt and spring to outer tube wdmt. Insert inner tube through outer tube and connect together with crank. Attach depth indicator to assembly.
- Insert assembly through upright bracket and connect to leveling tube.



SIDE VIEW



FRONT VIEW

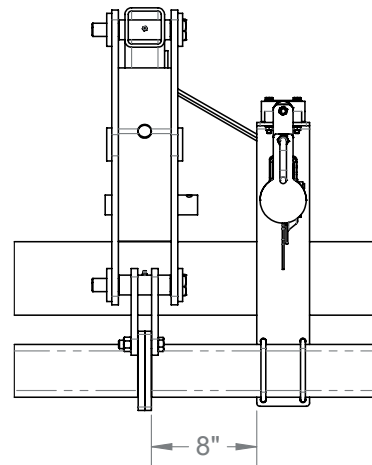
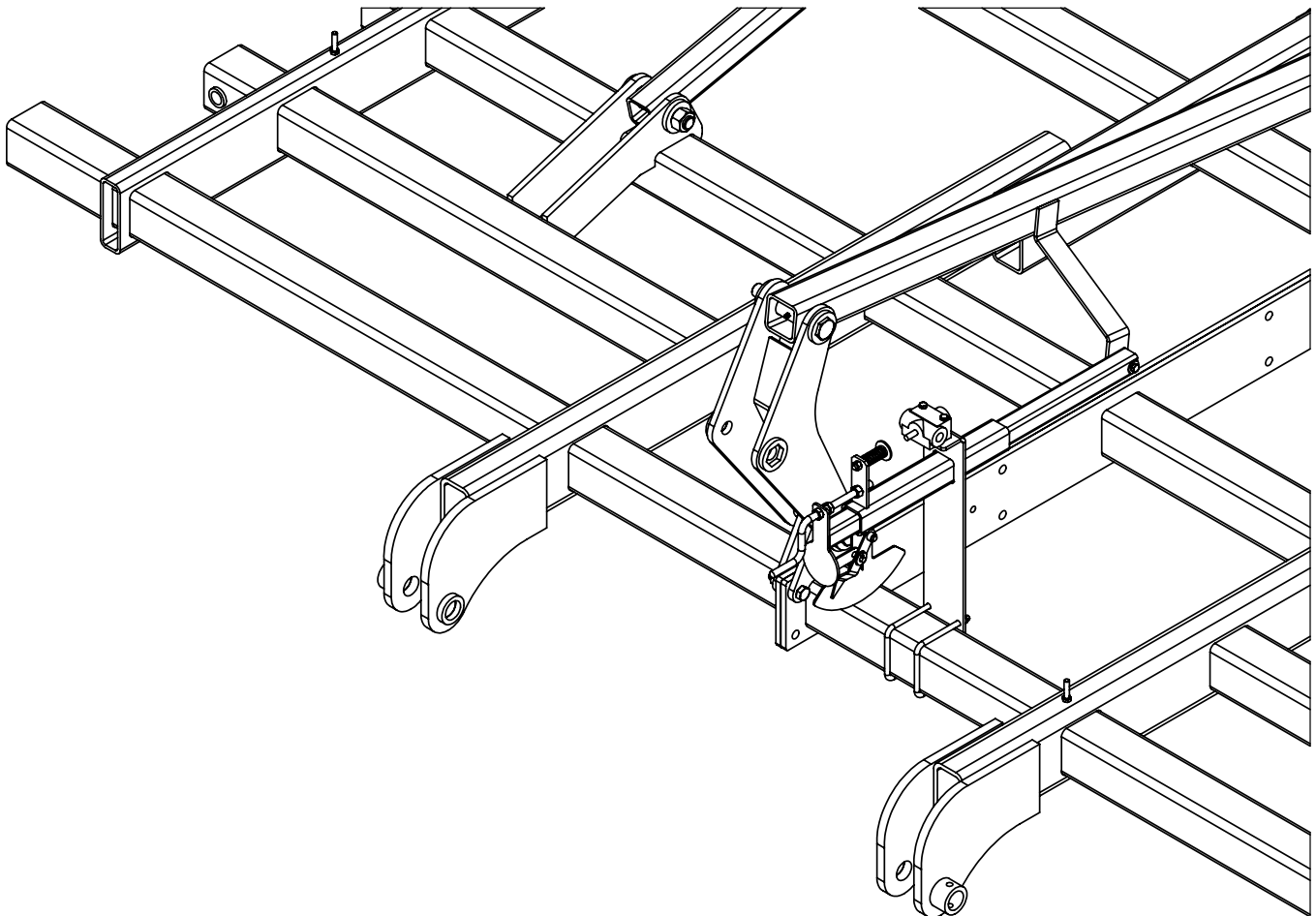




Fig.	Part no.	Qty	Description
1	760032021	1	Single Point Upright Wdmt
2	76101322	2	U-Bolt, 3/8"-16 X 4" X 5"
3	600382051	5	Lockwasher 3/8"
4	600365008	5	Nut, 3/8"
5	7600470491	1	Single Point Valve
6	600356148	2	Bolt, 5/16" X 2-1/2" GR. 5
7	600382050	2	Lockwasher, 5/16"
8	600365007	2	Nut, 5/16"
9	601140555	1	Striker Bolt 3/8" X 3
10	601140556	1	Striker Spring
11	600366028	1	Nut, Toplock 3/8"
12	760032022	1	Single Point Outer Tube Wdmt
13	760032038	1	Single Point Crank
14	600365009	1	Nut, 1/2"
15	7600365078	1	Jam Nut, 1/2"
16	760032023	1	Single Point Inner Tube Wdmt
17	760031121	1	Single Point Tube Spacer
18	600356007	1	Bolt, 3/8" X 2-1/2" GR. 5
19	760032027	1	Single Point Depth Indicator Wdmt
20	600381006	3	Flatwasher, 3/8"
21	600383037	1	Cotter Pin 1/8" X 1"



# Light Stands & Safety Locks Assembly

## Instructions:

-Hardware included in bags 760033014 & 760033015

-For ease of installation attach light stands and safety locks to center frame before attaching wing frames.

-**IMPORTANT:** Light tubes should be mounted on stands as far inwards as possible to avoid interference with some wing sizes.

-Disconnect safety pin chain from split ring and route chain through base of plates as shown below. Reconnect chain to split ring to secure pin to frame.

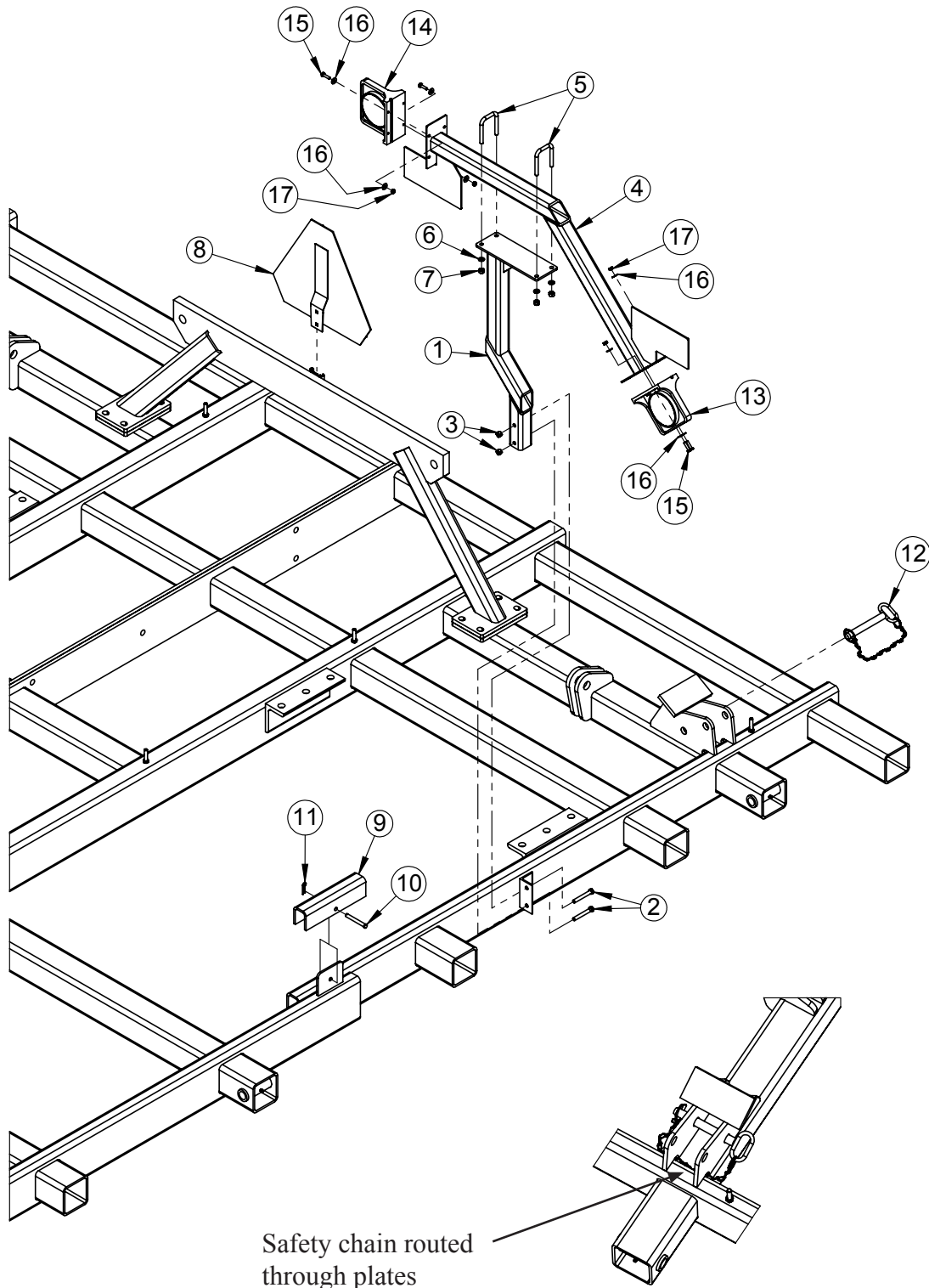
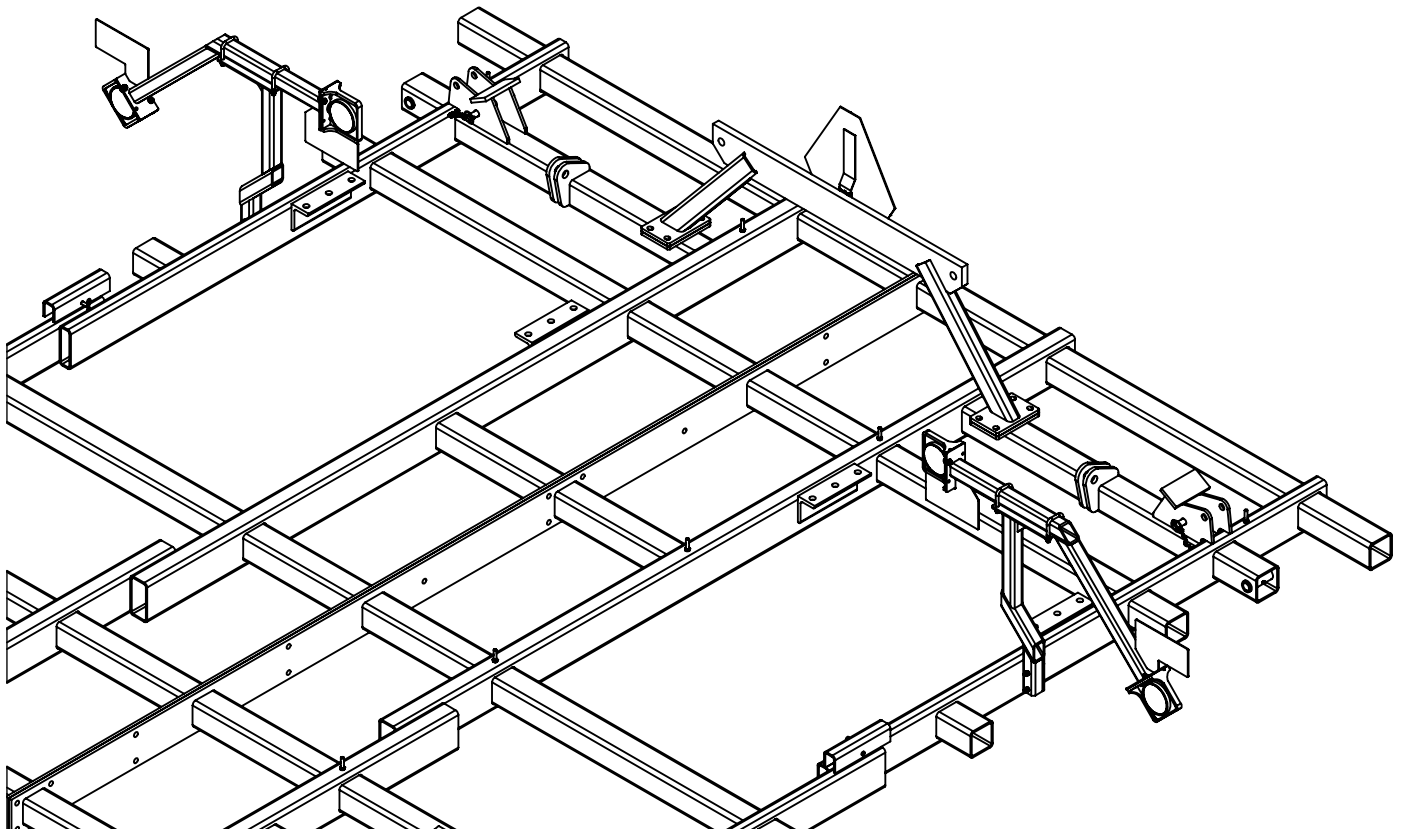


Fig.	Part no.	Qty	Description
1	760032024	2	Light Stand Wdmt
2	7600356163	4	Bolt, 3/8" X 2-3/4" GR. 5
3	600366028	4	Nut, Toplock 3/8"
4	760032025	2	Light Tube Wdmt
5	7600373128	4	U-Bolt, 3/8" X 2" X 3"
6	600382051	8	Lockwasher, 3/8"
7	600365008	8	Nut, 3/8"
8	601140845	1	SMV Sign
9	764000831	2	8" Stroke Cylinder Safety Lock
10	600383141	2	Clevis Pin, 3/8" X 3"
11	600383142	2	Hair Pin, 3/32" X 1-1/2"
12	7600383208	2	Safety Pin w/Chain
13	-	2	Amber Flashing Light (included in Light Kit 760033006)
14	-	2	Red Tail/Brake Light (included in Light Kit 760033006)
15	600356138	8	Bolt, 1/4" X 1" GR. 5
16	600381023	16	Flat Washer, 1/4"
17	600366026	8	Nut, Toplock 1/4"



# Hitch & Turnbuckle Assembly

## Instructions:

-Hardware included in bags 760033012, 760033014, 760033015 & 760033016

(The hitch and components can be installed before or after the wing frames have been assembled to the center frame.)

-Attach hitch, turnbuckle and components to center frame as shown, using hardware listed on next page.

-Turnbuckle should be installed with an initial pin-pin length of about 104-1/2".

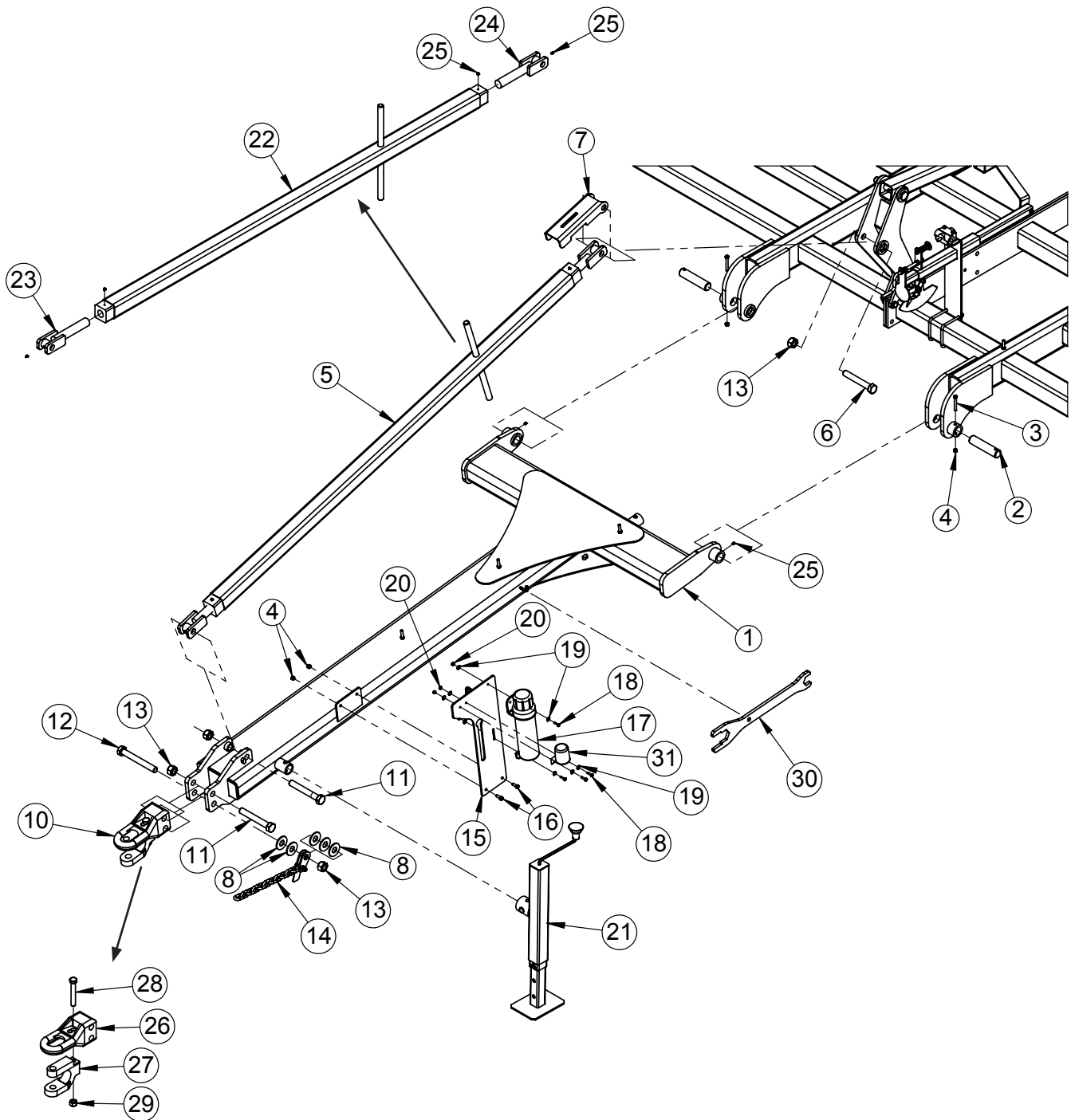
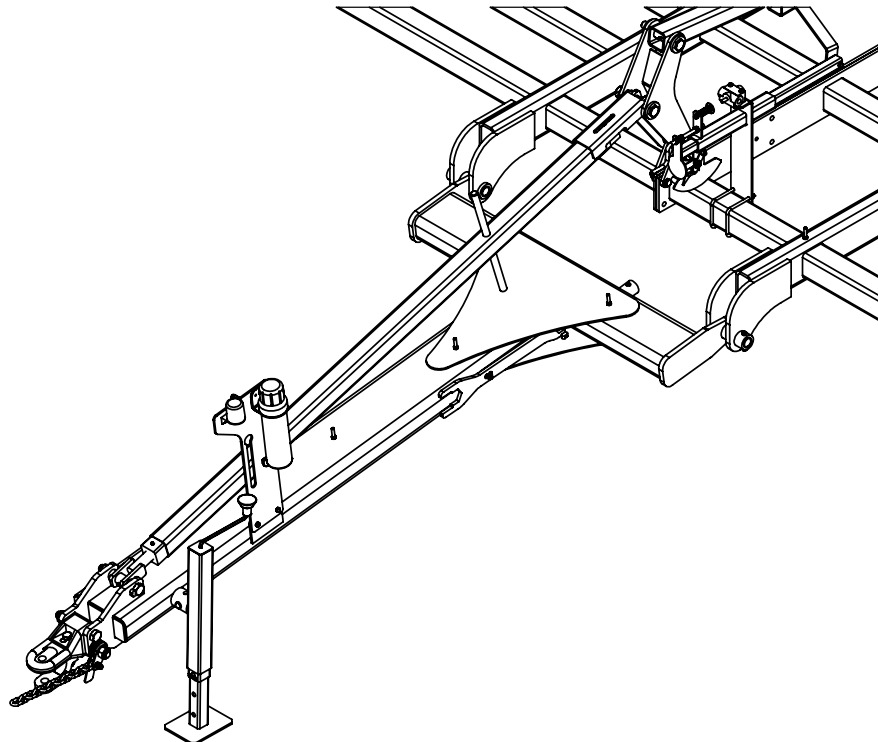


Fig.	Part no.	Qty	Description
1	760032015	1	Hitch Wdmt
2	760031082	2	Hitch Pivot Pin
3	7600356163	2	Bolt, 3/8" X 2-3/4" GR. 5
4	600366028	4	Nut, Toplock 3/8"
5	760033027	1	Turnbuckle Assembly (Includes Items 22-25)
6	7600355110	1	Bolt, 1" X 6-1/2" GR.8 Special
7	760031186	1	Turnbuckle Latch
8	600381018	5	Flat Washer, 1"
9	-	-	-
10	601140769	1	CAT II/III Combo Double Clevis - 2" (Includes Items 26-29)
	601140770	-	CAT IV Pindle Style - 2 1/4" (no clevis)
11	600355025	2	Bolt, 1" X 7" GR. 8
12	600355027	1	Bolt, 1" X 8" GR. 8
13	600366032	4	Nut, Toplock 1"
14	600461011	1	ASAE Safety Chain Assembly
15	760032039	1	Hydraulic Hose Support Wdmt
16	600356020	2	Bolt, 3/8" X 1" GR. 5
17	600600268	1	Manual Canister
18	600356138	2	Bolt, 1/4" X 1" GR. 5
19	600381023	8	Flat Washer, 1/4"
20	600366026	4	Nut, Toplock 1/4"
21	601231223	1	Jack TWL 190 DL-B
22	760032066	1	Turnbuckle Wdmt
23	760032064	1	Turnbuckle Clevis RH
24	760032065	1	Turnbuckle Clevis LH
25	600471000	6	Grease Fitting
26	601140771	1	CAT III Base Hitch
27	601140772	1	CAT III Clevis Insert
28	600355047	1	Bolt, 3/4" X 5" GR. 8
29	600366024	1	Nut, Toplock 3/4"
30	760031152	1	Adjustment Wrench
31	760001005	1	Socket, 7 Pin Light Plug Storage



# Wing Frame Assembly

## Instructions:

- Hardware included in bags 760033013 & 760033020
- Bolt together wing frames as shown, using hardware listed on next page, and then attach to center frame. Use steel shop stands to support the wings until lift and fold hydraulics are installed and working.
- Repeat for opposite side

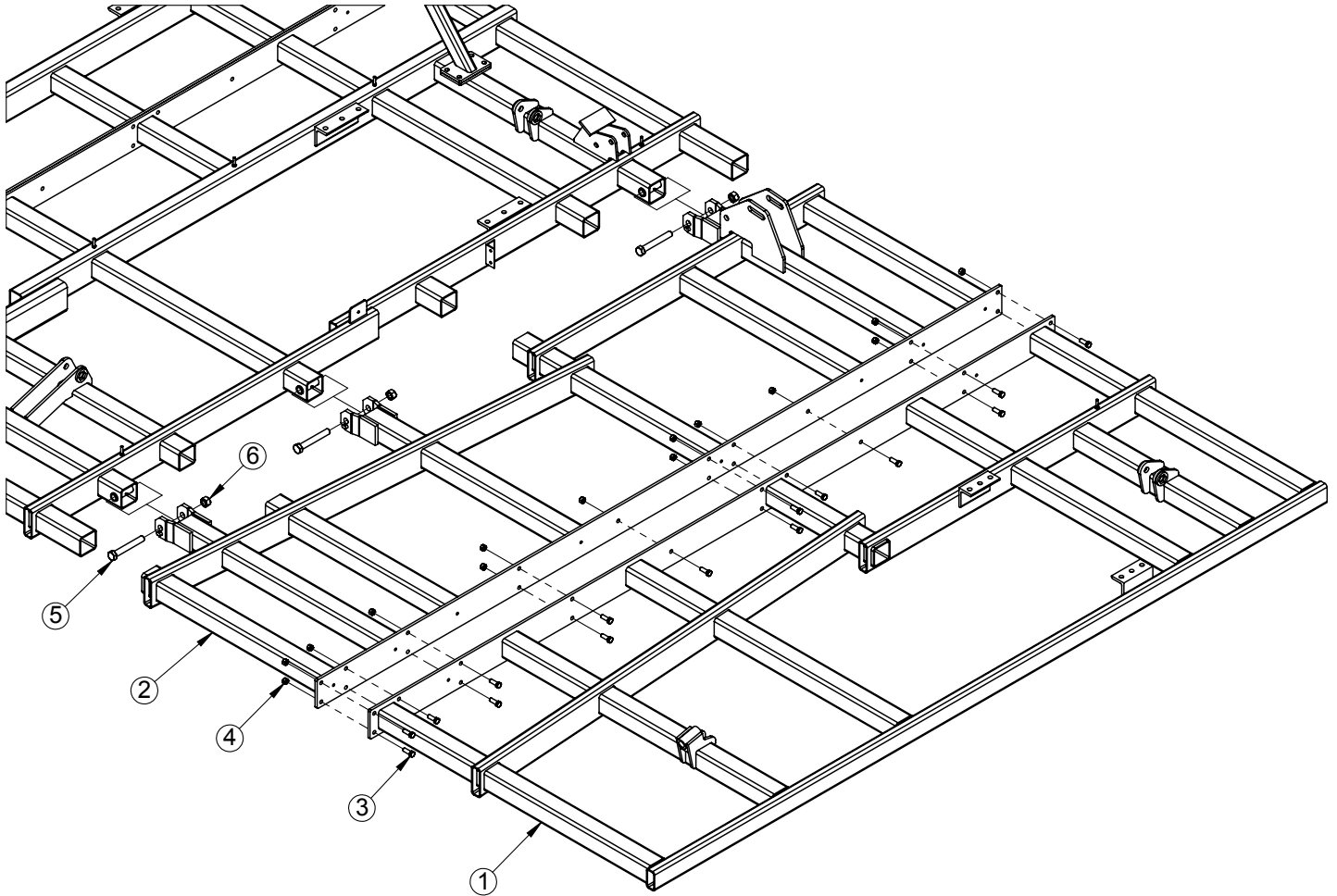
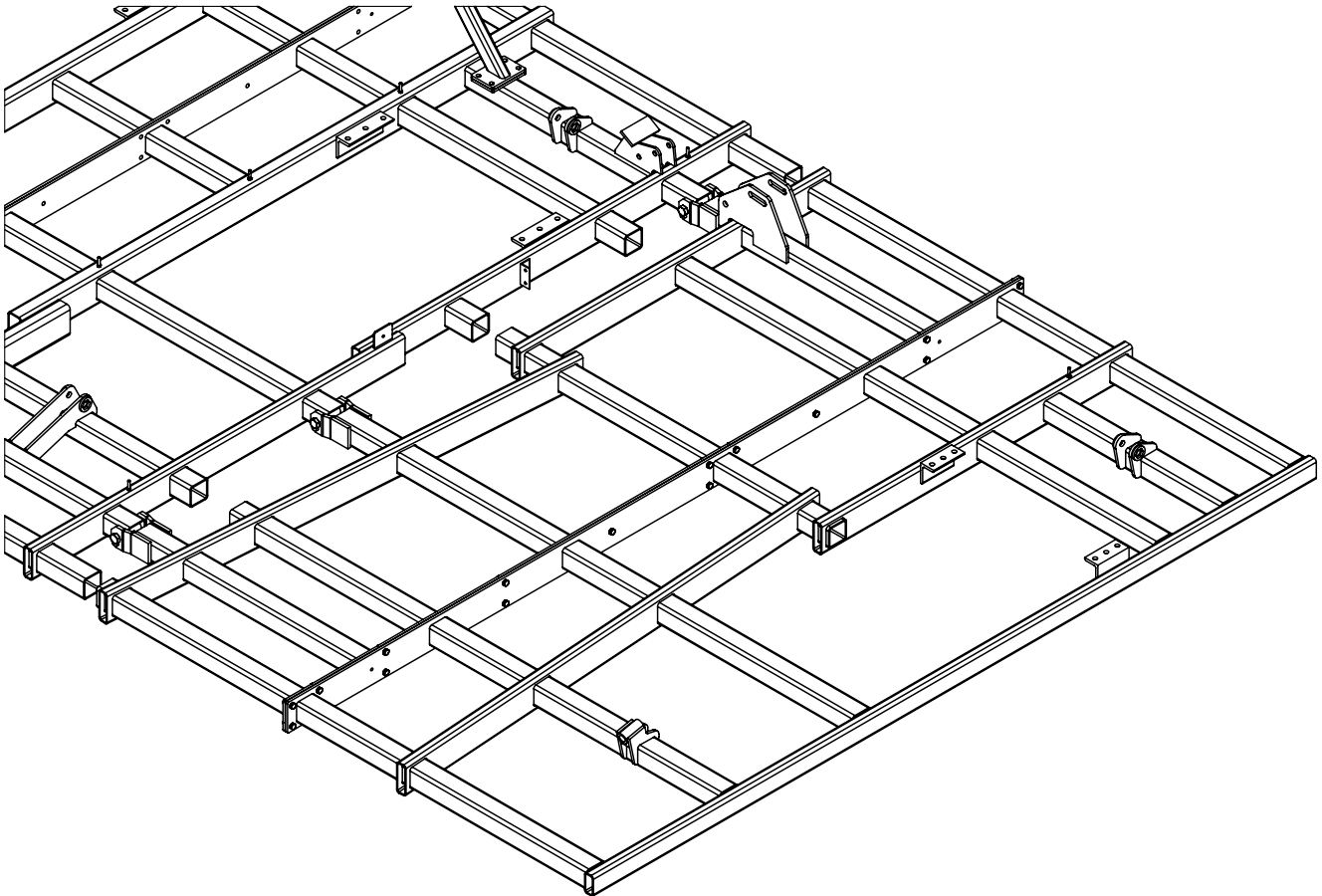


Fig.	Part no.	Qty	Description
1	760032002	1	5.5' Outer Wing Frame Wdmt, LH (Models 8228, 8230, 8232, 8236)
	760032030	1	7' Single Wing Frame Wdmt, LH (Model 8226)
1b	760032006	1	5.5' Outer Wing Frame Wdmt, RH (Models 8228, 8230, 8232, 8236) (not shown)
	760032031	1	7' Single Wing Frame Wdmt, RH (Model 8226) (not shown)
2	760032068	1	6.5' Inner Wing Frame Wdmt, LH (Model 8236)
	760032004	1	4.5' Inner Wing Frame Wdmt, LH (Model 8232)
	760032003	1	3.5' Inner Wing Frame Wdmt, LH (Model 8230)
	760032028	1	2.5' Inner Wing Frame Wdmt, LH (Model 8228)
2b	760032069	1	6.5' Inner Wing Frame Wdmt, RH (Model 8236) (not shown)
	760032007	1	4.5' Inner Wing Frame Wdmt, RH (Model 8232) (not shown)
	760032005	1	3.5' Inner Wing Frame Wdmt, RH (Model 8230) (not shown)
	760032029	1	2.5' Inner Wing Frame Wdmt, RH (Model 8228) (not shown)
3	600356023	36	Bolt, 5/8" X 1 3/4" GR. 5
4	600366031	36	Nut, Toplock 5/8"
5	600355025	6	Bolt, 1" X 7" GR. 8
6	600366032	6	Nut, Toplock 1"



## Fold Cylinder Assembly

### Instructions:

- Hardware included in bag 760033014
- Attach fold cylinders to center and wing frames as shown, using parts listed on next page.
- On base end of cylinders, use pins which comes with cylinders - pins shown are for repair only.
- 8236 machine includes dual fold cylinders.

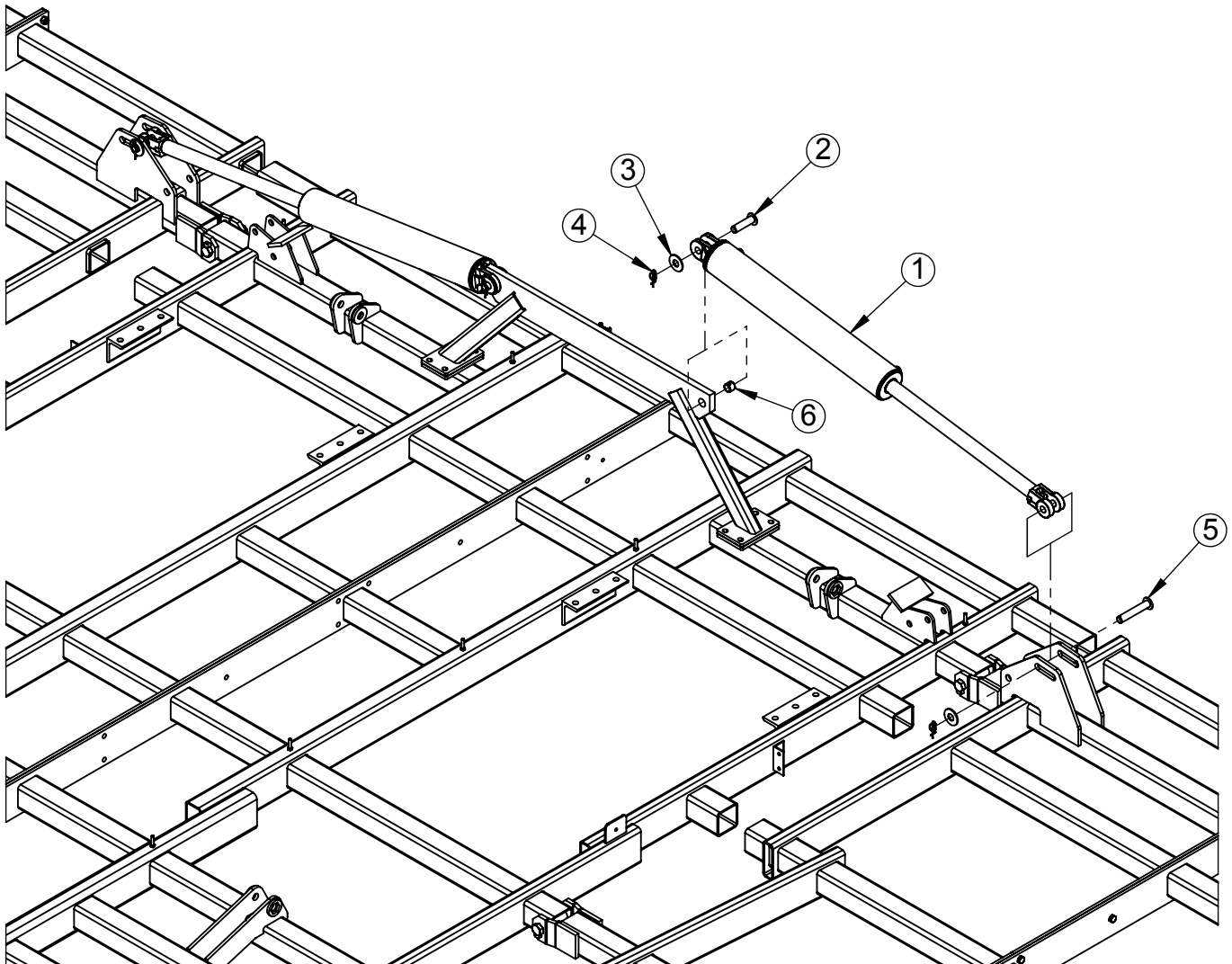
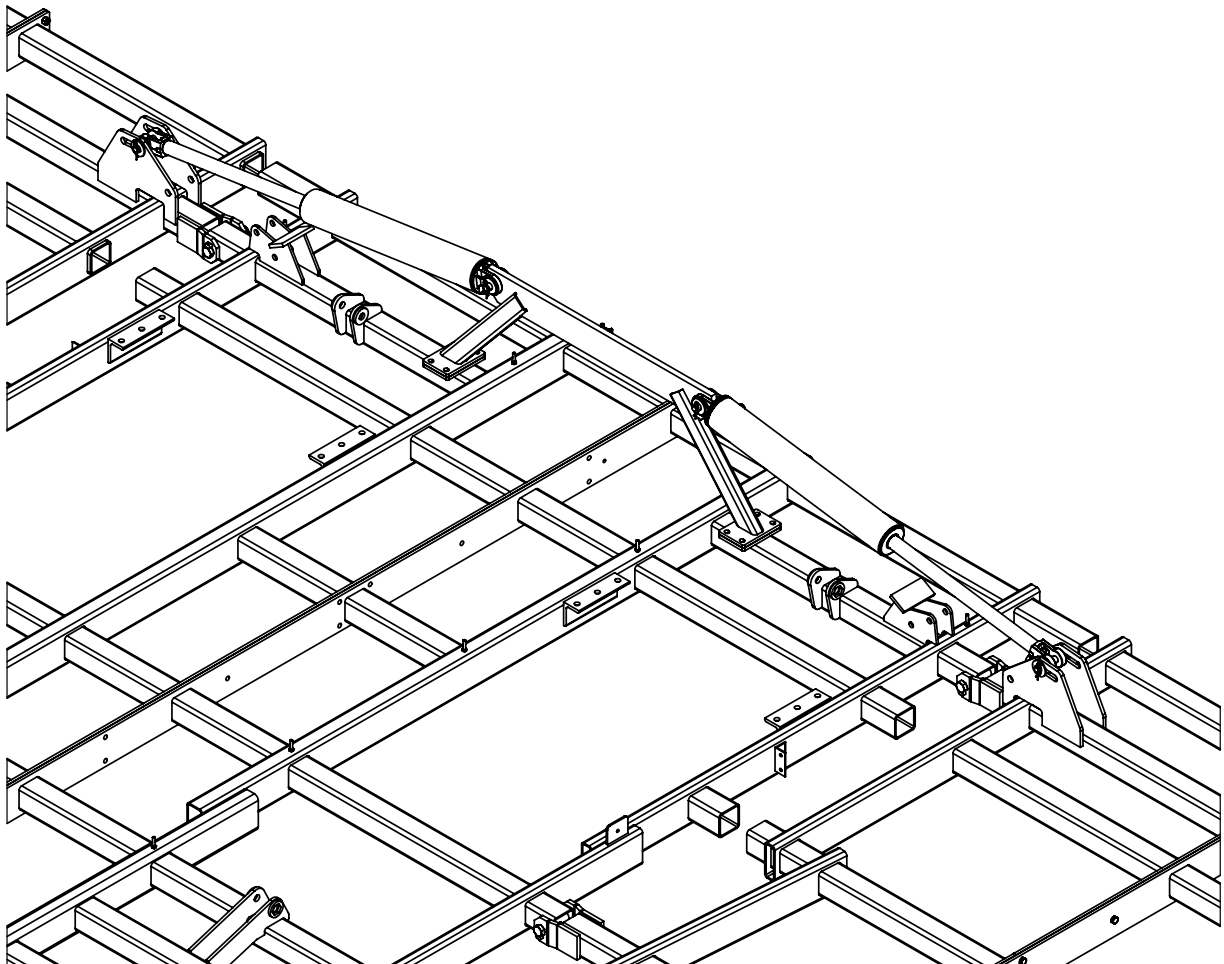




Fig.	Part no.	Qty	Description
1	7600474667	2	Cylinder 4 1/2" X 30" Welded - Monarch (Model 8232)
	7600474666	2(4)	Cylinder 4" X 30" Welded - Monarch (Models 8236, 8230, 8228, 8226)
2	600383136	2(4)	Pin 1" - 85MM
3	600381018	4(8)	Flat Washer, 1"
4	600383117	4(8)	Ring Cotter Clip, 1"
5	7600383205	2(4)	Pin, 1" - 135MM
6	7600383216	2(4)	Spring Bushing, 1"
		(#)	Quantity for Model 8236



# Wing Rockshaft Assembly

## Instructions:

- Hardware included in bag 760033013
- Assemble rockshaft, spindles and wheels to wing frame as shown, using parts listed on next page.
- Spindles and wheels can be installed to rockshaft assembly before or after rockshaft is attached to the frame
- IMPORTANT: Install wheels to the spindles so the wheel rims are offset toward the wheel arms (Narrow setting). Torque lug bolts to 125 ft-lbs. Re-torque lug bolts after ten hours of field use.
- Repeat for opposite side

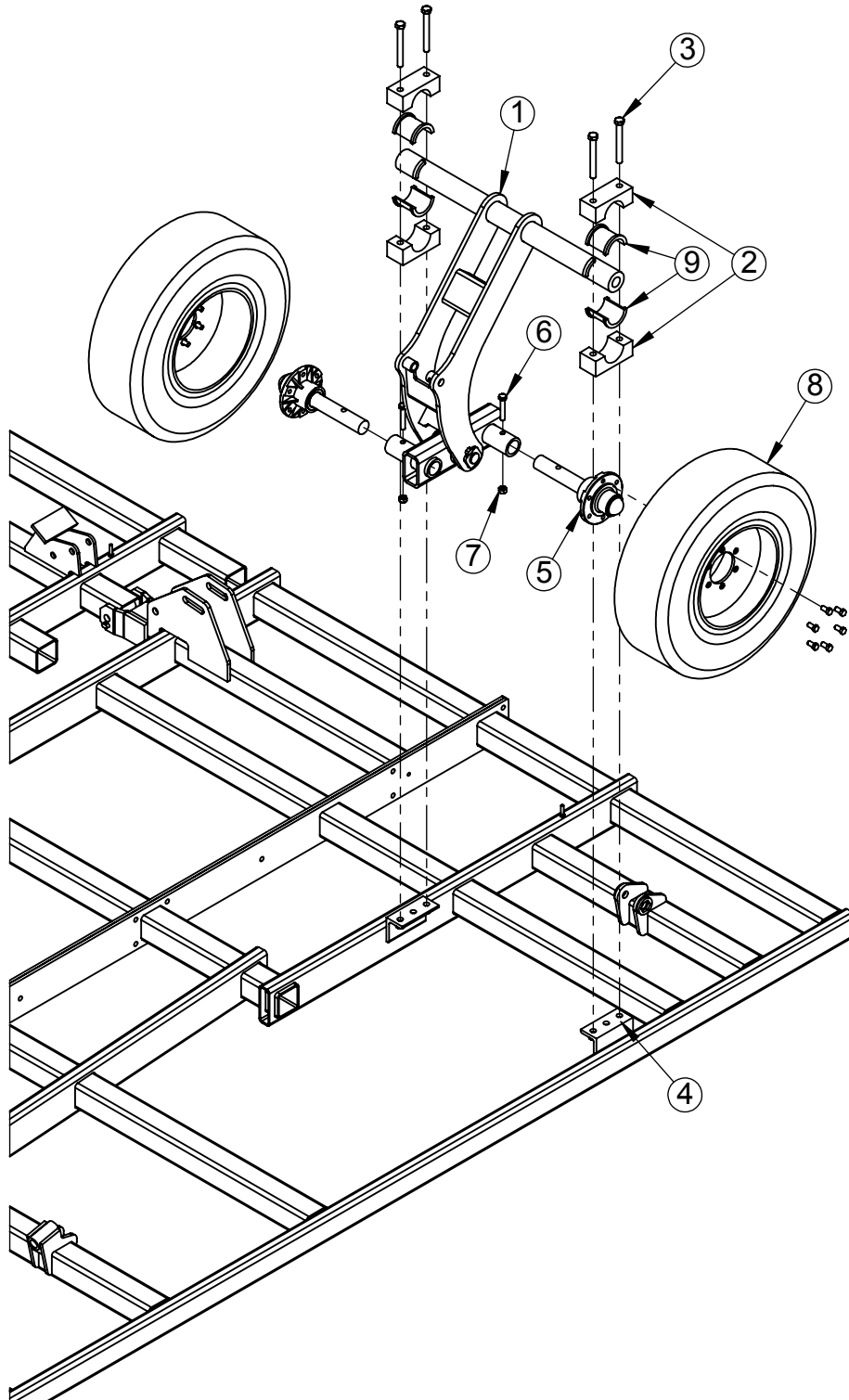
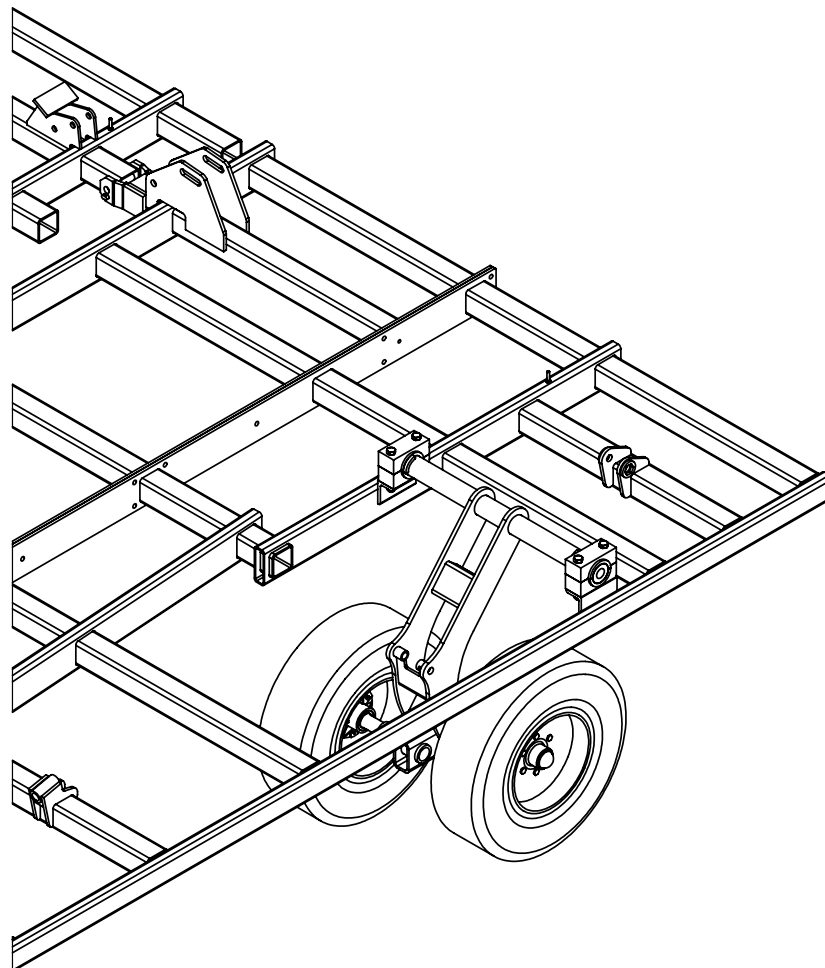


Fig.	Part no.	Qty	Description
1	760033004	1	Wing Rockshaft Assembly LH
	760033005	1	Wing Rockshaft Assembly RH (not shown)
2	760031218	8	Wing Rockshaft Block
	760031083	-	Wing Rockshaft Block (Old - used w/o sleeves)
3	600355026	8	Bolt, 3/4" X 6-1/2" GR. 8
4	600366024	8	Nut, Toplock 3/4"
5	763011121	4	6 X 6 Hub (G35-6) & Spindle Assembly
6	600356116	4	Bolt, 5/8" X 3-1/2" GR. 5
7	600366031	4	Nut, Toplock 5/8"
8	600473104	4	Wheel Assembly 9.5L-15 Galaxy (6-Bolt)
9	760031219	8	Wear Sleeve Half

See following page for part details



# Wing Rockshaft Parts

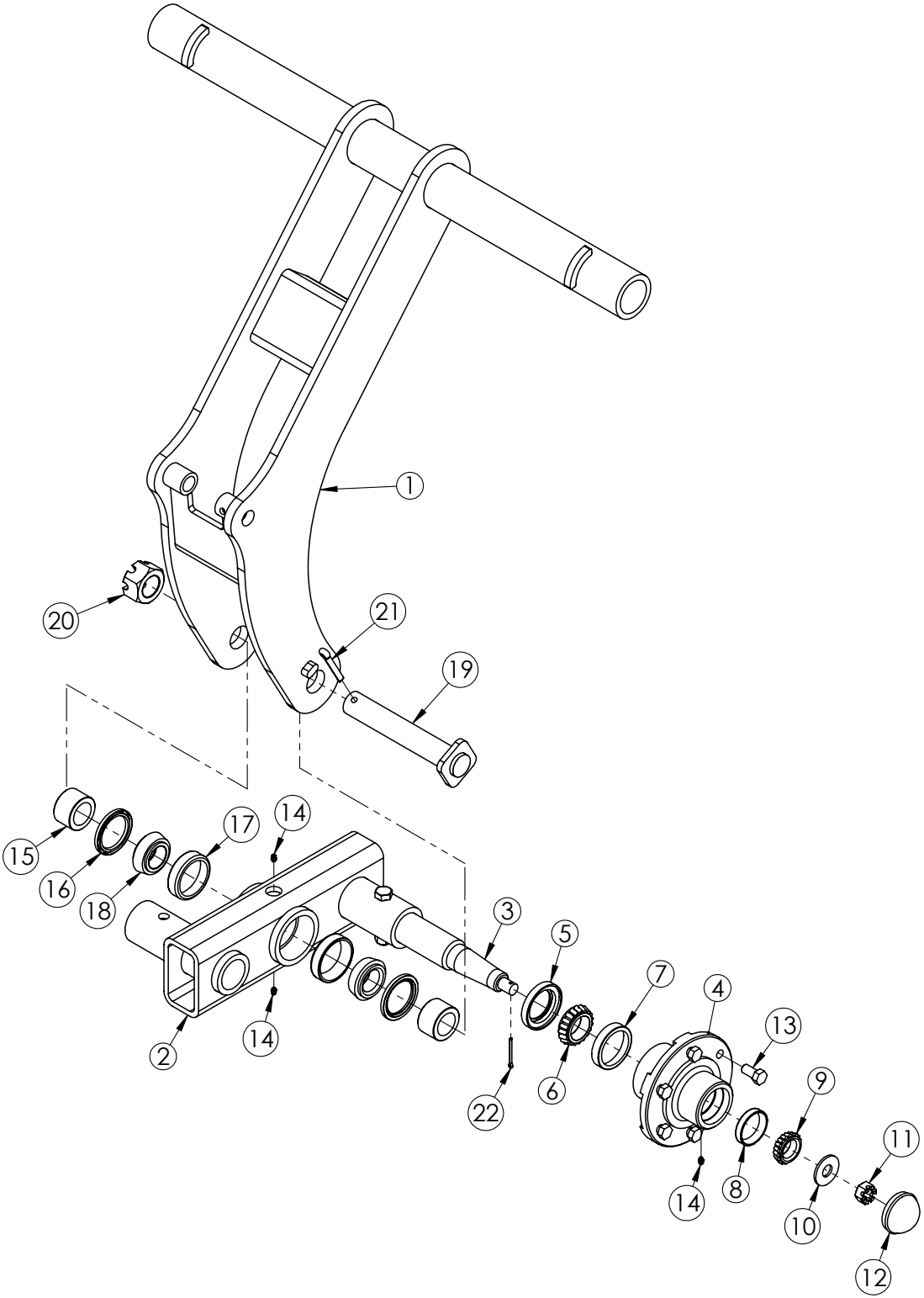
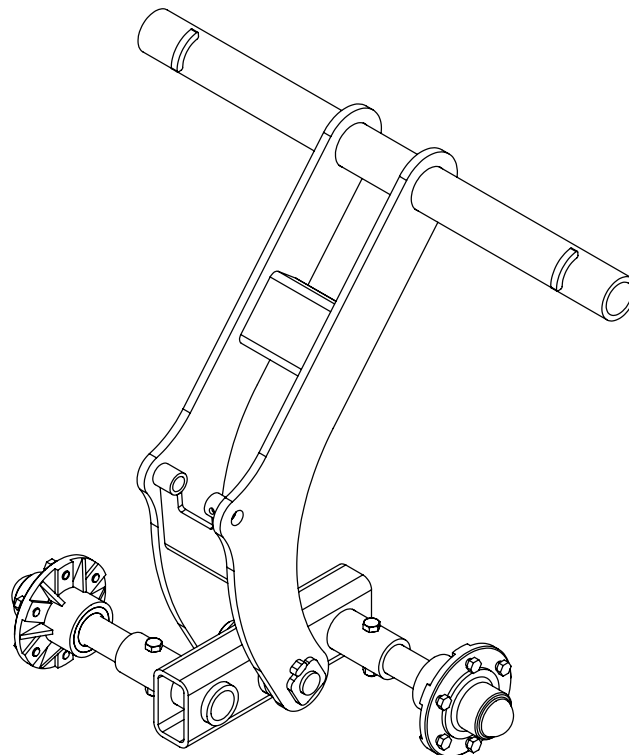


Fig.	Part no.	Qty	Description
1	760032009	1	Wing Rockshaft Wdmt
2	760032011	1	Wing Tandem Wdmt
3	763012199	2	Spindle 2" O.D. x 15" w/Hole
-	763012198	2	Spindle 2" O.D. x 15" w/Hole Complete (Includes Items 3, 10, 11, 22)
4	763011269	2	6 Bolt Hub - 6" Bolt Circle G35-6 (Includes Items 4, 7, 8, 13, 14)
-	763011609	2	G35-6 Hub Assembly Complete (Includes Items 4-9, 12-14)
5	7600473135	2	Seal, 2" w/Spring & Alternate Lip
6	76301129	2	Bearing - LM501349
7	76301135	2	Bearing Cup - LM501310
8	76301134	2	Bearing Cup - LM67010
9	76301132	2	Bearing Cone - LM67048
10	600381009	2	Flat Washer, 3/4"
11	76301153	2	3/4"-16 UNF Slotted Nut
12	76301143	2	Dust Cap
13	76301151	16	Lug Bolt, 9/16"-18 x 1-1/8"
14	600471000	4	GF-641 Grease Fitting
15	760031111	2	Tandem Spacer
16	7600473113	2	Seal 22368
17	7600473114	2	Bearing Cup, Timken 2720
18	7600473115	2	Bearing Cone, Timken 2776
19	760032026	1	Tandem Pin Wdmt
20	7600366051	1	Slotted Nut, 1-1/2"-12 UNF Plated
21	600383025	1	Cotter Pin, 3/8" x 2-1/2"
22	76101249	2	Cotter Pin, 5/32" x 1-3/4"
			Quantities listed are for each individual part in one complete wing rockshaft assembly



## Wing Lift Cylinder & Linkage Assembly

### Instructions:

- Hardware included in bags 760033013 & 760033014
- Attach lift cylinder and linkage as shown, using parts listed on next page.
- On base end of cylinders, use pins which comes with cylinders - pins shown are for repair only.
- Adjust eyebolt to initial setting of about 4 3/8" as shown on next page.
- Repeat for opposite side.

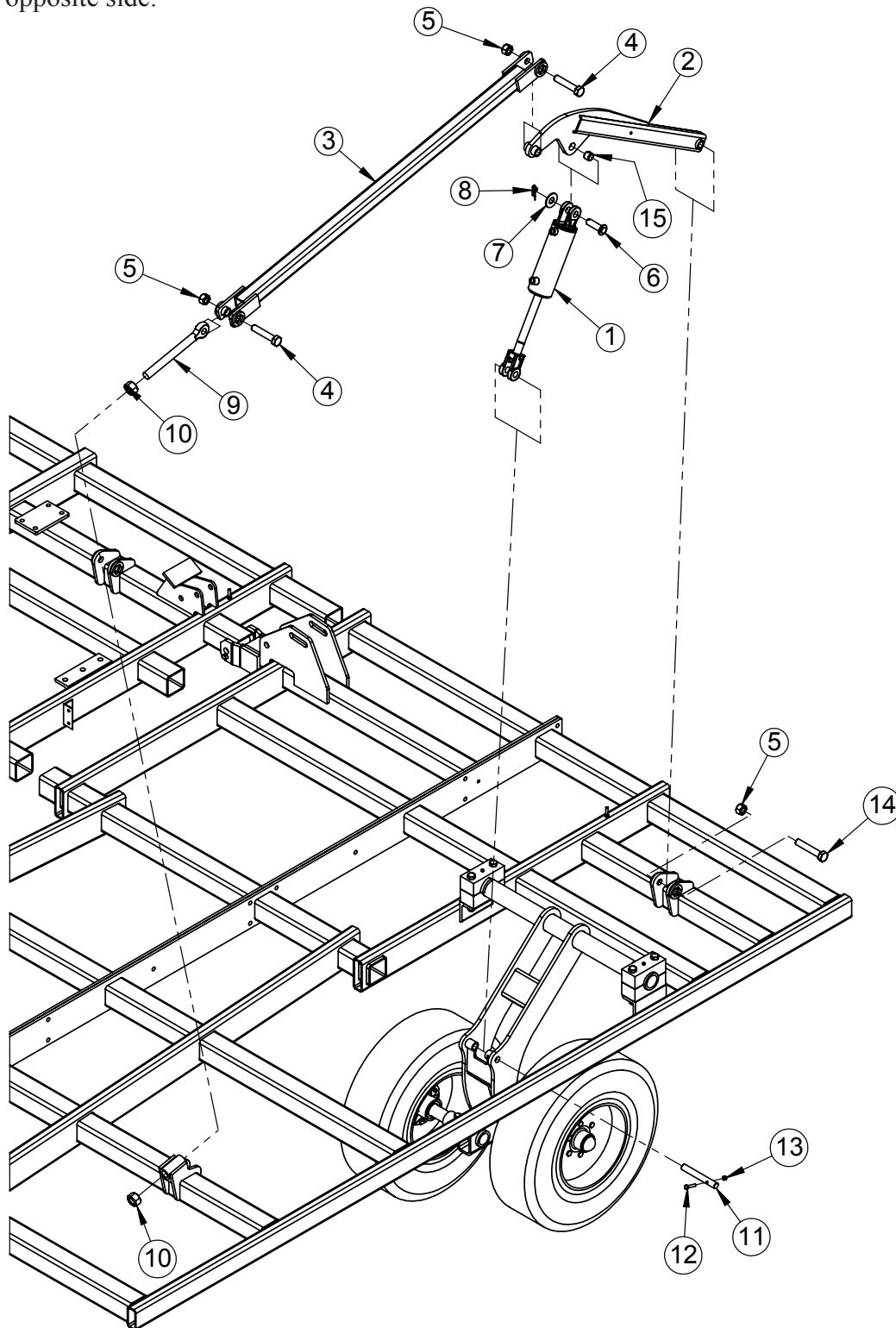
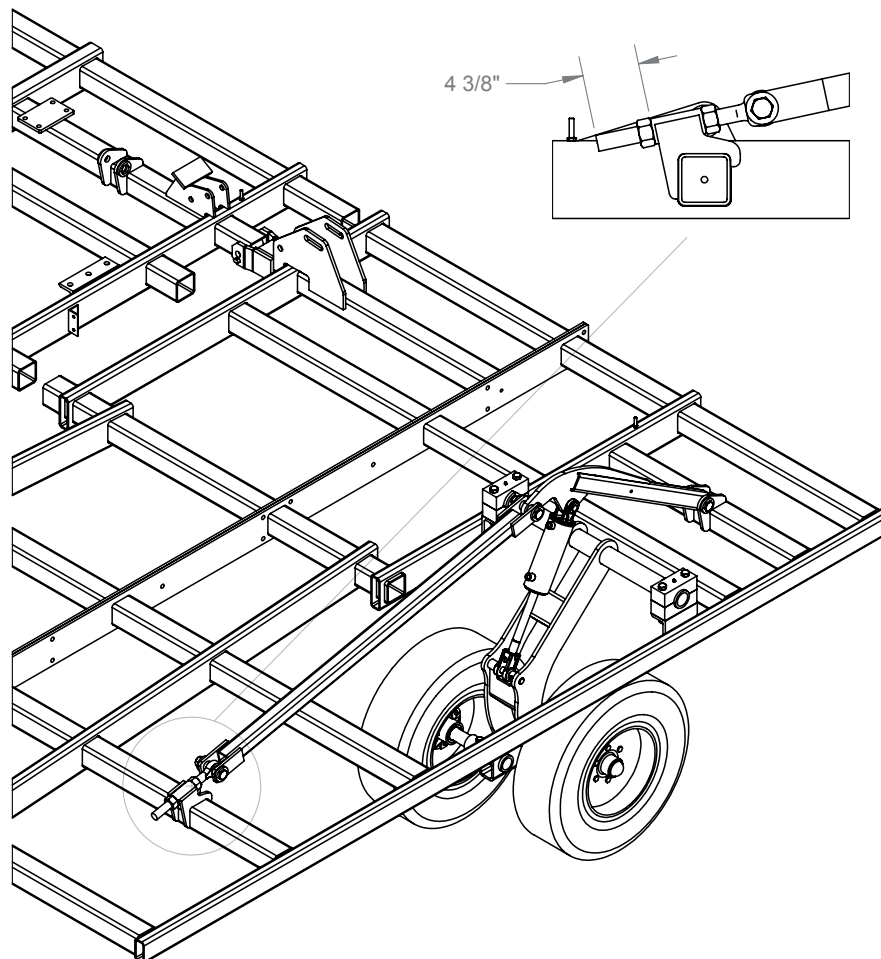


Fig.	Part no.	Qty	Description
1	7600474665	2	Cylinder 3 1/2" X 8" Welded Rephase - Monarch
2	760032057	2	Cylinder Linkage Wdmt
3	760032059	2	Leveling Linkage Tube Wdmt
4	600356101	4	Bolt, 1" X 5" GR. 5
5	600366032	6	Nut, Toplock 1"
6	7600383204	2	Pin, 1" - 75MM
7	600381018	2	Flat Washer, 1"
8	600383117	2	Ring Cotter Clip 1"
9	600373119	2	Eye Bolt, 1 1/4"-7
10	600365064	4	Nut, 1 1/4"-7
11	760031113	2	Rockshaft Cylinder Pin
12	600356111	2	Bolt, 3/8" X 2" GR.5
13	600366028	2	Nut, Toplock 3/8"
14	600356029	2	Bolt, 1" X 5-1/2" GR.5
15	7600383216	2	Spring Bushing 1"



# Vibro Tine Assembly (Option)

## Instructions:

-Install tine/coil assemblies onto cultivator.

-Use tine layouts in Tine & Harrow Layout Manual 760000218 for proper placement.

1. Place coil clamp and bolt onto frame

2. Insert tine/coil assembly through clamp and bolt to frame.

-Tighten bolt so that front of clamp bends down about 10°. See image on next page.

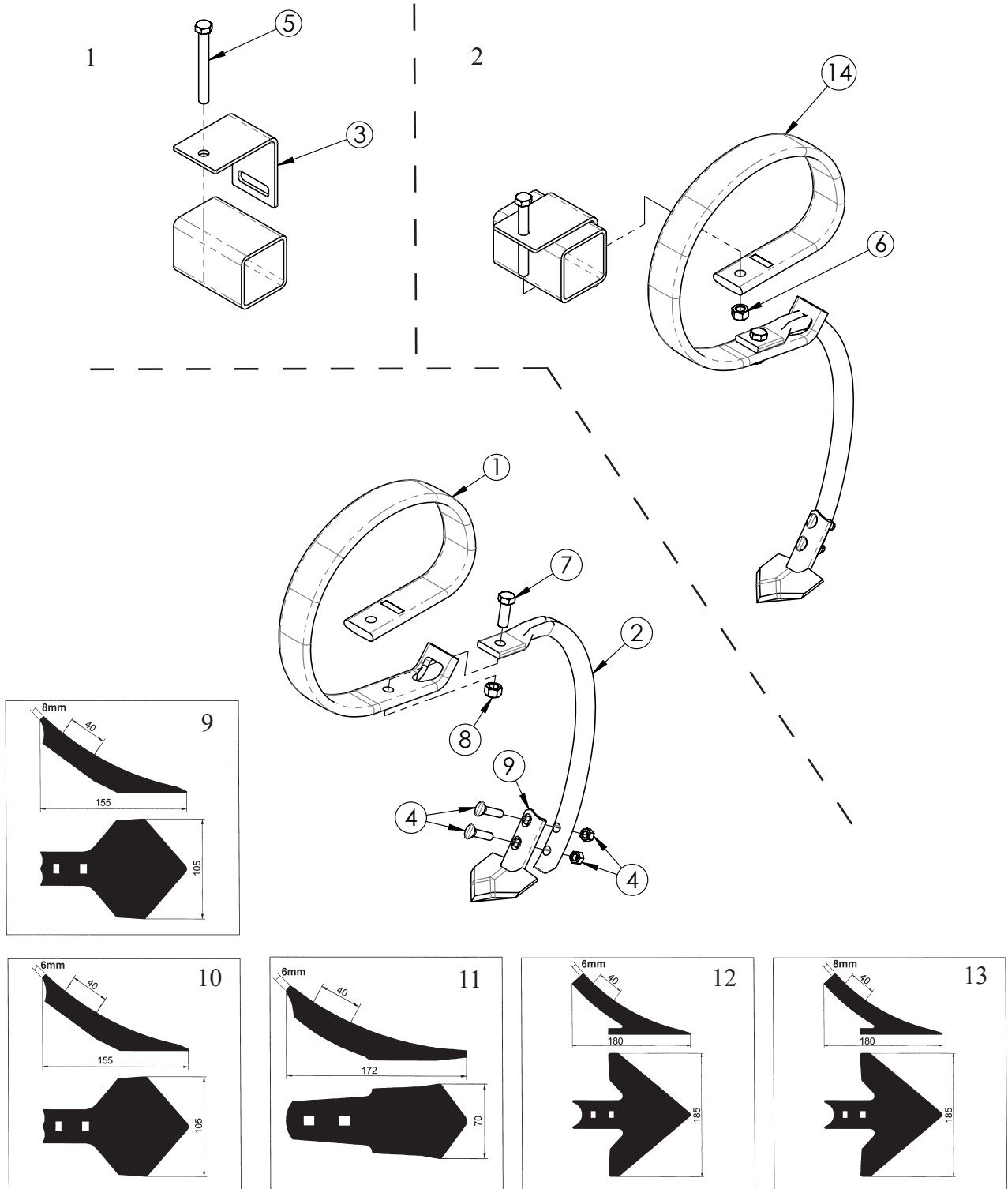
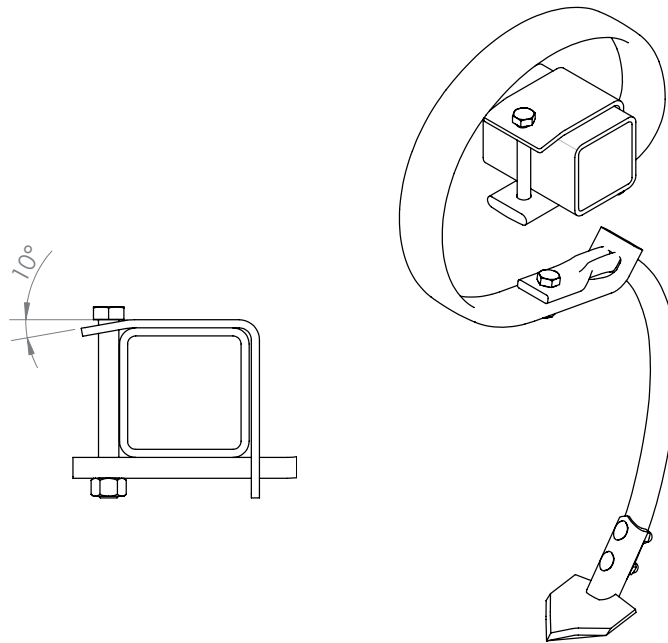




Fig.	Part no.	Qty	Description
1a	101003154	1	16.3mm Coil
1b	101003159	1	13.3mm Coil
2	101000837	1	Stem 50mm x 10mm
3a	760031123	1	16.3mm Coil Clamp
3b	760031122	1	13.3mm Coil Clamp
4	6100323128	2	M12 x 48mm Share Bolt with Hex Nut
5	600355030	1	Bolt, 5/8" x 5-1/2" - UNC Gr.8
6	600366031	1	Nut, Toplock - 5/8" - UNC
7	600373076	1	Bolt, 5/8" x 1-3/4" - UNF Gr.8
8	600366025	1	Nut, Toplock - 5/8" - UNF
9	101002004	1	4" 8mm Heavy Duty Sweep
10	101002003	-	4" 6mm Sweep
11	101002002	-	2-3/4" 6mm Heavy Duty Goosefoot Share
12	101002005	-	7" 6mm Sweep
13	101002006	-	7" 8mm Heavy Duty Sweep
14a	760033023	-	VTH - 16.3mm Tine and Coil Assembly (Includes Items 1a,2,7,8)
14b	760033022	-	VTH - 13.3mm Tine and Coil Assembly (Includes Items 1b,2,7,8)
	760034001	-	VTH - 16.3mm Heavy Duty Tine Package (Includes Items 3a,4,5,6,14a)
	760034000	-	VTH - 13.3mm Standard Duty Tine Package (Includes Items 3b,4,5,6,14b)

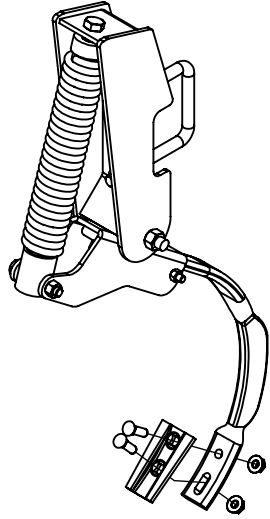


## C-Shank Assembly (Option)

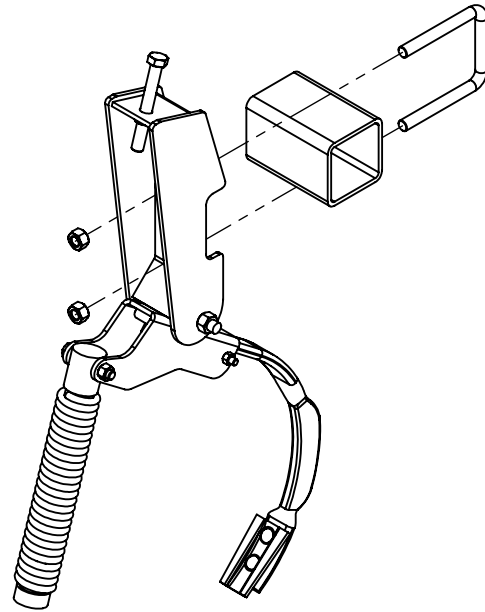
### Instructions:

-Use 6" tine layouts in Tine & Harrow Layout Manual 760000218 for proper placement of shanks.

1. Attach quick change bracket to c-shank assembly.
2. Detach spring from top bolt and install c-shank assembly on implement with u-bolt.
3. Re-attach spring with top bolt and tighten down until there is only a 1/2" gap between the spring insert and tower plate. Lock in place with jam nut.
4. Install quick change spring and sweep using instructions provided with tool.



1.



2.

3.

4.

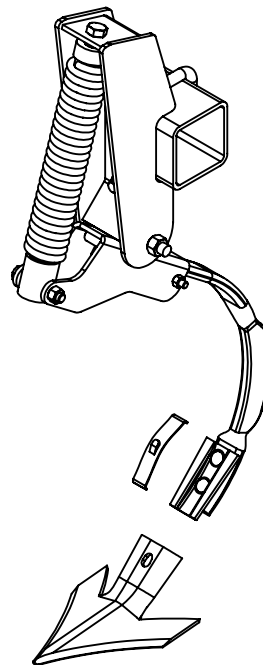
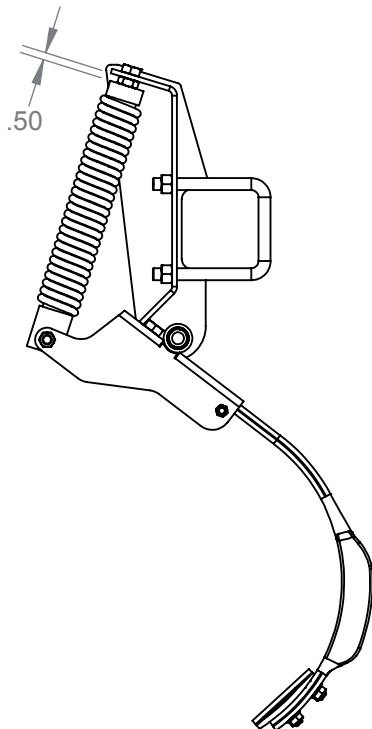
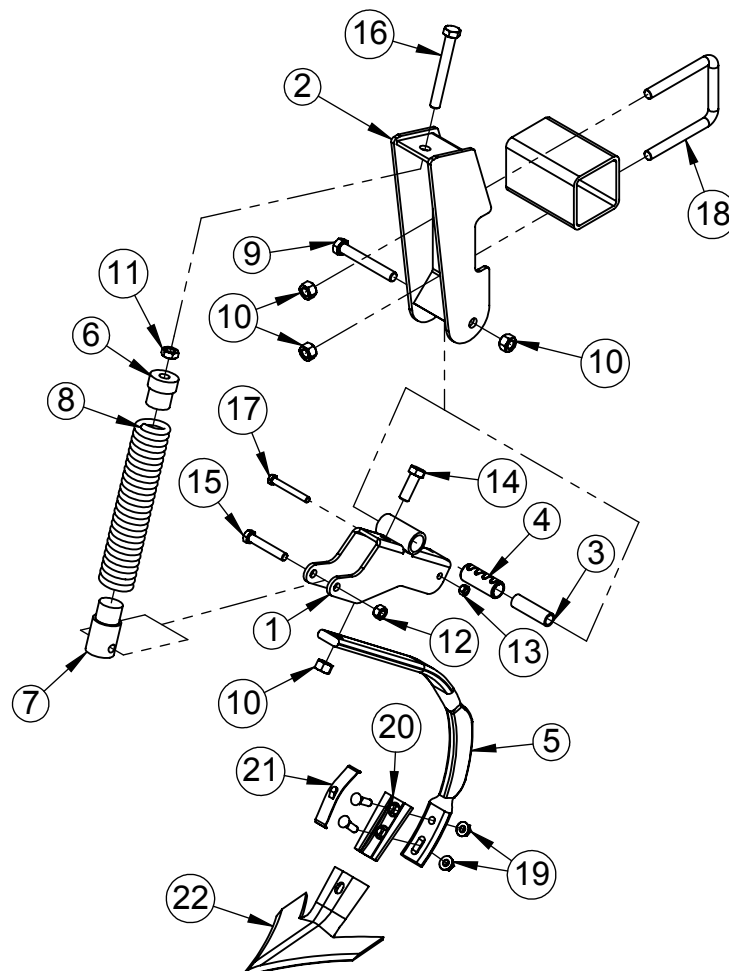


Fig.	Part no.	Qty	Description
1	7601000556	1	Pivot Bracket Wdmt
2	7601000557	1	Tower Wdmt
3	7601000550	1	Inner Pivot Bushing
4	7600383218	1	2-7/8" Connex Bushing
5	601000501	1	C-Shank Stem
6	601000511	1	Spring Insert - Top
7	601000512	1	Spring Insert - Bottom
8	601000510	1	Coil Spring
9	600356014	1	Bolt, 5/8" x 4-1/2" Gr.5, UNC
10	600366031	4	Nut, Toplock - 5/8"
11	600365013	1	Jam Nut, 5/8"
12	600366030	1	Nut, Toplock - 1/2"
13	600366028	1	Nut, Toplock- 3/8"
14	600356023	1	Bolt, 5/8" X 1 3/4" GR. 5
15	600356003	1	Bolt, 1/2" X 3" GR. 5
16	600373072	1	Bolt, 5/8" X 5" Full Thread GR. 5
17	600356019	1	Bolt, 3/8" X 3" GR. 5
18	600373058	1	U-Bolt, 5/8" X 4" X 5 1/2"
19	76101002012	2	7/16" X 1-1/2" Plow Bolt w/nut
20	76101002008	1	Quick Change Bracket
21	76101002010	1	Quick Change Retainer Spring
22	76101002007	1	7" Ultrawing - Quick Change Sweep
	76101002009	-	9" Ultrawing - Quick Change Sweep
23	76101002011	-	Quick Change Tool (not shown)

Items 1-21 included in 760034005 C-Shank Assembly



# Gauge Wheel Assembly

## Instructions:

- Hardware included in bag 760033057
- After tines have been installed, assemble gauge wheel to outer front corner of wing frame as shown, using the parts listed on next page.
- Location will vary depending on tine spacing (gauge wheel not to extend beyond frame edge).
- Repeat for opposite side.

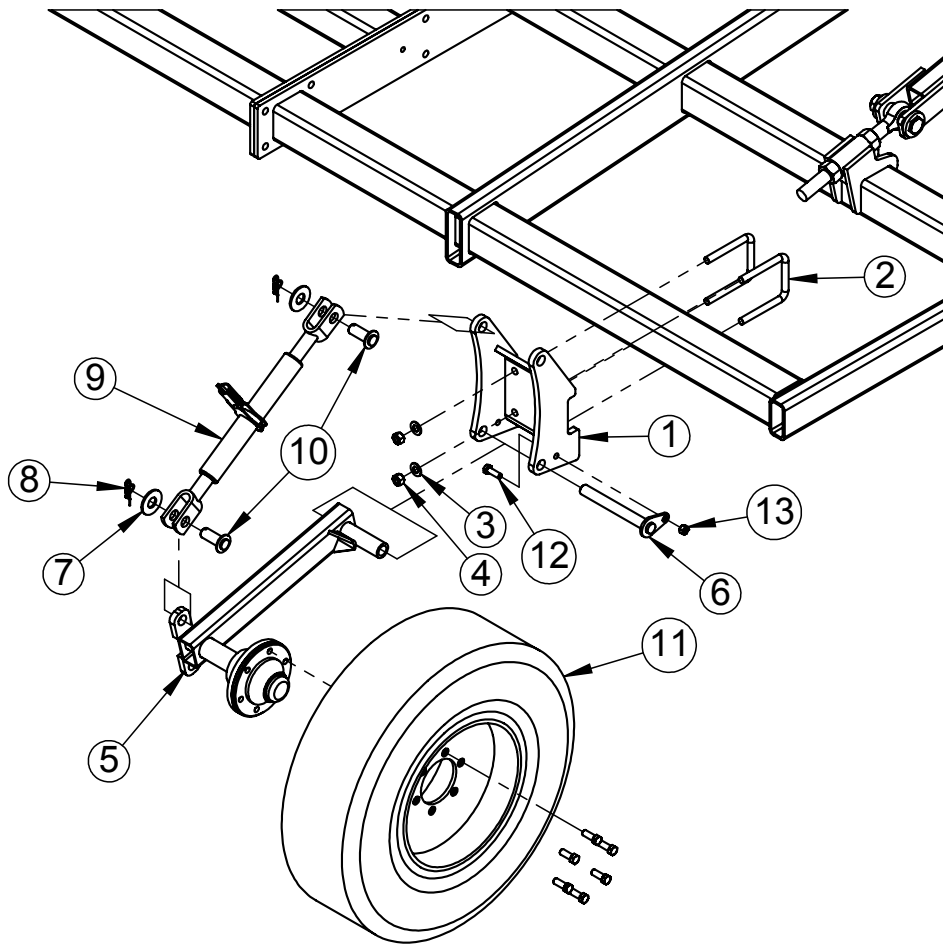
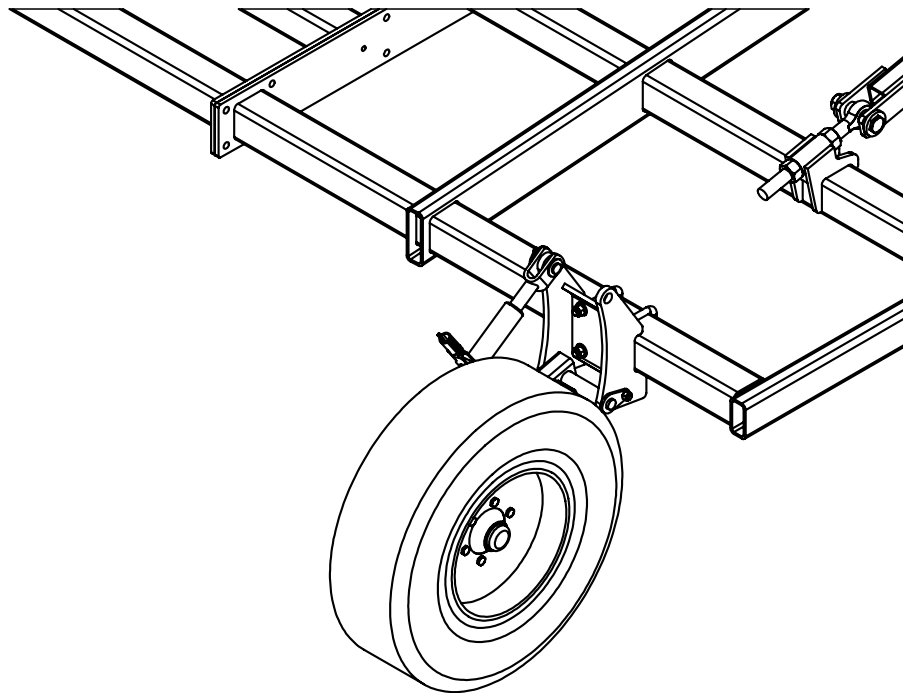
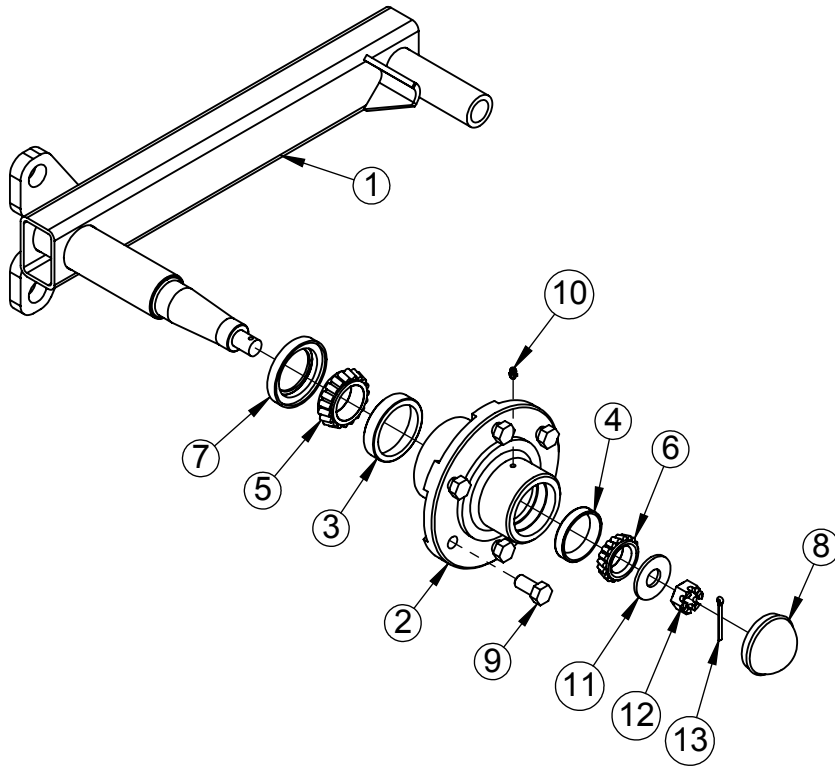


Fig.	Part no.	Qty	Description
1	760032040	2	Gauge Wheel Bracket Mount
2	600373058	4	U-bolt, 5/8" X 4" X 5 1/2"
3	600381052	8	Flat Washer, 5/8" - SAE
4	600366031	8	Nut, Toplock 5/8"
5	760033061	2	Gauge Wheel Arm Assemblby (G35-6 Hub & single piece tab)
	601231421	2	Gauge Wheel Arm Assembly (Old style with two tabs)
6	7600383215	2	Gauge Wheel Pivot Pin 1"
7	600381018	4	Flat Washer, 1"
8	600383117	4	Ring Cotter Clip 1"
9	600600267	2	Turnbuckle - SL154
10	600383108	4	Pin, 1" - 55MM
11	600473104	2	Wheel Assembly 9.5L-15 Galaxy (6-Bolt)
12	600356109	2	Bolt, 1/2" X 1-1/2" GR.5
13	600366030	2	Nut, Toplock 1/2"

See following page for part details



# Gauge Wheel Assembly Parts



## Old Style Arm

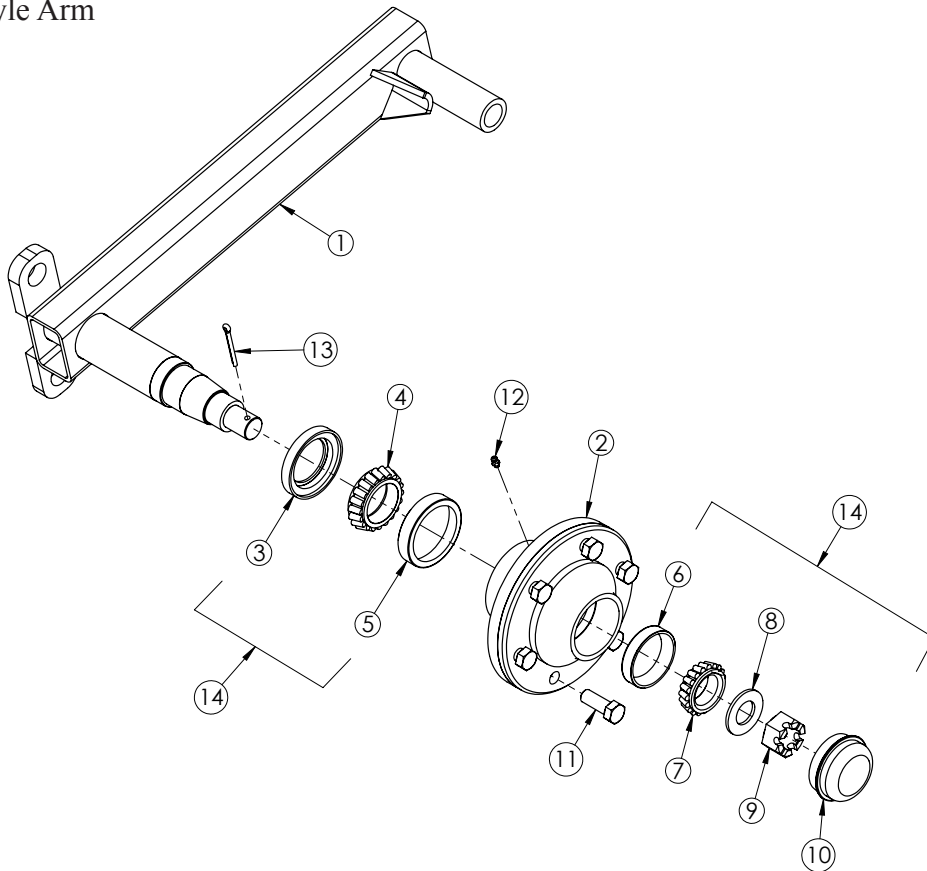
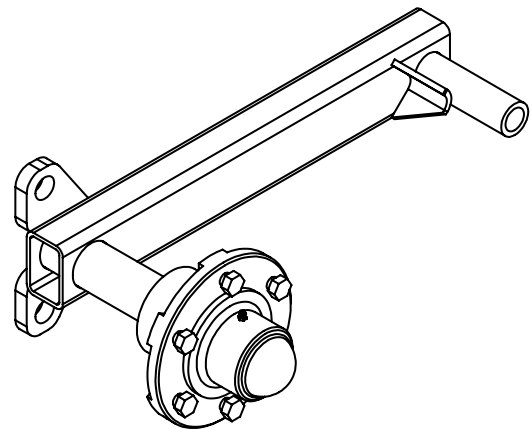
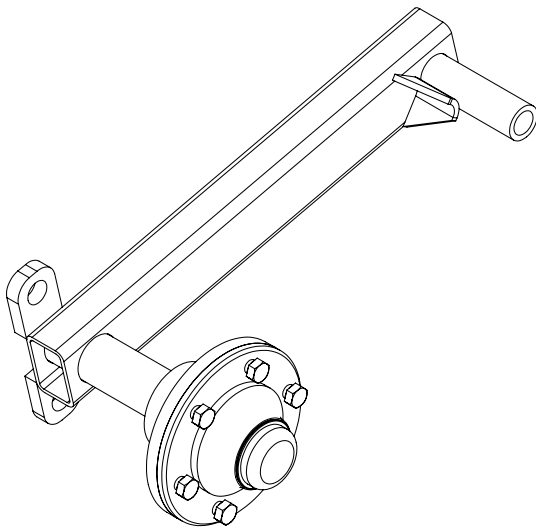


Fig.	Part no.	Qty	Description
1	760032095	1	Gauge Wheel Arm Weldment (G35-6 & single piece tab)
2	763011269	1	6 Bolt Hub - 6" Bolt Circle G35-6 (Includes Items 3, 4, 9, 10)
-	763011609	1	G35-6 Hub Assembly Complete (Includes Items 2-10)
3	76301135	1	Bearing Cup - LM501310
4	76301134	1	Bearing Cup - LM67010
5	76301129	1	Bearing - LM501349
6	76301132	1	Bearing Cone - LM67048
7	7600473135	1	Seal, 2" w/Spring & Alternate Lip
8	76301143	1	Dust Cap
9	76301151	6	Lug Bolt, 9/16"-18 x 1-1/8"
10	600471000	1	GF-641 Grease Fitting
11	600381009	1	Flat Washer, 3/4"
12	76301153	1	3/4"-16 UNF Slotted Nut
13	76101249	1	Cotter Pin, 5/23" x 1-3/4"
<hr style="border-top: 1px dashed black;"/>			
1	601232321	1	Gauge Wheel Arm Weldment (Old style w/ two tabs)
2	606001186	1	5000 lb Hub (Includes Items 2, 12)
-	600473017	1	5000 lb Hub Complete (Includes Items 2-10, 13)
3	600473001	1	Bearing Seal CR20044
4	600452006	1	Rear Cone LM603049 (Bearing)
5	600452007	1	Rear Cup LM603011 (Race)
6	600452003	1	Front Race LM48510
7	600452002	1	Front Cone LM48548 (Bearing)
8	600381021	1	Washer, SAE 1000
9	600366012	1	Slotted Nut, 1" - UNF
10	600473006	1	Dust Cap
11	600373006	6	Lug Bolt, 9/16" x 1-1/2"
12	600471000	1	GF-641 Grease Fitting
13	600383003	1	Cotter Pin, 3/16" x 1-3/4"
14	600473002	1	5000 lb Hub Bearing Kit (Includes Items 3-8, 10, 13)



# Rear Jack Assembly

Instructions:

-Install rear jack bracket onto rear bar of center mainframe with hardware provided. It is recommended to located bracket as near to the center of the cultivator as possible for better stability.

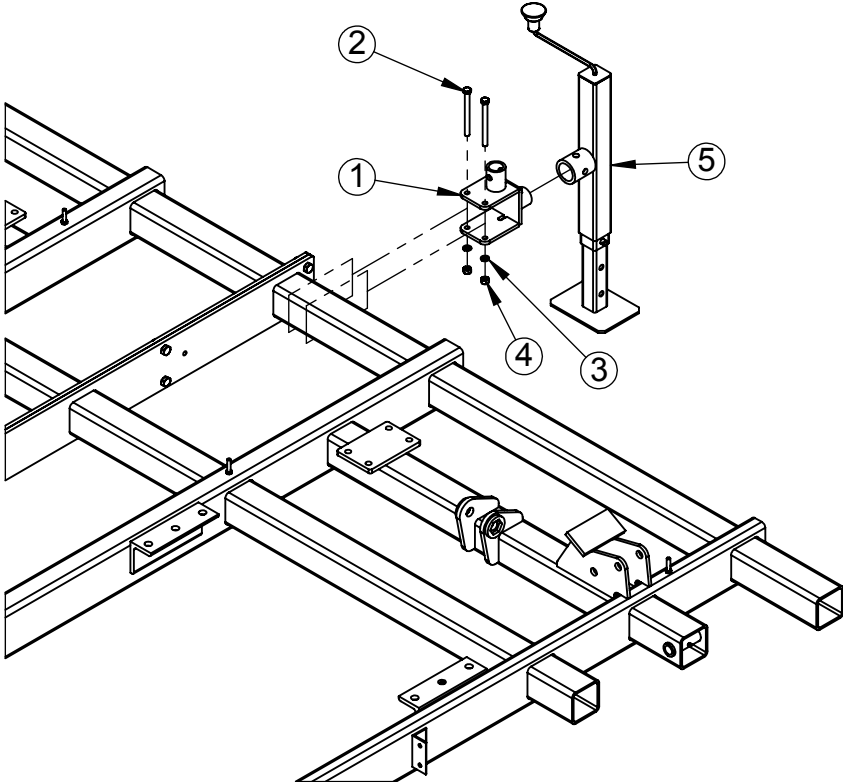
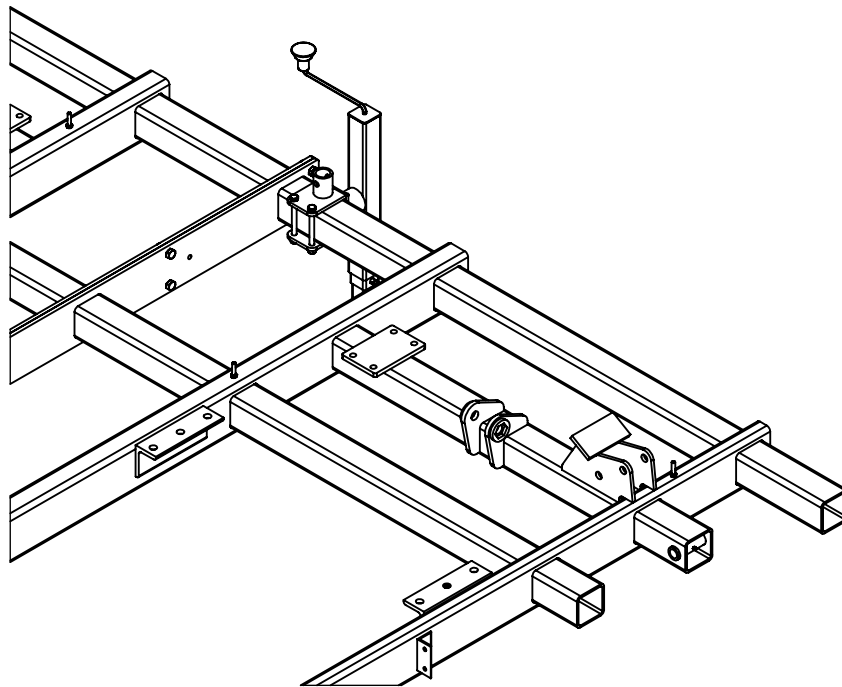




Fig.	Part no.	Qty	Description
1	760032058	1	Rear Jack Bracket
2	600356134	2	Bolt, 1/2" X 5-1/2" GR.5
3	600382053	2	Lockwasher, 1/2"
4	600365009	2	Nut, 1/2"
5	601231223	1	Jack TWL 190 DL-B



# Hydraulic Tree Assembly

## Instructions:

- Hardware included in bag 760033015. Fittings included in hydraulic kits.
- Attach hydraulic hose tree to fold cylinder base weldment using hardware listed on next page.
- Locate tree directly above the inner frame rail on the left mainframe.
- It is recommended to install bulkhead fittings (included in hydraulic kit) one at a time from top down while routing hydraulic hoses.

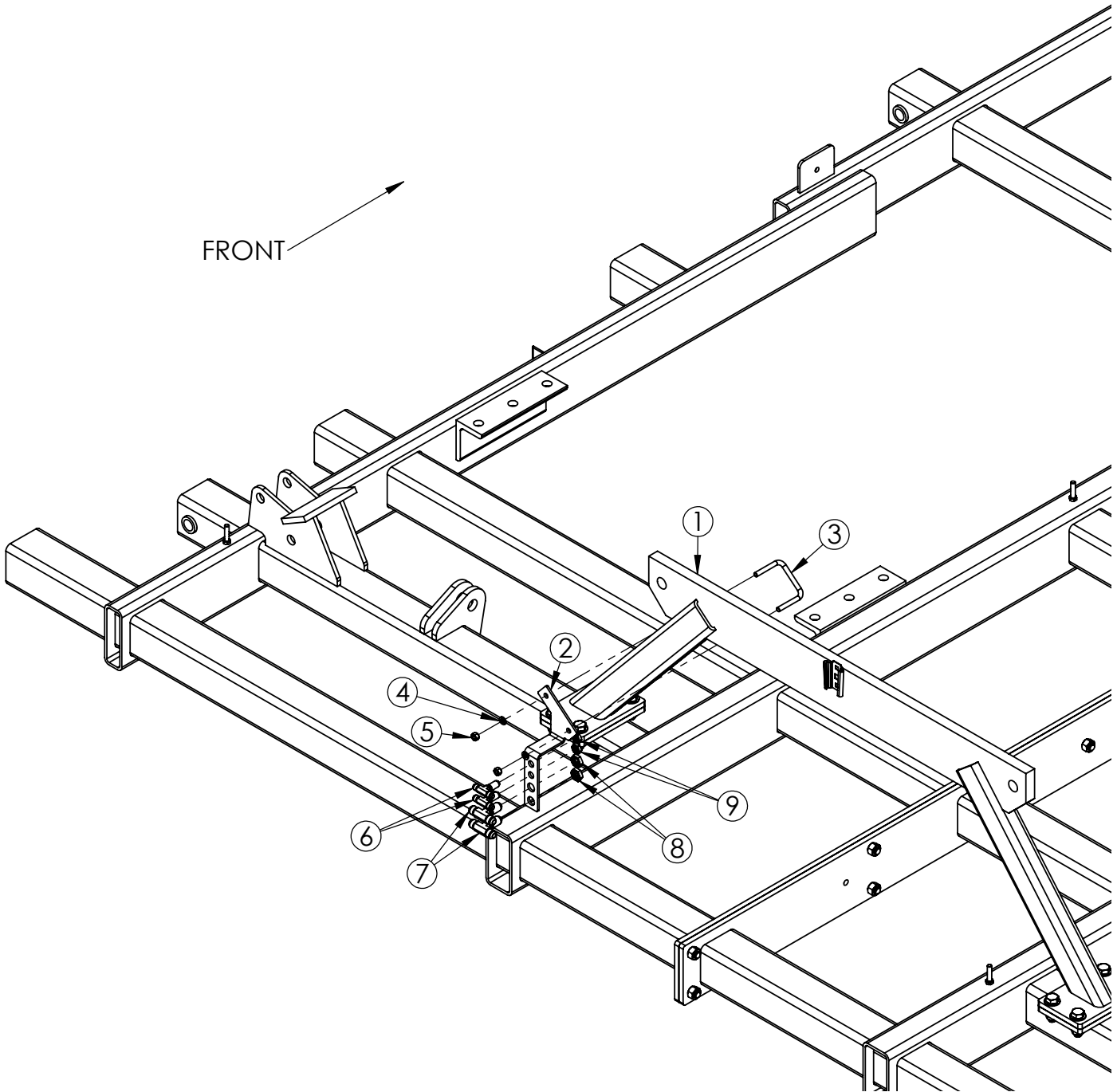
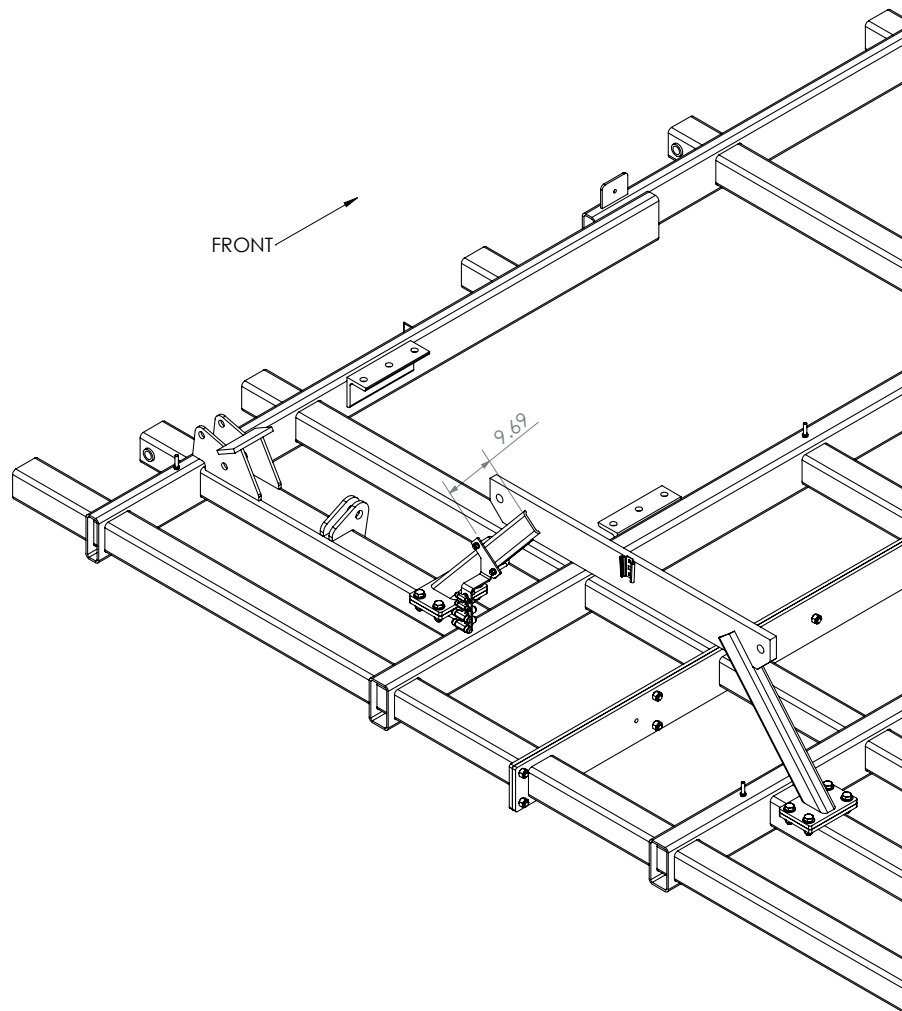


Fig.	Part no.	Qty	Description
1	760032020	1	Fold Cylinder Base Mount Wdmt
2	760031115	1	Hyd Hose Tree
3	7600373129	1	U-Bolt, 3/8" x 3" x 2-3/4"
4	600382051	2	Lock Washer, 3/8"
5	600365008	2	Standard Nut, 3/8"
6	7600470474	2	#6 MJIC Bulkhead Tee
7	7600470475	2	#8 MJIC Bulkhead Tee
8	7600470477	2	#8 JIC Bulkhead Nut
9	7600470476	2	#6 JIC Bulkhead Nut



# Lift Hydraulics 26.5'

## Instructions:

- Hardware included in bag 760033015 & 760033016
- Connect hydraulic fittings and hoses as shown in this schematic. Refer to Appendix A for detailed routing information.
- Secure hoses with hold downs provided.

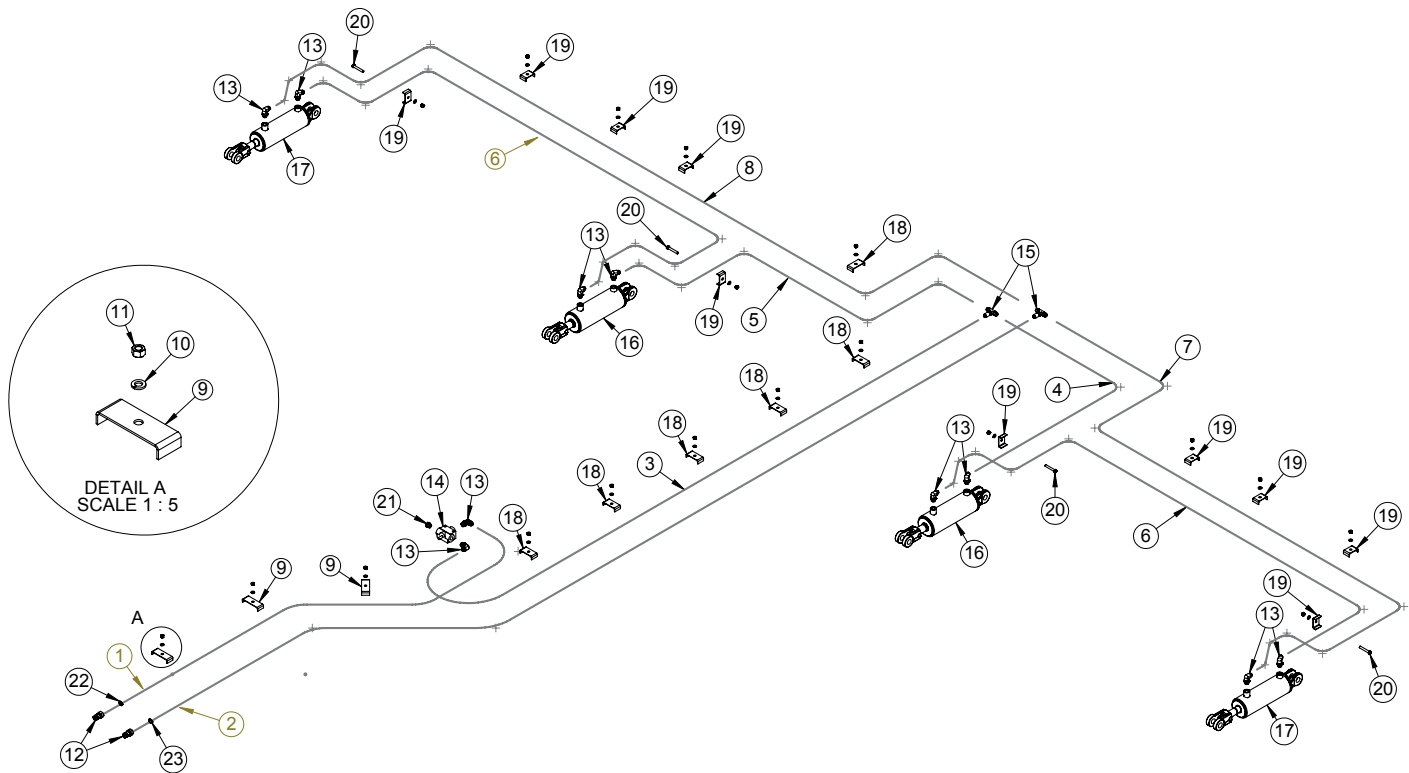


Fig.	Part no.	Qty	Description
1	7600470478	1	Hyd Hose - 3/8" x 1/2" MPT x #8 FJIC - 204"
2	76202277	1	3/8" x 336" x 1/2" MPT x #8 FJIC Hose
3	7600470479	1	Hyd Hose - 3/8" x #8 FJIC x #8 FJIC - 170"
4	7600470480	1	Hyd Hose - 3/8" x #8 FJIC x #8 FJIC - 64"
5	7600470481	1	Hyd Hose - 3/8" x #8 FJIC x #8 FJIC - 108"
6	7600470469	2	3/8 Hose x 8 FJIC x 8 FJIC - 186"
7	76202198	1	3/8" x 168" x 8 FJIC x 8 FJIC Hose
8	7600470487	1	Hyd Hose - 3/8" x #8 FJIC x #8 FJIC - 212"
9	76400080	3	4 Hose Holdown - Black
10	600382051	19	Lock Washer, 3/8"
11	600365008	19	Standard Nut, 3/8"
12	76201028	2	1/2" Female NPT-Pioneer Male Tip
13	76201002	10	No. 8 MJIC x No. 8 Male Oring Boss 90
14	600470070	1	Valve for Single Pt. Hyd.
15	7600470475	2	#8 MJIC Bulkhead Tee
16	7600474664	2	Cylinder 3-3/4" x 8" Welded Rephase - Monarch
17	7600474665	2	Cylinder 3-1/2" x 8" Welded Rephase - Monarch
18	76400463	6	3 Hose Holdown
19	76400117	10	2 Hose Holdown
20	76101130	4	Bolt, 3/8" x 3-1/2" Gr. 5
21	600470338	1	#8 ORB Plug
22	7600470519	1	Band, Red
23	7600470520	1	Band, Blue
	760033008	-	8226 Hydraulic Kit (Includes Lift and Fold Hoses and Fittings)

# Lift Hydraulics 28.5'

## Instructions:

- Hardware included in bag 760033015 & 760033016
- Connect hydraulic fittings and hoses as shown in this schematic. Refer to Appendix A for detailed routing information.
- Secure hoses with hold downs provided.

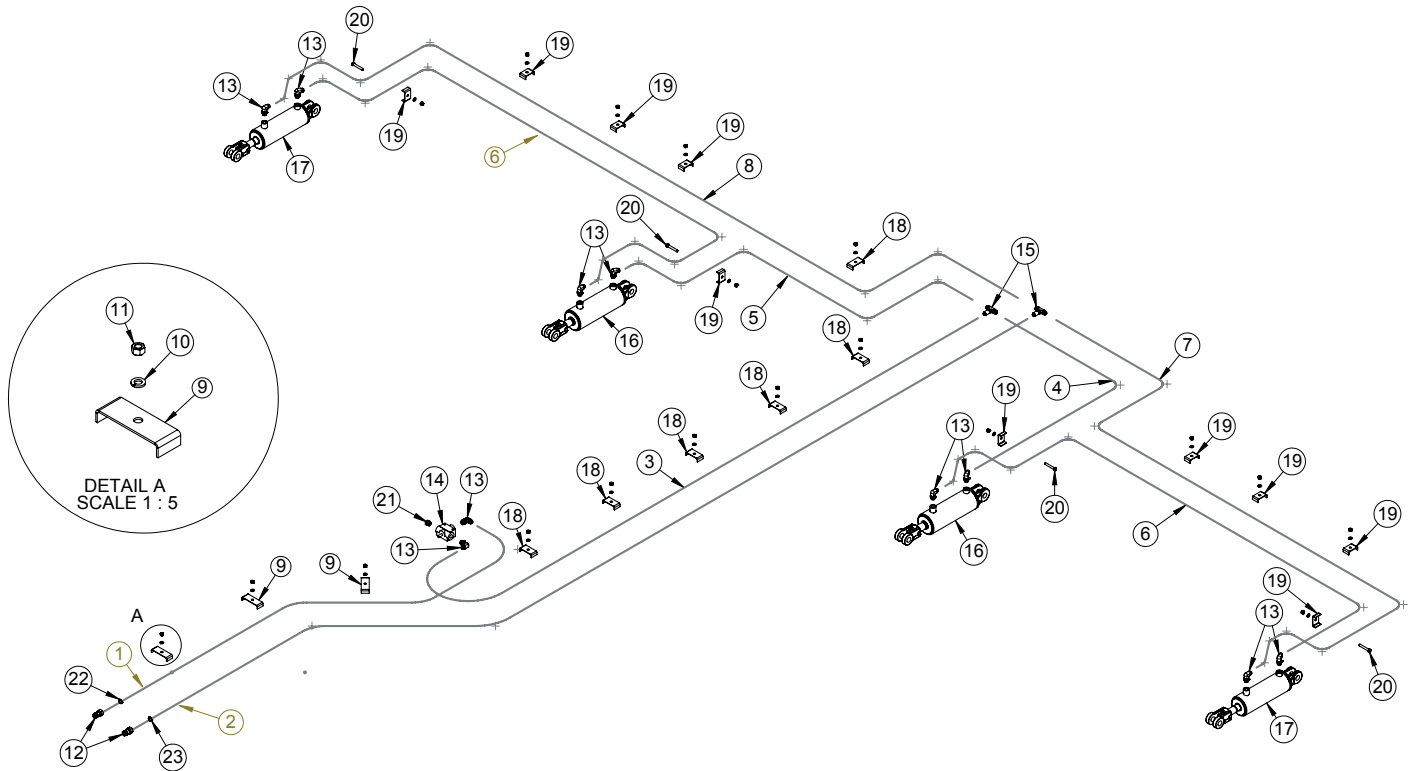


Fig.	Part no.	Qty	Description
1	7600470478	1	Hyd Hose - 3/8" x 1/2" MPT x #8 FJIC - 204"
2	76202277	1	3/8" x 336" x 1/2" MPT x #8 FJIC Hose
3	7600470479	1	Hyd Hose - 3/8" x #8 FJIC x #8 FJIC - 170"
4	7600470480	1	Hyd Hose - 3/8" x #8 FJIC x #8 FJIC - 64"
5	7600470481	1	Hyd Hose - 3/8" x #8 FJIC x #8 FJIC - 108"
6	7600470484	2	Hyd Hose - 3/8" x #8 FJIC x #8 FJIC - 198"
7	76202112	1	3/8" x 18-" x 8FJX x 8FJX Hose
8	7600470486	1	Hyd Hose - 3/8" x #8 FJIC x #8 FJIC - 224"
9	76400080	3	4 Hose Holdown - Black
10	600382051	19	Lock Washer, 3/8"
11	600365008	19	Standard Nut, 3/8"
12	76201028	2	1/2" Female NPT-Pioneer Male Tip
13	76201002	10	No. 8 MJIC x No. 8 Male Oring Boss 90
14	600470070	1	Valve for Single Pt. Hyd.
15	7600470475	2	#8 MJIC Bulkhead Tee
16	7600474664	2	Cylinder 3-3/4" x 8" Welded Rephase - Monarch
17	7600474665	2	Cylinder 3-1/2" x 8" Welded Rephase - Monarch
18	76400463	6	3 Hose Holdown
19	76400117	10	2 Hose Holdown
20	76101130	4	Bolt, 3/8" x 3-1/2" Gr. 5
21	600470338	1	#8 ORB Plug
22	7600470519	1	Band, Red
23	7600470520	1	Band, Blue
	760033009	-	8228 Hydraulic Kit (Includes Lift and Fold Hoses and Fittings)

# Lift Hydraulics 30.5'

## Instructions:

- Hardware included in bag 760033015 & 760033016
- Connect hydraulic fittings and hoses as shown in this schematic. Refer to Appendix A for detailed routing information.
- Secure hoses with hold downs provided.

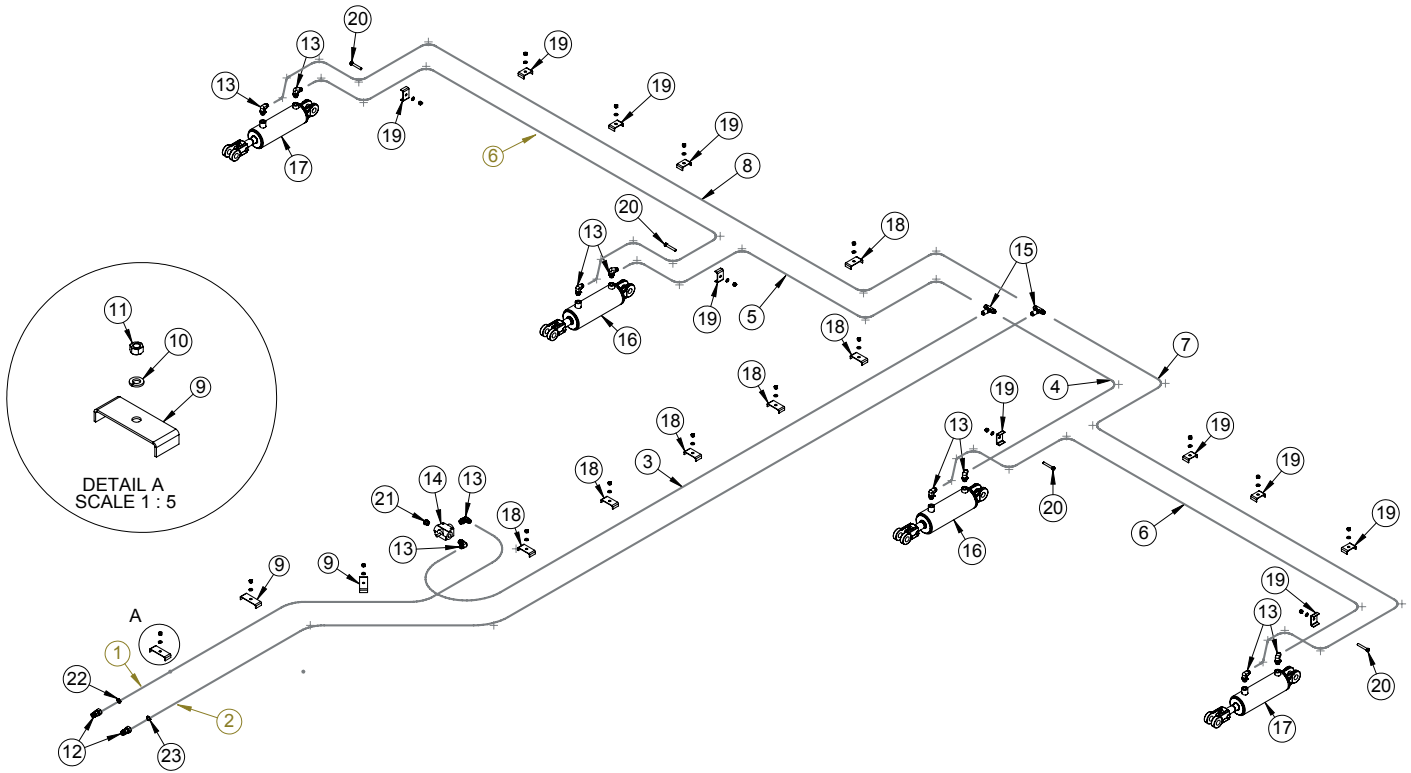




Fig.	Part no.	Qty	Description
1	7600470478	1	Hyd Hose - 3/8" x 1/2" MPT x #8 FJIC - 204"
2	76202277	1	3/8" x 336" x 1/2" MPT x #8 FJIC Hose
3	7600470479	1	Hyd Hose - 3/8" x #8 FJIC x #8 FJIC - 170"
4	7600470480	1	Hyd Hose - 3/8" x #8 FJIC x #8 FJIC - 64"
5	7600470481	1	Hyd Hose - 3/8" x #8 FJIC x #8 FJIC - 108"
6	7600470463	2	3/8 x #8 FJIC x #8 FJIC x 210" - Hyd Hose
7	600470456	1	3/8 Hose x 1/2 JIC(F) x 1/2 JIC(F) - 192"
8	7600470485	1	Hyd Hose - 3/8" x #8 FJIC x #8 FJIC - 236"
9	76400080	3	4 Hose Holdown - Black
10	600382051	19	Lock Washer, 3/8"
11	600365008	19	Standard Nut, 3/8"
12	76201028	2	1/2" Female NPT-Pioneer Male Tip
13	76201002	10	No. 8 MJIC x No. 8 Male Oring Boss 90
14	600470070	1	Valve for Single Pt. Hyd.
15	7600470475	2	#8 MJIC Bulkhead Tee
16	7600474664	2	Cylinder 3-3/4" x 8" Welded Rephase - Monarch
17	7600474665	2	Cylinder 3-1/2" x 8" Welded Rephase - Monarch
18	76400463	6	3 Hose Holdown
19	76400117	10	2 Hose Holdown
20	76101130	4	Bolt, 3/8" x 3-1/2" Gr. 5
21	600470338	1	#8 ORB Plug
22	7600470519	1	Band, Red
23	7600470520	1	Band, Blue
	760033010	-	8230 Hydraulic Kit (Includes Lift and Fold Hoses and Fittings)

# Lift Hydraulics 32.5'

## Instructions:

- Hardware included in bag 760033015 & 760033016
- Connect hydraulic fittings and hoses as shown in this schematic. Refer to Appendix A for detailed routing information.
- Secure hoses with hold downs provided.

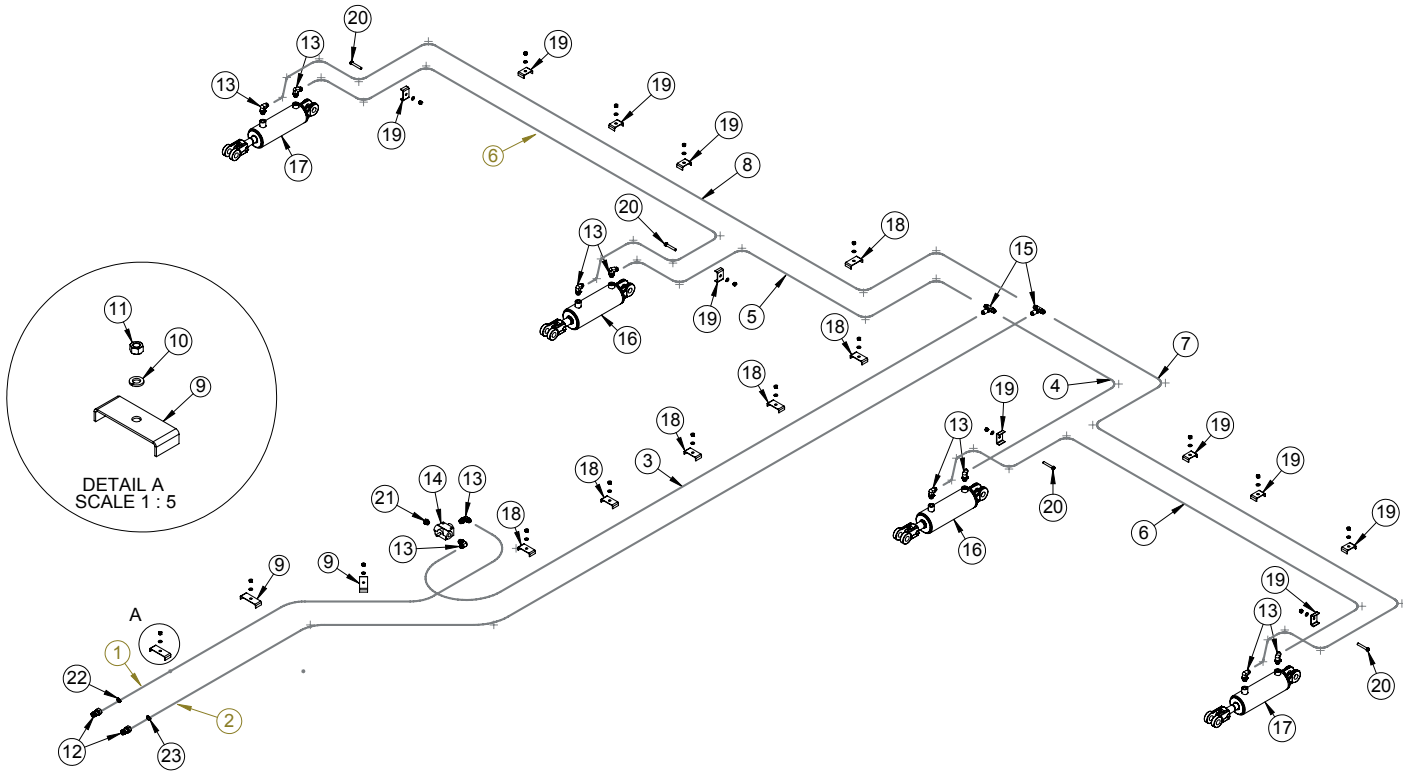


Fig.	Part no.	Qty	Description
1	7600470478	1	Hyd Hose - 3/8" x 1/2" MPT x #8 FJIC - 204"
2	76202277	1	3/8" x 336" x 1/2" MPT x #8 FJIC Hose
3	7600470479	1	Hyd Hose - 3/8" x #8 FJIC x #8 FJIC - 170"
4	7600470480	1	Hyd Hose - 3/8" x #8 FJIC x #8 FJIC - 64"
5	7600470481	1	Hyd Hose - 3/8" x #8 FJIC x #8 FJIC - 108"
6	76202248	2	3/8 x 222" x 8 FJIC x 8 FJIC Hose
7	7600470482	1	Hyd Hose - 3/8" x #8 FJIC x #8 FJIC - 204"
8	7600470483	1	Hyd Hose - 3/8" x #8 FJIC x #8 FJIC - 248"
9	76400080	3	4 Hose Holdown - Black
10	600382051	19	Lock Washer, 3/8"
11	600365008	19	Standard Nut, 3/8"
12	76201028	2	1/2" Female NPT-Pioneer Male Tip
13	76201002	10	No. 8 MJIC x No. 8 Male Oring Boss 90
14	600470070	1	Valve for Single Pt. Hyd.
15	7600470475	2	#8 MJIC Bulkhead Tee
16	7600474664	2	Cylinder 3-3/4" x 8" Welded Rephase - Monarch
17	7600474665	2	Cylinder 3-1/2" x 8" Welded Rephase - Monarch
18	76400463	6	3 Hose Holdown
19	76400117	10	2 Hose Holdown
20	76101130	4	Bolt, 3/8" x 3-1/2" Gr. 5
21	600470338	1	#8 ORB Plug
22	7600470519	1	Band, Red
23	7600470520	1	Band, Blue
	760033011	-	8232 Hydraulic Kit (Includes Lift and Fold Hoses and Fittings)

# Lift Hydraulics 36.5'

## Instructions:

- Hardware included in bag 760033015 & 760033016
- Connect hydraulic fittings and hoses as shown in this schematic. Refer to Appendix A for detailed routing information.
- Secure hoses with hold downs provided.

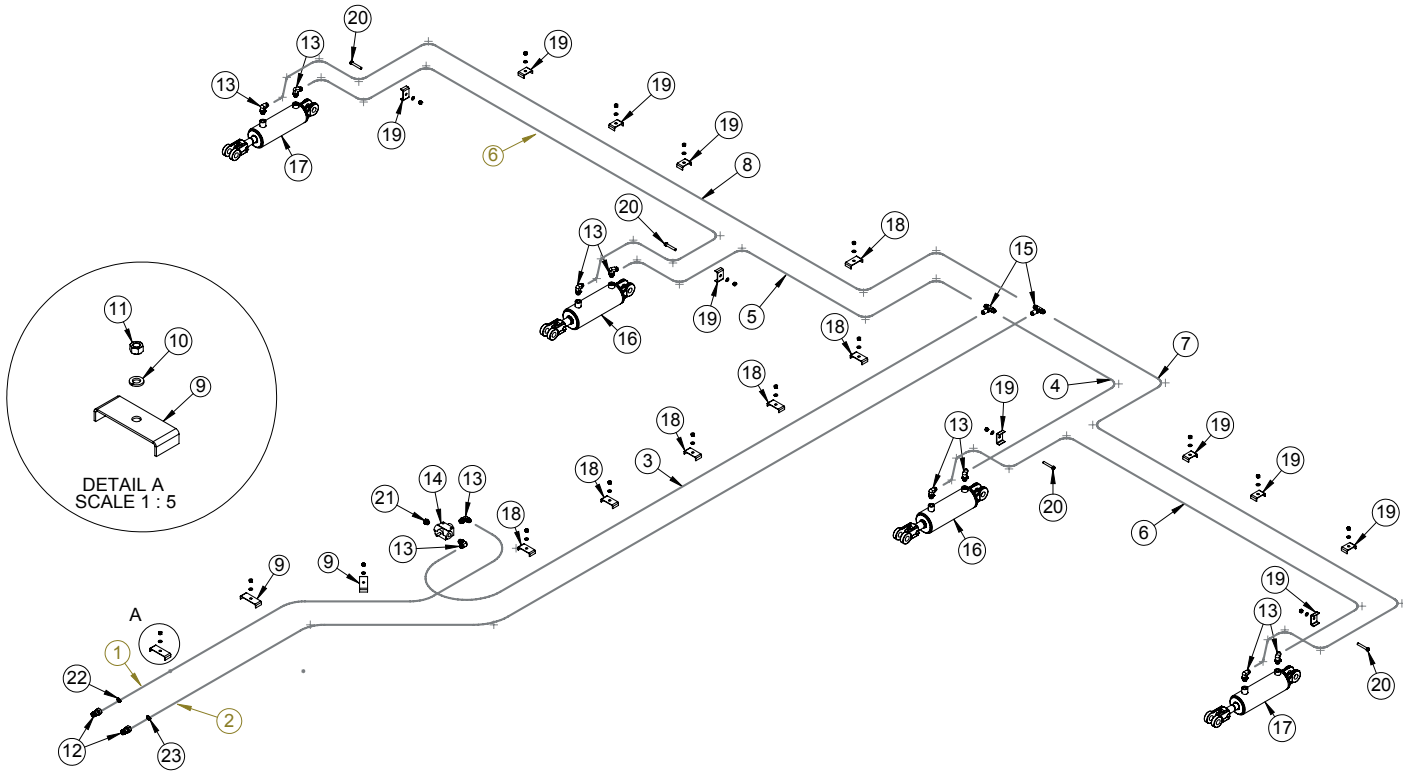


Fig.	Part no.	Qty	Description
1	7600470478	1	Hyd Hose - 3/8" x 1/2" MPT x #8 FJIC - 204"
2	76202277	1	3/8" x 336" x 1/2" MPT x #8 FJIC Hose
3	7600470479	1	Hyd Hose - 3/8" x #8 FJIC x #8 FJIC - 170"
4	7600470480	1	Hyd Hose - 3/8" x #8 FJIC x #8 FJIC - 64"
5	7600470481	1	Hyd Hose - 3/8" x #8 FJIC x #8 FJIC - 108"
6	7600470492	2	Hyd Hose - 3/8" x #8 FJIC x #8 FJIC - 246"
7	7600470464	1	Hyd Hose - 3/8" x #8 FJIC x #8 FJIC - 228"
8	7600470493	1	Hyd Hose - 3/8" x #8 FJIC x #8 FJIC - 272"
9	76400080	3	4 Hose Holdown - Black
10	600382051	21	Lock Washer, 3/8"
11	600365008	21	Standard Nut, 3/8"
12	76201028	2	1/2" Female NPT-Pioneer Male Tip
13	76201002	10	No. 8 MJIC x No. 8 Male Oring Boss 90
14	600470070	1	Valve for Single Pt. Hyd.
15	7600470475	2	#8 MJIC Bulkhead Tee
16	7600474664	2	Cylinder 3-3/4" x 8" Welded Rephase - Monarch
17	7600474665	2	Cylinder 3-1/2" x 8" Welded Rephase - Monarch
18	76400463	6	3 Hose Holdown
19	76400117	12	2 Hose Holdown
20	76101130	4	Bolt, 3/8" x 3-1/2" Gr. 5
21	600470338	1	#8 ORB Plug
22	7600470519	1	Band, Red
23	7600470520	1	Band, Blue
	760033030	-	8236 Hydraulic Kit SF (Includes Lift and Fold Hoses and Fittings)

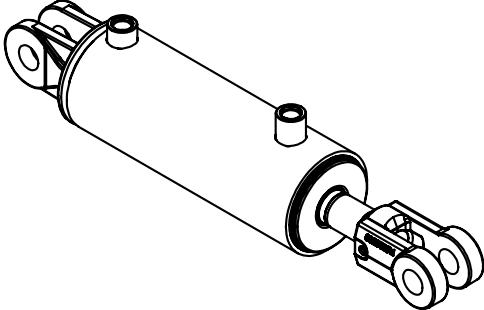


Fig.	Part no.	Qty	Description
1	7600470488	2	Hyd Hose - 1/4" x 1/2" MPT x #6 FJIC - 336"
2	76202213	1	1/4" x 24" x 6 FJIC x 6 FJIC Hose
3	76202257	1	1/4" x 64" x 6 FJIC x 6 FJIC Hose
4	7600470489	1	Hyd Hose - 1/4" x #6 FJIC x #6 FJIC - 38"
5	7600470490	1	Hyd Hose - 1/4" x #6 FJIC x #6 FJIC - 82"
6	76400080	3	4 Hose Holdown - Black
7	600382051	9	Lock Washer, 3/8"
8	600365008	9	Standard Nut, 3/8"
9	76201028	2	1/2" Female NPT - Pioneer Male Tip
10a	7600474667	2	Cylinder 4 1/2" X 30" Welded - Monarch (Model 8232)
10b	7600474666	2	Cylinder 4" X 30" Welded - Monarch (Models 8230, 8228, 8226)
11	7600470474	2	#6 MJIC Bulkhead Tee
12	76201001	4	No. 6 MJIC x No. 8 Male Oring Boss 90
13	76400463	6	3 Hose Holdown
14	7600470521	1	Band, Yellow
15	7600470522	1	Band, Green
	760033008	-	8226 Hydraulic Kit (Includes Lift and Fold Hoses and Fittings)
	760033009	-	8228 Hydraulic Kit (Includes Lift and Fold Hoses and Fittings)
	760033010	-	8230 Hydraulic Kit (Includes Lift and Fold Hoses and Fittings)
	760033011	-	8232 Hydraulic Kit (Includes Lift and Fold Hoses and Fittings)
<hr/>			
1	7600470494	2	Hyd Hose - 1/4" x 1/2" MPT x #6 FJIC - 208"
2	76202213	2	1/4" x 24" x 6 FJIC x 6 FJIC Hose
3	76202257	2	1/4" x 64" x 6 FJIC x 6 FJIC Hose
4	7600470489	2	Hyd Hose - 1/4" x #6 FJIC x #6 FJIC - 38"
5	7600470490	2	Hyd Hose - 1/4" x #6 FJIC x #6 FJIC - 82"
6	76400080	3	4 Hose Holdown - Black
7	600382051	10	Lock Washer, 3/8"
8	600365008	10	Standard Nut, 3/8"
9	76201028	2	1/2" Female NPT - Pioneer Male Tip
10	7600474666	2	Cylinder 4" X 30" Welded - Monarch (Models 8236)
11	7600470474	2	#6 MJIC Bulkhead Tee
12	76201001	8	No. 6 MJIC x No. 8 Male Oring Boss 90
13	76400463	6	3 Hose Holdown
14	7600470495	2	Hyd Hose - 1/4" x #6 FJIC x #6 FJIC - 128
15	600470125	2	#6 MJIC Cross
16	76400117	1	2 Hose Holdown - Black
17	7600470521	1	Band, Yellow
18	7600470522	1	Band, Green
	760033030	-	8236 Hydraulic Kit SF (Includes Lift and Fold Hoses and Fittings)

# Cylinder Parts

---

Lift Cylinder



Fold Cylinder

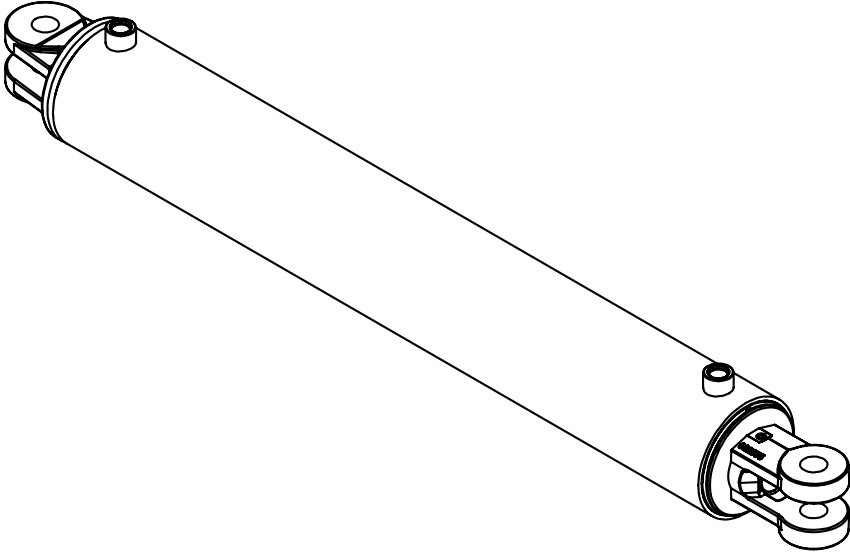




Fig.	Part no.	Qty	Description
	7600474664	2	Cylinder 3 3/4" X 8" Welded Rephase - Monarch
	7600474669	1	Clevis
	7600474670	-	Seal Repair Kit
	7600474665	2	Cylinder 3 1/2" X 8" Welded Rephase - Monarch
	7600474669	1	Clevis
	7600474671	-	Seal Repair Kit
-----			
	7600474666	2	Cylinder 4" X 30" Welded - Monarch - (Model 8230, 8228, 8226, 8236)
	7600474672	1	Clevis
	7600474673	-	Seal Repair Kit
	7600474667	2	Cylinder 4 1/2" X 30" Welded - Monarch - (Model 8232)
	7600474674	1	Clevis
	7600474675	-	Seal Repair Kit

# Light Kit Assembly

## Instructions:

- Connect electrical wiring from light kit as shown in the schematic below. Refer to Appendix A for detailed routing information.
- Secure wiring with cable ties.

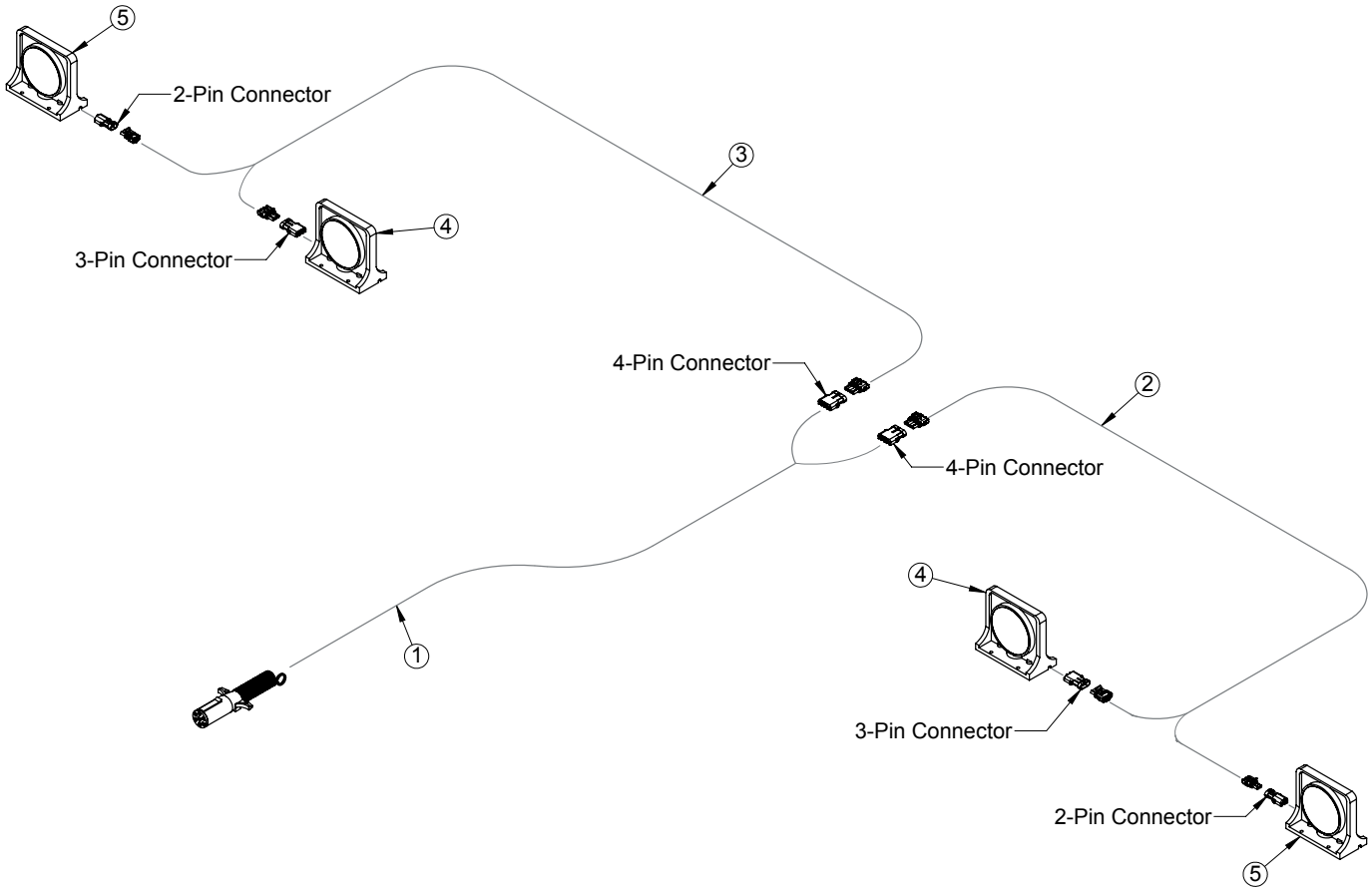


Fig.	Part no.	Qty	Description
-	760033006	1	8200 Series Light Kit
1	760031240	1	Harness, 30' Lead w/7-Pole Ag Plug
2	760031241	1	Harness, 11' - Y, LH
3	760031242	1	Harness, 15' - Y, RH
4	760031243	1	Tail Light, Red
5	760031244	1	Warning Light, Amber

## Rear Hitch Assembly (Optional)

### Instructions:

- Hardware included in bag 760033026
- Remove the two rear bolts connecting the center frame halves.
- Attach the rear hitch weldment to the cultivator center frame using u-bolts provided.
- Loosely attach the support arm and spacers to cultivator where the two bolts were removed. Use the u-bolts provided to attach the support arm to the rear hitch and tighten up all hardware.
- Insert draw bar into rear hitch and install 3/4" bolt so drawbar cannot pull out.
- Insert hitch pin and secure with spring and hair pin.

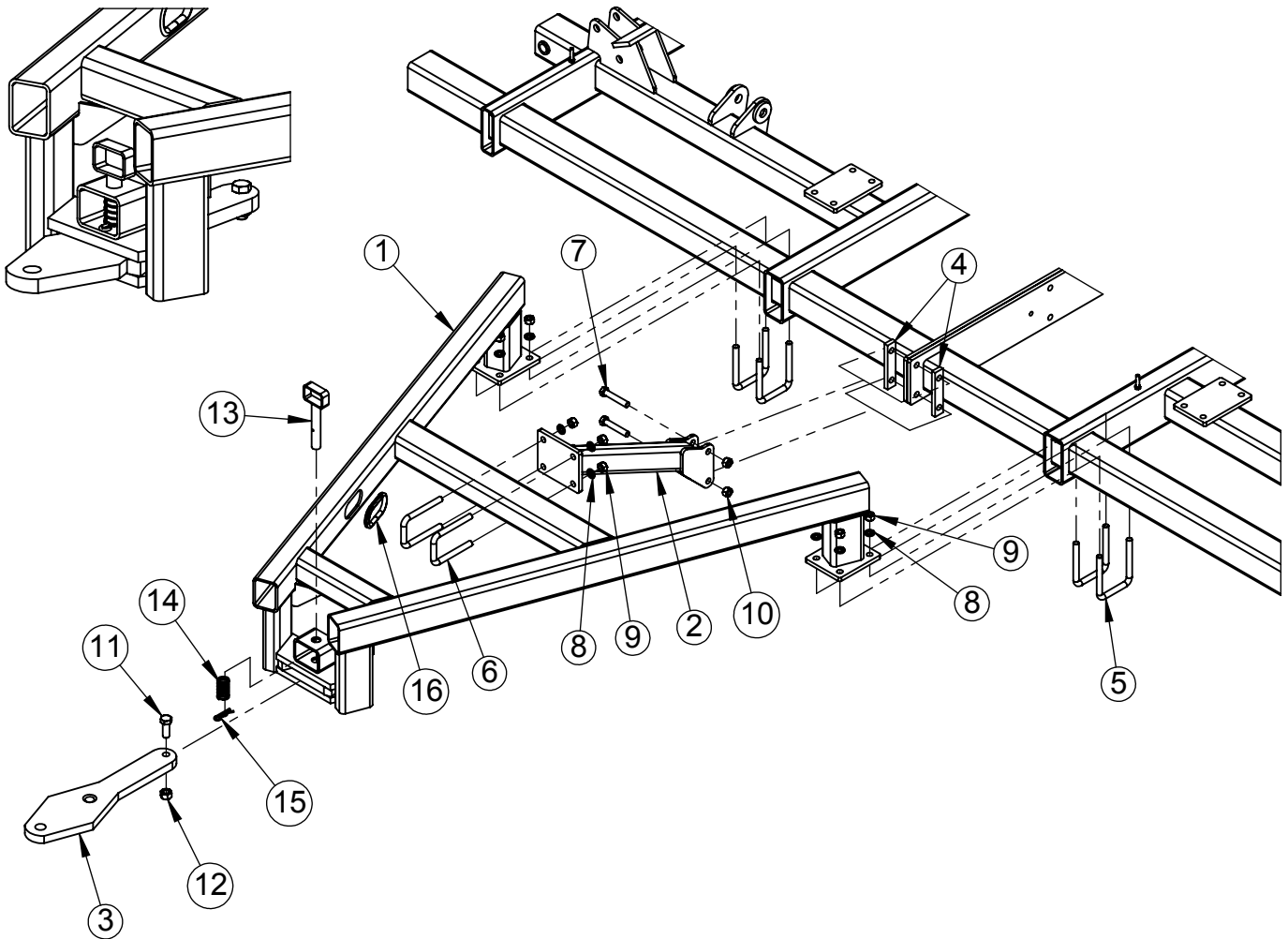
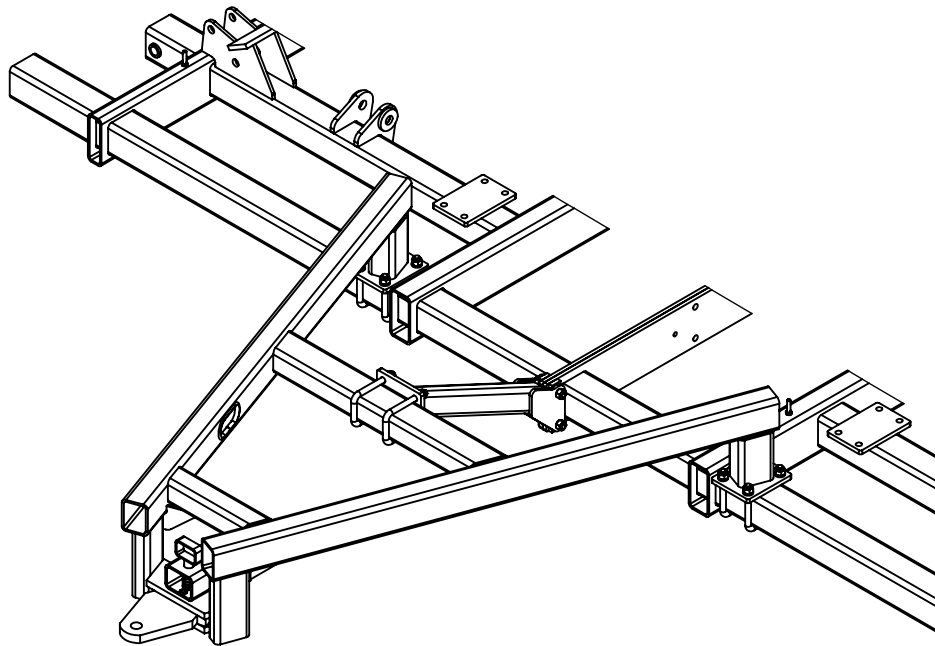


Fig.	Part no.	Qty	Description
1	760032053	1	Rear Hitch Weldment
2	760034054	1	Support Arm Weldment
3	760031153	1	Telescoping Drawbar 1"
4	760031162	2	Support Arm Spacer
5	600373058	4	U-bolt, 5/8" X 4 X 5-1/2"
6	600373056	2	U-bolt, 5/8" X 3 X 5-1/2"
7	600356116	2	Bolt, 5/8" X 3-1/2" GR.5
8	600382054	12	Lockwasher, 5/8"
9	600365014	12	Nut, 5/8"
10	600366031	2	Nut, Toplock 5/8"
11	600356145	1	Bolt, 3/4" X 2" GR.5
12	600366024	1	Nut, Toplock 3/4"
13	768011951	1	Hitch Pin
14	76101330	1	Sping
15	600383011	1	Hair pin, 3/16"
16	760031191	2	Edge Trim



# Rear Hitch Hydraulic Kit Assembly (Optional)

## INSTALLING REAR HITCH HYDRAULIC KIT- 760034003

-Requires Optional Rear Hitch 760034002

1. Attach coupler mount bracket (1) to rear hitch using 1/2"-13 x 1.25 cap screws (7) and 1/2"-13 lock nuts (8)

2. Install male couplers (4) to 3/8" x 432" hoses (2).

3. Slide male coupler end of hoses (2) through trimmed opening in rear hitch tube.

Note: If installing optional rear hitch light kit extension, route hoses and harness at same time.

4. Route hoses over existing hoses and clamps to front of cultivator.

5. Secure female couplers (3) to coupler bracket (1) using retaining rings (5) on either side of bracket (1) and inserted into two snap ring grooves on coupler (3).

6. Attach female end of hoses (2) to female couplers (5).

7. Secure hoses to existing hose clamps by using two hose holder clamps in each location, routing two hoses through each clamp.

8. Secure clamps to top of existing hose clamps using existing lock washer and nut.

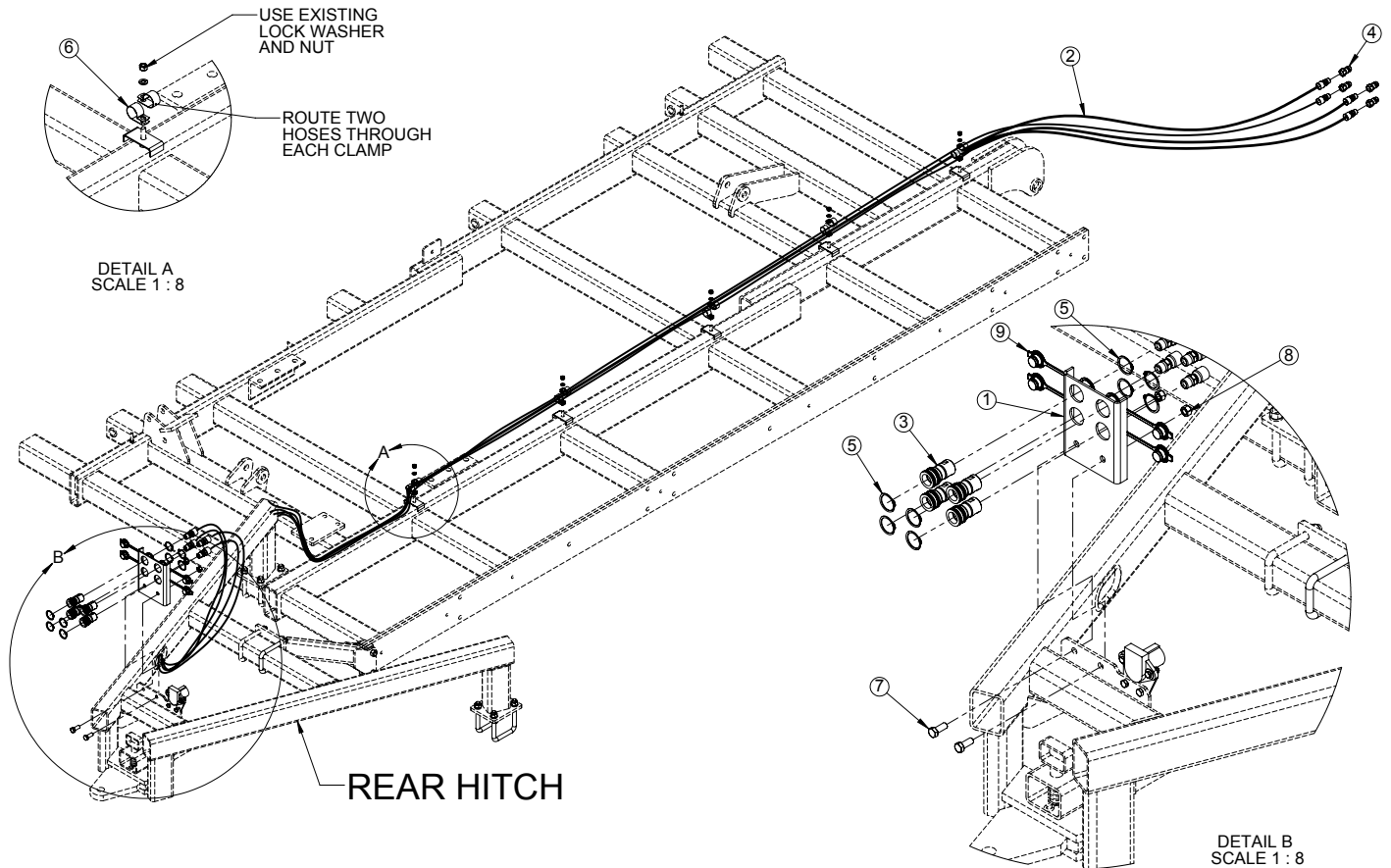


Fig.	Part no.	Qty	Description
1	760035192	1	Bracket, Coupler Mount
2	7600470510	4	Hose 3/8"-8MP-8MP-432" LG
3	7600470496	4	Coupler, 1/2" Female-8FP Push/Pull
4	600470110	4	Coupler, 1/2" Male-8FP
5	7600407054	8	Ring, Ext. Retaining-1.50" x .05"
6	7600470498	16	Clamp, Hose Holder
7	600356103	2	Bolt, 1/2"-13 x 1.25" Gr5 Zn
8	600366030	2	Nut, Lock 1/2"-13

# Rear Hitch Light Kit Extension (Optional)

## INSTALLING REAR HITCH LIGHT KIT EXTENSION - 760034006

-Requires Optional Rear Hitch 760034002

1. Attach coupler mount bracket using 3/8" x 1" bolts (3) and toplock nuts (4).
2. Run extension wiring harness (2) through cut out in left arm of rear hitch and down inside arm.  
Note: If installing optional hydraulic kit, run hoses and harness at same time.
3. Disconnect existing left and right wire harnesses running from lights to main harness from the main harness at rear of implement.
4. Connect extension wiring harness (2) to main harness ensuring color of wires match.
5. Connect left and right light wiring harness from lights to extension wiring harness (2) ensuring color of wires match.

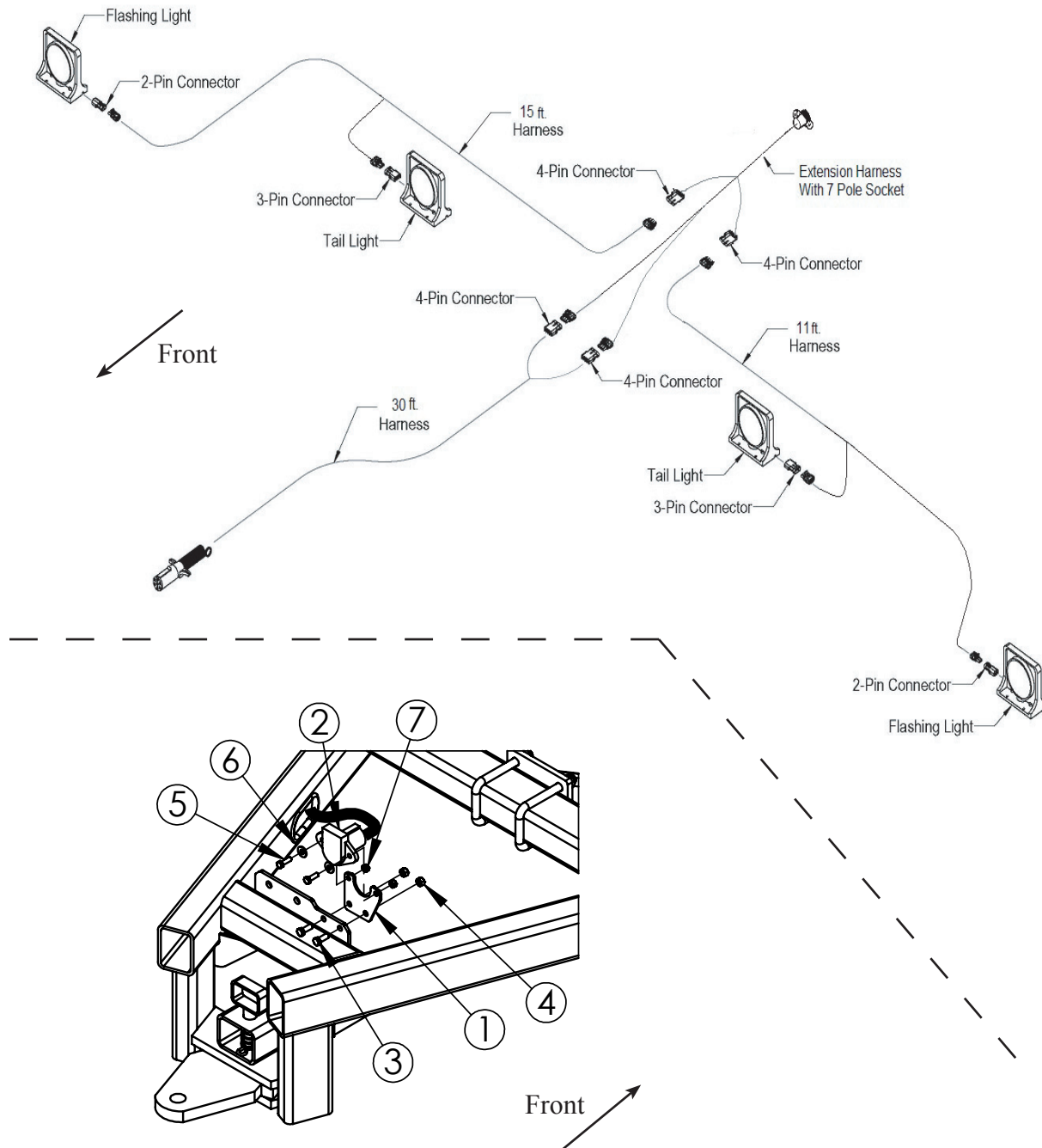


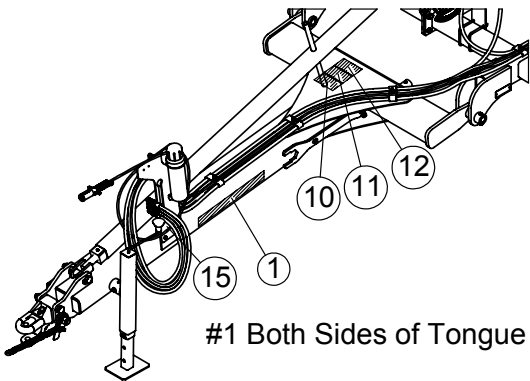


Fig.	Part no.	Qty	Description
1	760031213	1	Bracket, 7 Pole Socket Mount
2	760031214	1	Harness, 8' Extension w/ 7 Pole Socket
3	600356020	2	Bolt, 3/8" x 1" GR. 5
4	600366028	2	Nut, Toplock, 3/8"
5	600356106	2	Bolt, 5/16" x 1" GR. 5
6	76101228	2	Flat washer, 5/16"
7	600366027	2	Nut, Toplock, 5/16"

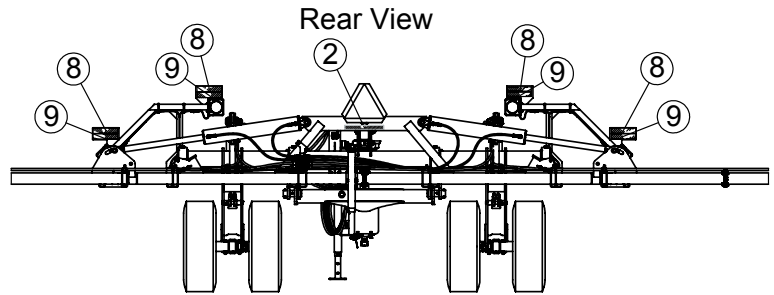
# Decal Placement

Instructions:

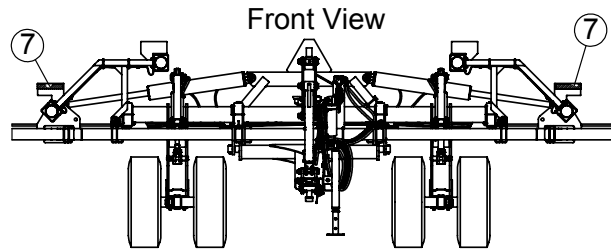
-Attach decals to clean surface as shown below



#1 Both Sides of Tongue

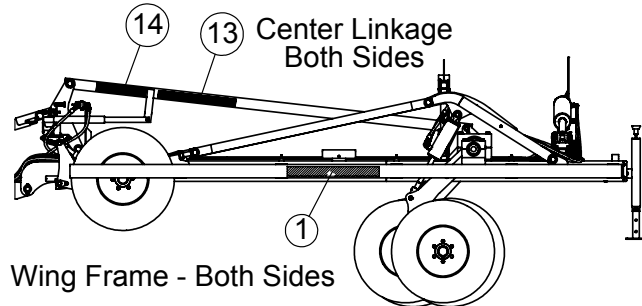
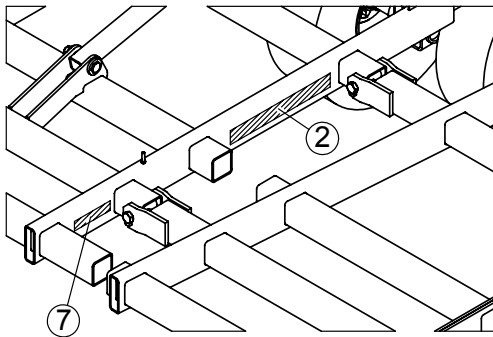


Rear View



Front View

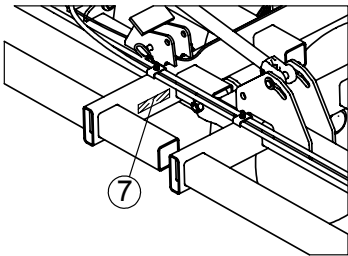
Both Sides of Front Mainframe



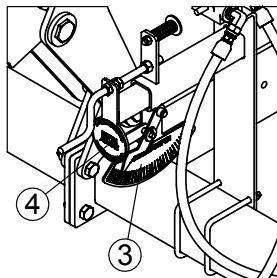
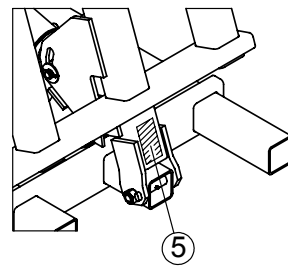
Center Linkage Both Sides

Wing Frame - Both Sides

Both Sides of Rear Mainframe



Both Wing Frames Bottom of Front & Rear Hinge Tube



Left & Right Side of Rear Mainframe

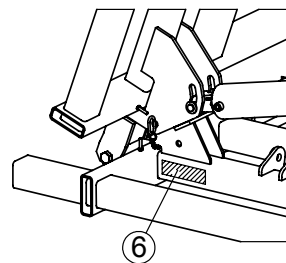


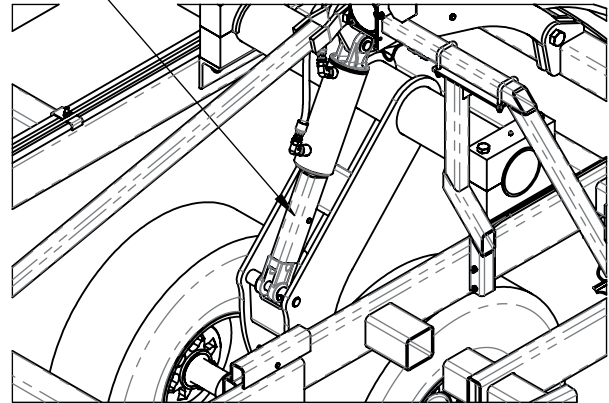
Fig.	Part no.	Qty	Description
1	7600475260	4	Kongskilde 8200 Decal
2	600475237	3	Kongskilde Decal
3	7600475258	1	8200 Depth Gauge Decal
4	7600475259	1	8200 Depth Adjust Decal
5	600475039	4	Wing Safety Decal
6	600475176	2	Decal Wing Fold Lock
7	600475180	6	Yellow Reflective Strip
8	600475179	4	Red Reflective Strip
9	600475178	6	Red-Orange Fluorescent Strip
10	600475160	1	Tipping Hazard Decal
11	600475169	1	Electrocution Hazard Decal
12	600475170	1	Max Speed Decal
13	7600475265	2	Kongskilde Website Decal
14	7600475266	2	Vibro Till Decal
15	7600475277	1	Decal, Hose Color Code

## Assembly Completion

After assembly is complete, charge the wheel lift cylinders with a tractor or hydraulic unit, fully extending and retracting the cylinders several times. Hold the hydraulic lever open at the end of the stroke to purge the air from the system. Fully extend the lift cylinders and install the transport safety locks onto the center lift cylinders.

**CAUTION:** ALWAYS INSTALL THE TRANSPORT LOCK ONTO THE CENTER LIFT CYLINDERS WHEN THE IMPLEMENT IS PLACED IN THE RAISED POSITION FOR TRANSPORT, MAINTENANCE OR STORAGE. Secure with the pin and lock clip provided.

Transport Lock

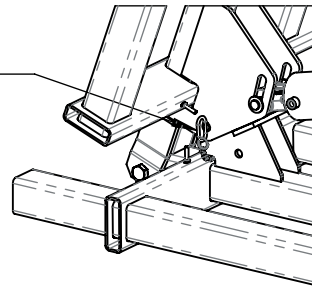


The wing fold cylinders must be charged with oil before attempting to fold the cultivator. Disconnect the cylinder rod clevis from the wings and block up the cylinder. Extend and retract the cylinders several times with a tractor or hydraulic unit, holding the lever at the end of the stroke to purge the air from the system. After fold cylinders are charged, re-connect them to the wings.

Slowly fold the wings to the transport position. Insert the wing lock safety pins.

**CAUTION:** ALWAYS INSTALL THE WING LOCK SAFETY PINS WHEN THE IMPLEMENT IS FOLDED FOR TRANSPORT, MAINTENANCE OR STORAGE.

Wing Lock Safety Pin



**CAUTION:** Never transport the implement on public road ways without installing the transport safety chain and SMV sign.

Refer to the Owners Manual for further safety information before attempting to operate or service the unit.

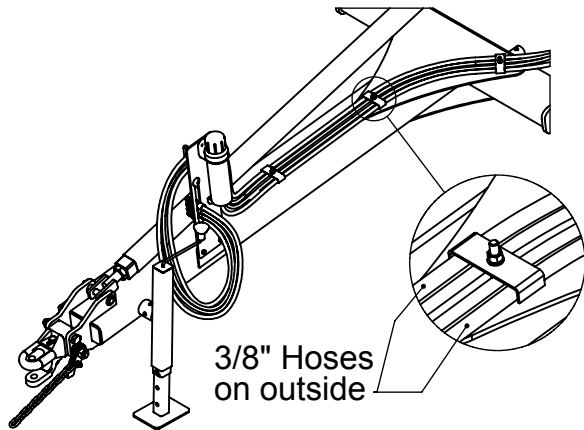
### Final Inspection

When the machine is fully assembled, verify all nuts, bolts and other connections are secure. Be sure to read the Owners Manual before attempting to operate the unit. The Owners Manual provides important instructions and safety precautions that must be followed before attempting to hook up and move the unit after assembly.

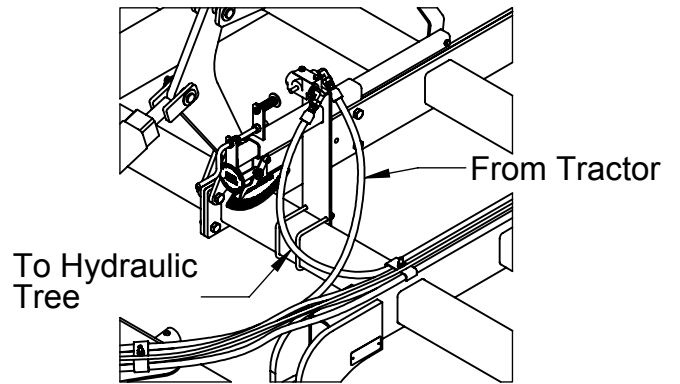
# Appendix A

## Hydraulic Hose Routing Details

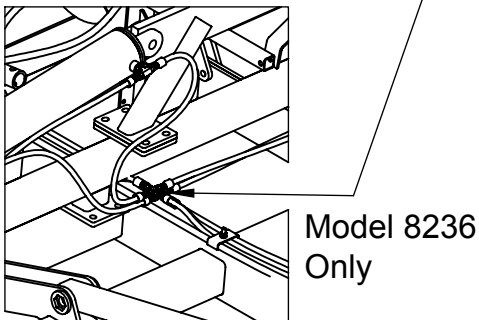
Route hoses along hitch



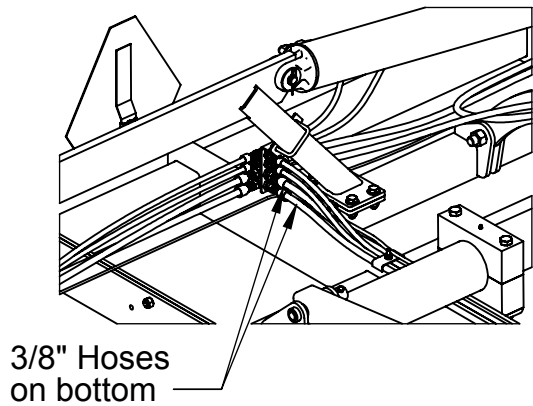
Route hoses to single point



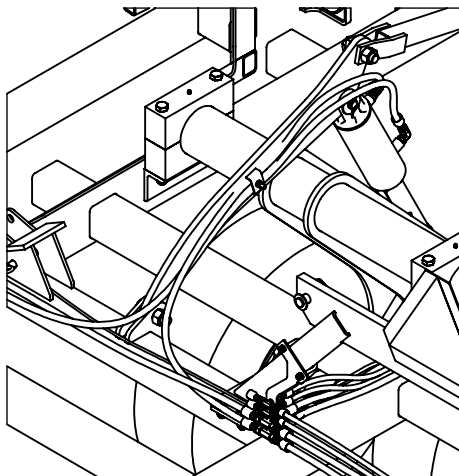
Locate cross fittings behind front fold cylinder cross brace.



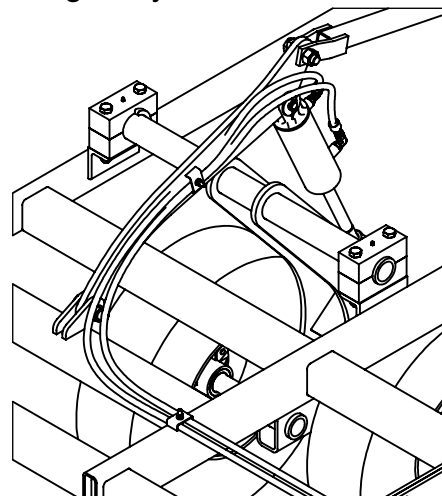
Route hoses along mainframe to hydraulic tree.



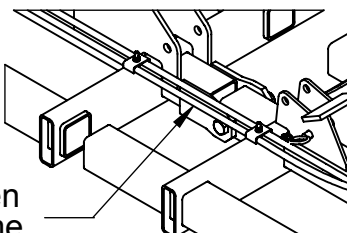
Route hoses from tree to center lift cylinders



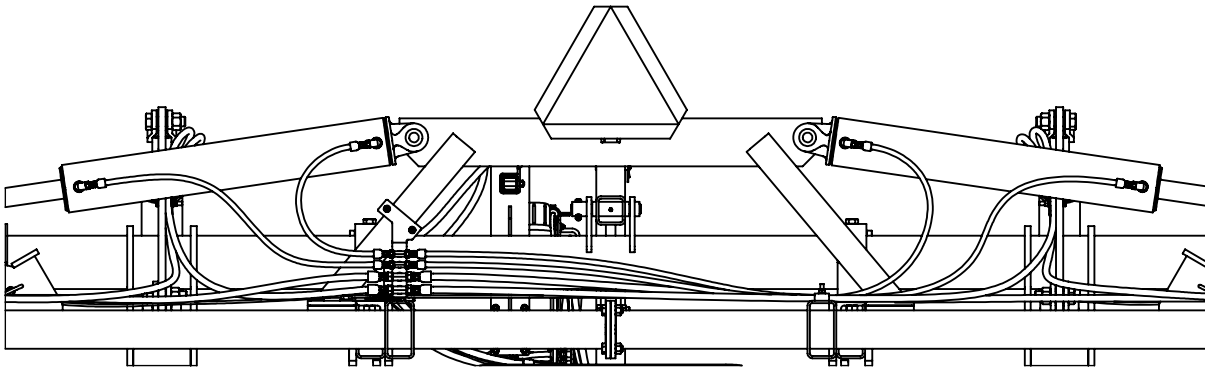
Route hoses from center lift cylinders to wing lift cylinders



Allow a small amount of droop in hoses between mainframe and wing frame

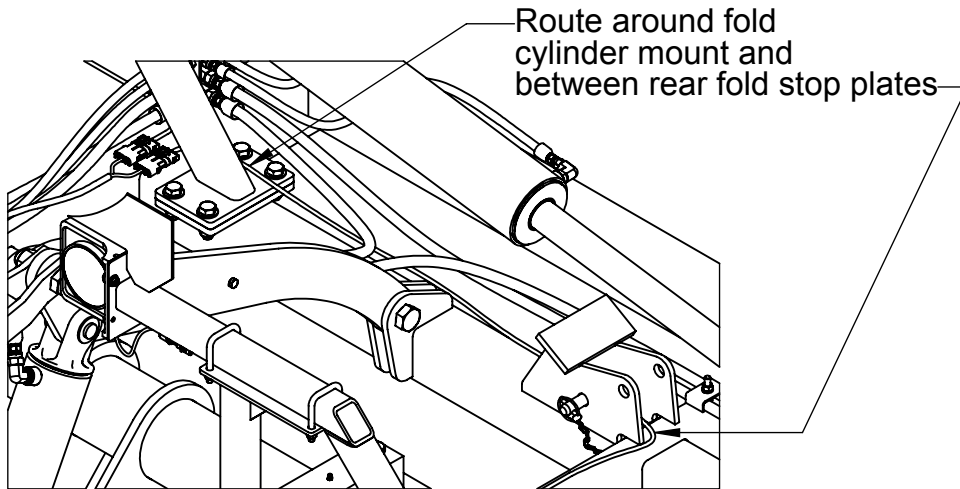


Route hoses to fold cylinders

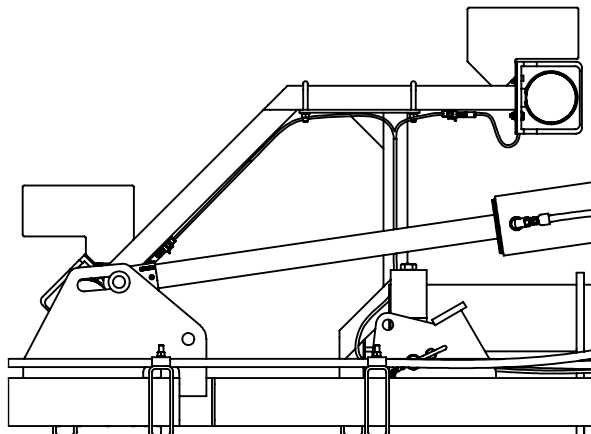


### Safety Lighting Wire Routing Details

Route light wiring from hitch to rear of machine following the hydraulic hoses.



Route wiring up light stands to lights as shown

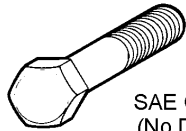


Rear View Left Side

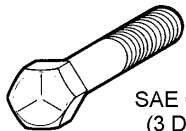
## TORQUE SPECIFICATIONS

Proper torque for American fasteners.  
Recommended Torque in Foot Pounds (Newton Meters).\*

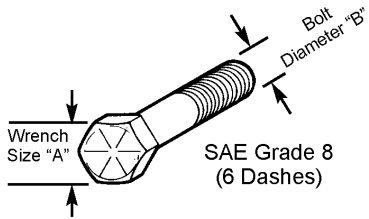
### AMERICAN Bolt Head Markings



SAE Grade 2  
(No Dashes)



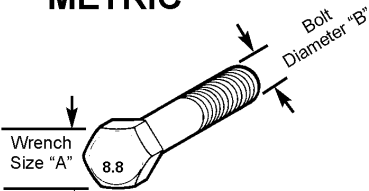
SAE Grade 5  
(3 Dashes)



SAE Grade 8  
(6 Dashes)

WRENCH SIZE (IN.) "A"	BOLT DIAMETER (IN.) "B" AND THREAD SIZE	SAE GRADE 2	SAE GRADE 5	SAE GRADE 8
7/16	1/4 - 20 UNC	6 (7)	8 (11)	12 (16)
7/16	1/4 - 28 UNF	6 (8)	10 (13)	14 (18)
1/2	5/16 - 18 UNC	11 (15)	17 (23)	25 (33)
1/2	5/16 - 24 UNF	13 (17)	19 (26)	27 (37)
9/16	3/8 - 16 UNC	20 (27)	31 (42)	44 (60)
9/16	3/8 - 24 UNF	23 (31)	35 (47)	49 (66)
5/8	7/16 - 14 UNC	32 (43)	49 (66)	70 (95)
5/8	7/16 - 20 UNF	36 (49)	55 (75)	78 (106)
3/4	1/2 - 13 UNC	49 (66)	76 (103)	106 (144)
3/4	1/2 - 20 UNF	55 (75)	85 (115)	120 (163)
7/8	9/16 - 12 UNC	70 (95)	109 (148)	153 (207)
7/8	9/16 - 18 UNF	79 (107)	122 (165)	172 (233)
15/16	5/8 - 11 UNC	97 (131)	150 (203)	212 (287)
15/16	5/8 - 18 UNF	110 (149)	170 (230)	240 (325)
1-1/8	3/4 - 10 UNC	144 (195)	266 (360)	376 (509)
1-1/8	3/4 - 16 UNF	192 (260)	297 (402)	420 (569)
1-5/16	7/8 - 9 UNC	166 (225)	430 (583)	606 (821)
1-5/16	7/8 - 14 UNF	184 (249)	474 (642)	668 (905)
1-1/2	1 - 8 UNC	250 (339)	644 (873)	909 (1232)
1-1/2	1 - 12 UNF	274 (371)	705 (955)	995 (1348)
1-1/2	1 - 14 UNF	280 (379)	721 (977)	1019 (1381)
1-11/16	1-1/8 - 7 UNC	354 (480)	795 (1077)	1288(1745)
1-11/16	1-1/8 - 12 UNF	397 (538)	890 (1206)	1444 (1957)
1-7/8	1-1/4 - 7 UNC	500 (678)	1120 (1518)	1817 (2462)
1-7/8	1-1/4 - 12 UNF	553 (749)	1241 (1682)	2013 (2728)
2-1/16	1-3/8 - 6 UNC	655 (887)	1470 (1992)	2382 (3228)
2-1/16	1-3/8 - 12 UNF	746 (1011)	1672 (2266)	2712 (3675)
2-1/4	1-1/2 - 6 UNC	870 (1179)	1950 (2642)	3161 (4283)
2-1/4	1-1/2 - 12 UNF	979 (1327)	2194 (2973)	3557 (4820)

### METRIC



Numbers appearing on bolt heads indicate ASTM class.

Proper torque for Metric fasteners.  
Recommended torque in Foot Pounds (Newton Meters).\*

WRENCH SIZE (mm) "A"	BOLT DIA. (mm) "B"	ASTM 4.6	ASTM 8.8	ASTM 9.8	ASTM 10.9
8	5	1.8 (2.4)		5.1 (6.9)	6.5 (8.8)
10	6	3 (4)		8.7 (12)	11.1 (15)
13	8	7.3 (10)		21.1 (29)	27 (37)
16	10	14.5 (20)		42 (57)	53 (72)
18	12	25 (34)	74 (100)	73 (99)	93 (126)
21	14	40 (54)	118 (160)	116 (157)	148 (201)
24	16	62 (84)	167 (226)	181 (245)	230 (312)
30	20	122 (165)	325 (440)		449 (608)
33	22		443 (600)		611 (828)
36	24	211 (286)	563 (763)		778 (1054)
41	27		821 (1112)		1138 (1542)
46	30	418 (566)	1119 (1516)		1547 (2096)

\*Use 75% of the specified torque value for plated fasteners. Use 85% of the specified torque values for lubricated fasteners.

Notes:





