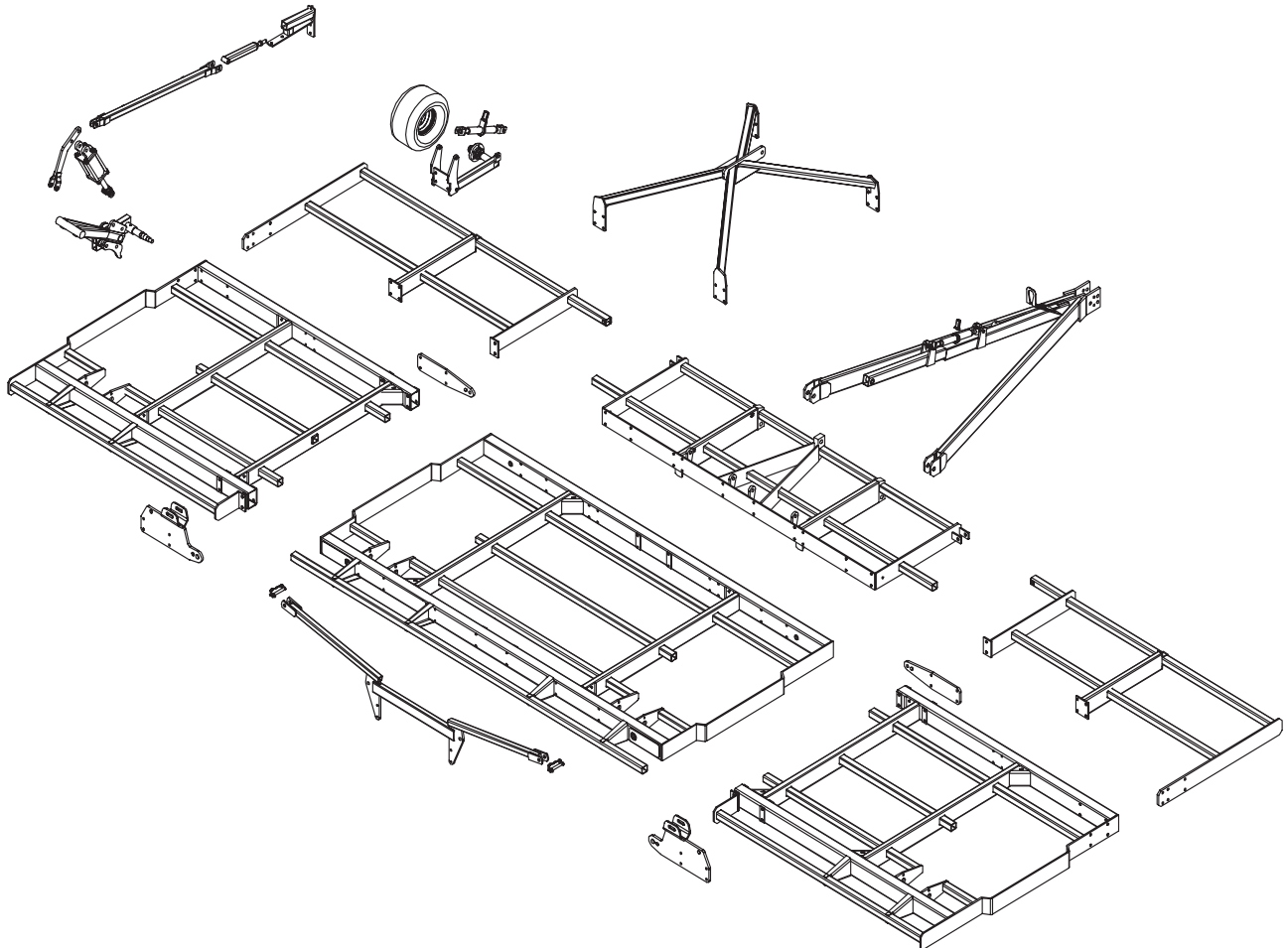


VIBRO TILL 2900

Field Cultivator - Spare Parts List

Kongskilde
2900



Models

| | | |
|-----------|----------|------------------|
| 601230187 | 2903-50 | Cultivator (16') |
| 601230188 | 2903-60 | Cultivator (20') |
| 601230189 | 2903-70 | Cultivator (23') |
| 601230190 | 2903-80 | Cultivator (26') |
| 601230191 | 2904-70 | Cultivator (23') |
| 601230192 | 2904-80 | Cultivator (26') |
| 601230193 | 2904-90 | Cultivator (29') |
| 601230194 | 2904-100 | Cultivator (33') |

Table of Contents

| | |
|--|----|
| Introduction: | 3 |
| Hitch Assembly | 4 |
| 3M (10') Center Frame Assembly | 6 |
| 4M (13') Center Frame Assembly | 8 |
| 3M (10') Center Linkage Assembly | 10 |
| 4M (13') Center Linkage Assembly | 12 |
| Center Tandem Wheel Assembly - 5000 lb. | 14 |
| Wing Frame Assembly | 16 |
| Wing Wheel Linkage Assembly | 18 |
| Hydraulic Layouts | 20 |
| Hydraulic Cylinders | 22 |
| Tines and Shares | 24 |
| Gauge Wheel Package - Optional | 26 |
| Single Point Depth Control - Optional | 28 |
| Light Kit - Optional | 30 |
| Rear Hitch - Optional | 32 |
| Rear Jack - Optional | 32 |



Introduction:

Please take the time to carefully read all the instruction booklets provided with your new Kongskilde product. Once you are finished reading do not throw these guides out. Keep them for later review.

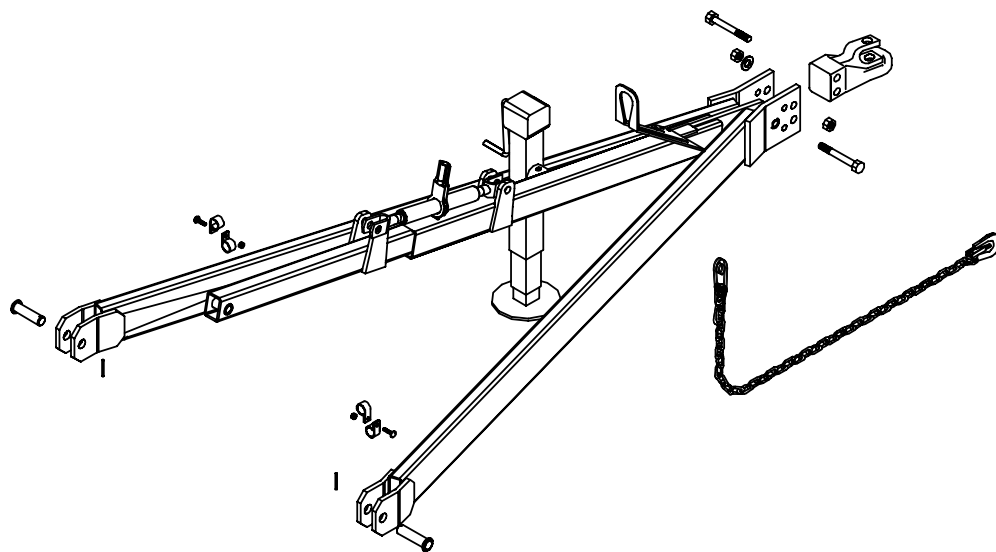
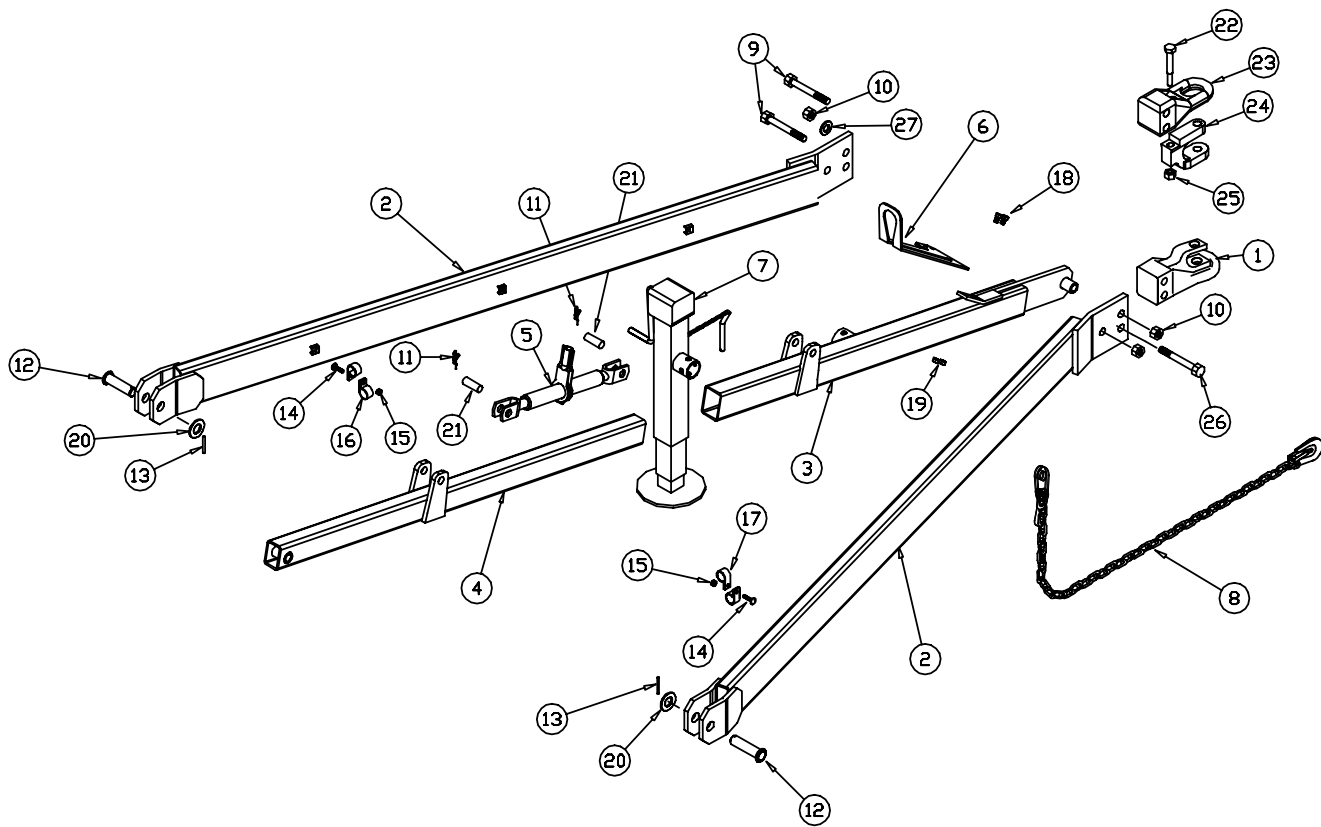
The "Assembly Instructions" references this guide. We suggest having this book on hand during the assembly process.

Accessories may have their own instruction guide. Please read the relevant booklets for instructions on how to perform the installation of accessories. (Harrows, light kit etc.)

Be sure to read and understand the "Owner's Manual" before operating this equipment. It contains information about adjustment settings, operating instructions and safety precautions.

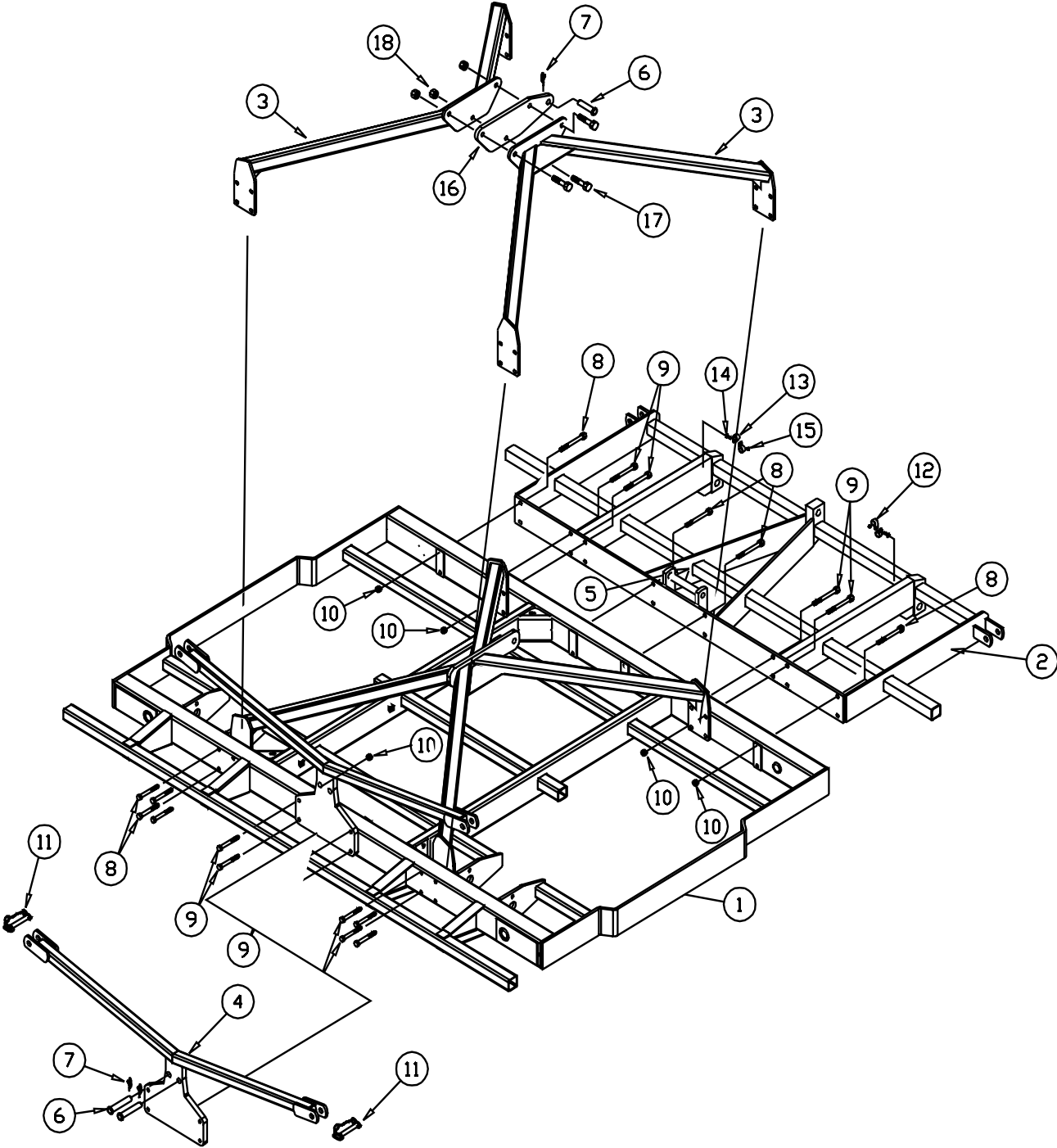
Please fill out and return the Owners Registration and Warranty Form provided in the Owners Manual to activate the warranty.

Hitch Assembly



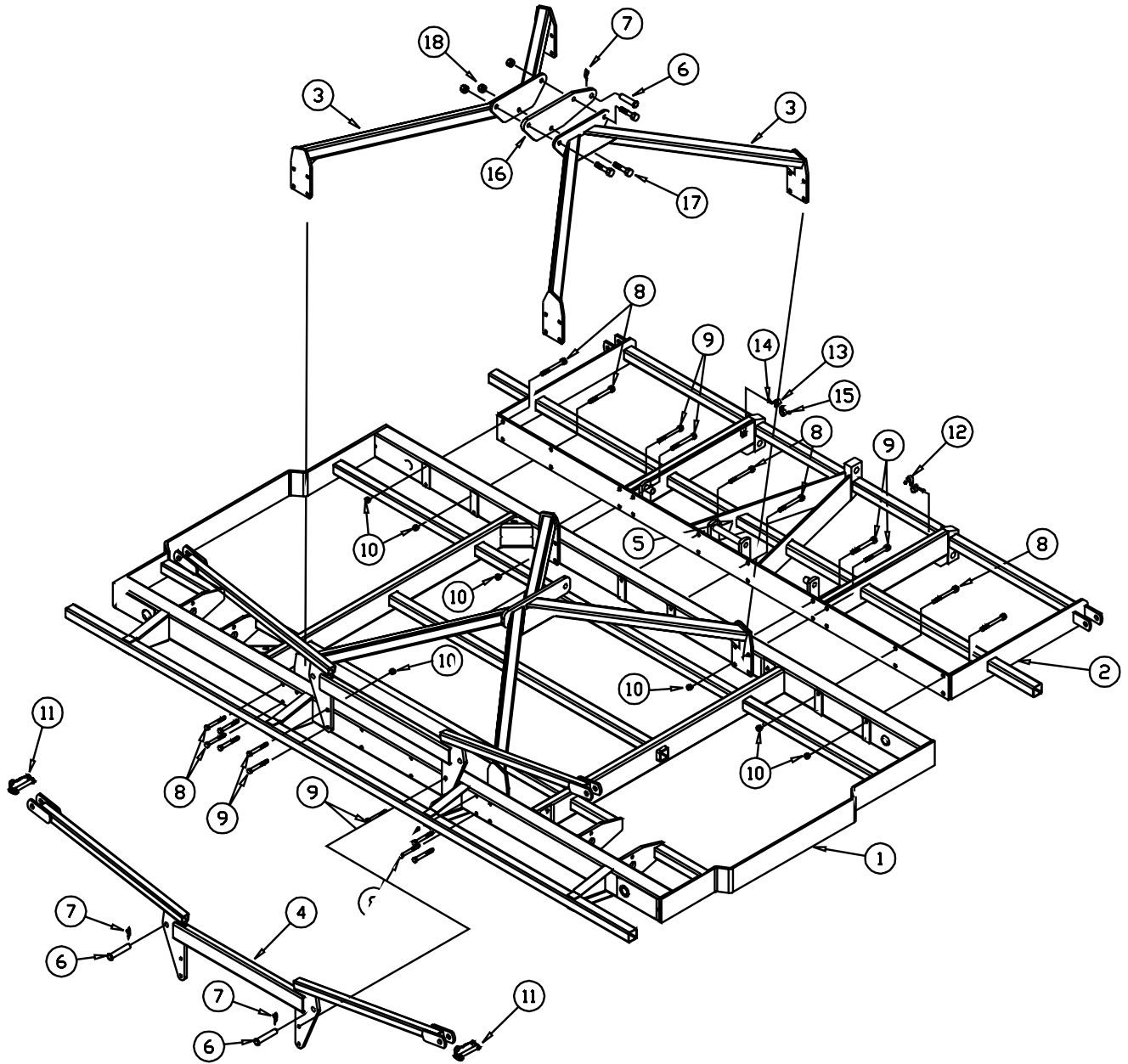
| Fig. | Part no. | Description |
|------|-----------|---|
| 1 | 601140769 | Hitch - Cat 3 Clevis (Includes items 22 - 25) |
| | 601140770 | Hitch - Cat 4 Pindle Style (No Clevis) |
| 2 | 601232222 | 2800 Series Hitch Weldment |
| 3 | 601232229 | 2800 Sliding Top Link Outer Tube Weldment |
| 4 | 601232282 | 2800 HD Top Link, Inner Tube |
| 5 | 600600267 | 2800 HD Turnbuckle - SL1541 |
| 6 | 600232233 | Hose Holder Tower |
| 7 | 601231223 | Jack Twl 190 Dl - B |
| 8 | 600461011 | A.S.A.E. Safety Chain Assembly |
| 9 | 600355054 | Bolt 1" x 6 1/2" |
| 10 | 600366032 | Locknut 1" Stover |
| 11 | 600383117 | Ring Cotter Pin 1" |
| 12 | 600383121 | Pin 1 1/4" x 3 3/4" - 95mm |
| 13 | 600383013 | Roll Pin 3/8" x 2 1/2" |
| 14 | 600361039 | Carriage Bolt 1/4" x 1" |
| 15 | 600365006 | Locknut 1/4" |
| 16 | 600470470 | Hose Clamp 1/2" |
| 17 | 600470007 | Hose Clamp 3/8" |
| 18 | 600355044 | Bolt 1/2" x 1 1/2" |
| 19 | 600366030 | Locknut 1/2" Stover |
| 20 | 600381019 | Washer 1 1/4" |
| 21 | 600383110 | Pin 1-107mm |
| 22 | 600373060 | Bolt 3/4" x 5" Grade 8 |
| 23 | 601140771 | Cat 3 - Base Hitch |
| 24 | 601140772 | Cat 3 - Clevis Insert |
| 25 | 600366024 | Locknut 3/4" Grade 8 |
| 26 | 600355027 | Bolt 1" x 8" |
| 27 | 600381018 | Flatwasher 1" |

3m (10ft) Center Frame Assembly



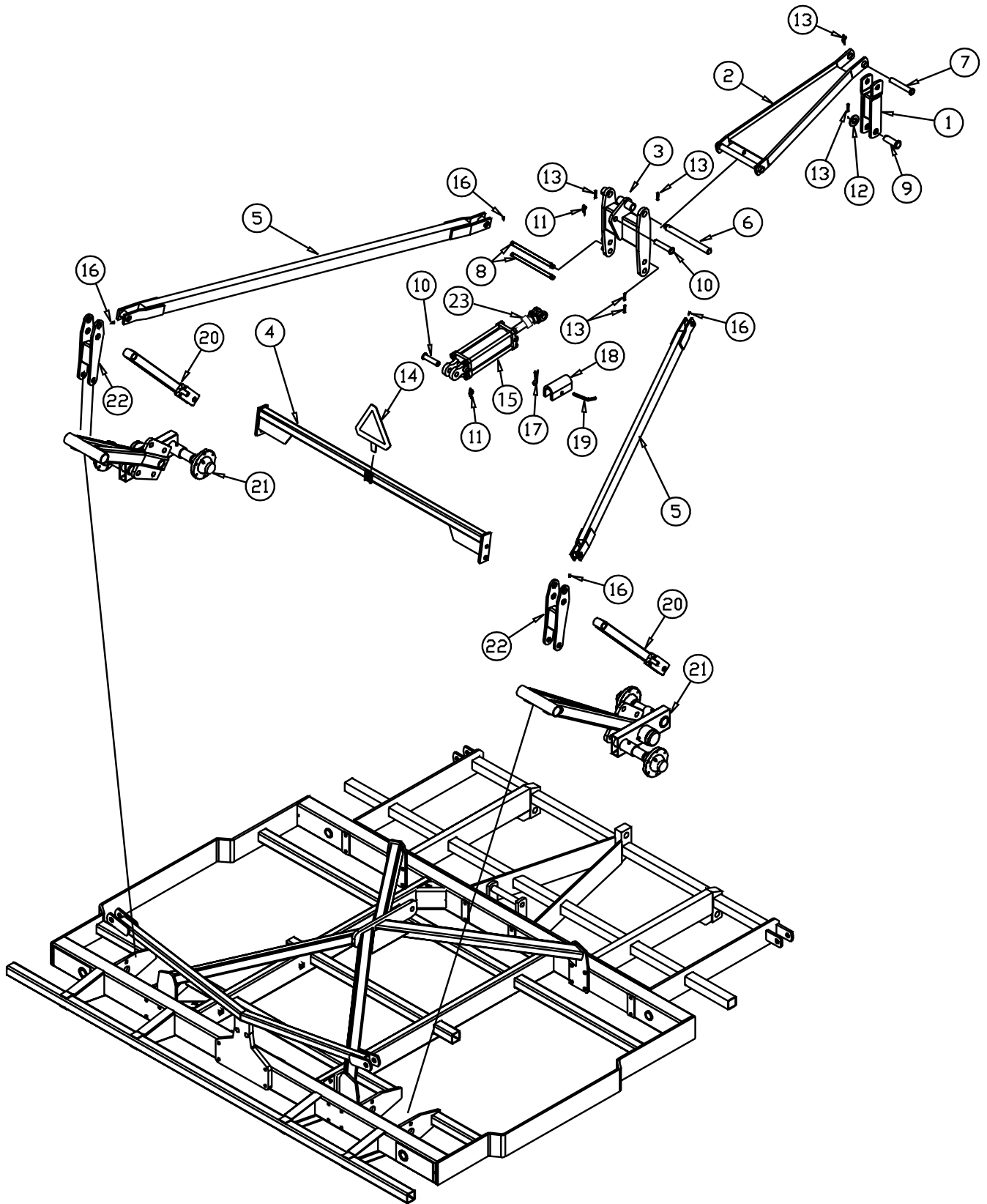
| Fig. | Part no. | Description |
|------|-----------|---------------------------------|
| 1 | 601232300 | 2900 Centre Frame - 3M |
| 2 | 601232312 | 2900 Centre Front Frame - 3M |
| 3 | 601232357 | 2900 Top Frame |
| 4 | 601232324 | 2900 Fold Anchor - 3M |
| 5 | 600471000 | Grease Fitting 1/4"-28 |
| 6 | 600383136 | Pin 1" x 85mm (3 3/8") |
| 7 | 600383117 | Ring CotterPin 1" |
| 8 | 600355030 | Bolt 5/8" x 5-1/2" Gr. 8 Plated |
| 9 | 600355031 | Bolt 5/8" x 6" Gr. 8 Plated |
| 10 | 600366031 | Locknut 5/8" |
| 11 | 600383122 | Pin and Chain - 3/4" x 4 1/4" |
| 12 | 600470007 | Hose Clamp 3/8" |
| 13 | 600470047 | Hose Clamp 1/2" |
| 14 | 600361039 | Carriage Bolt 1/4" x 1" |
| 15 | 600365006 | Standard Nut 1/4" |
| 16 | 601232358 | Top Frame Connection Plate |
| 17 | 600355046 | Bolt 3/4" x 2 1/2" Gr. 8 Plated |
| 18 | 600366024 | Locknut 3/4" |

4m (13ft) Center Frame Assembly



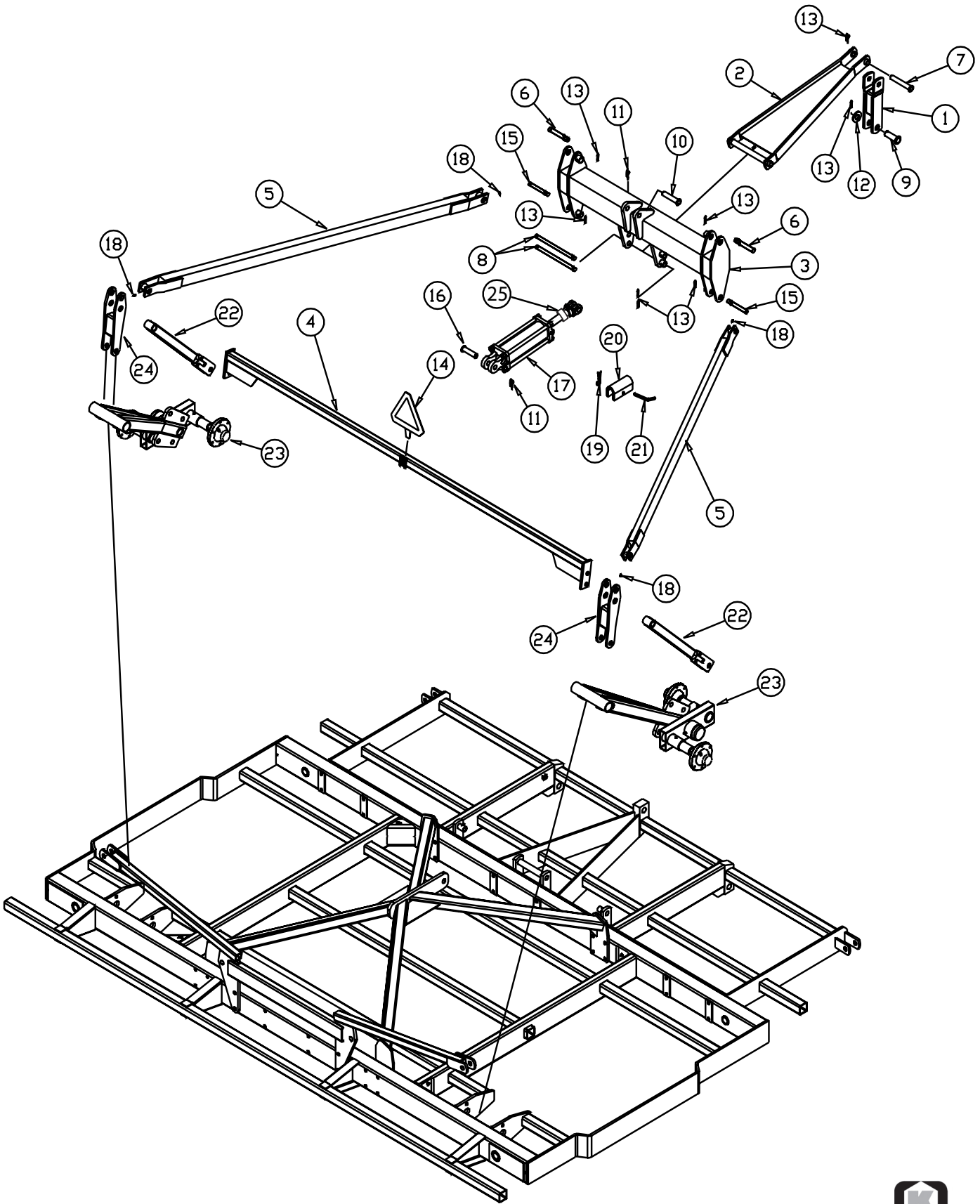
| Fig. | Part no. | Description |
|------|-----------|---------------------------------|
| 1 | 601232301 | 2900 Centre Frame - 4M |
| 2 | 601232313 | 2900 Centre Front Frame -4M |
| 3 | 601232357 | 2900 Top Frame |
| 4 | 601232323 | 2900 Fold Anchor - 4M |
| 5 | 600471000 | Grease Fitting 1/4"-28 |
| 6 | 600383136 | Pin 1" x 85mm (3 3/8") |
| 7 | 600383117 | Ring Cotter Pin 1" |
| 8 | 600355030 | Bolt 5/8" x 5-1/2" Gr. 8 Plated |
| 9 | 600355031 | Bolt 5/8" x 6" Gr. 8 Plated |
| 10 | 600366031 | Locknut 5/8" |
| 11 | 600383122 | Pin and Chain - 3/4" x 4 1/4" |
| 12 | 600470007 | Hose Clamp 3/8" |
| 13 | 600470047 | Hose Clamp 1/2" |
| 14 | 600361039 | Carriage Bolt 1/4" x 1" |
| 15 | 600365006 | Standard Nut 1/4" |
| 16 | 601232358 | Top Frame Connection Plate |
| 17 | 600355046 | Bolt 3/4" x 2 1/2" Gr. 8 Plated |
| 18 | 600366024 | Locknut 3/4" |

3M (10') Center Linkages



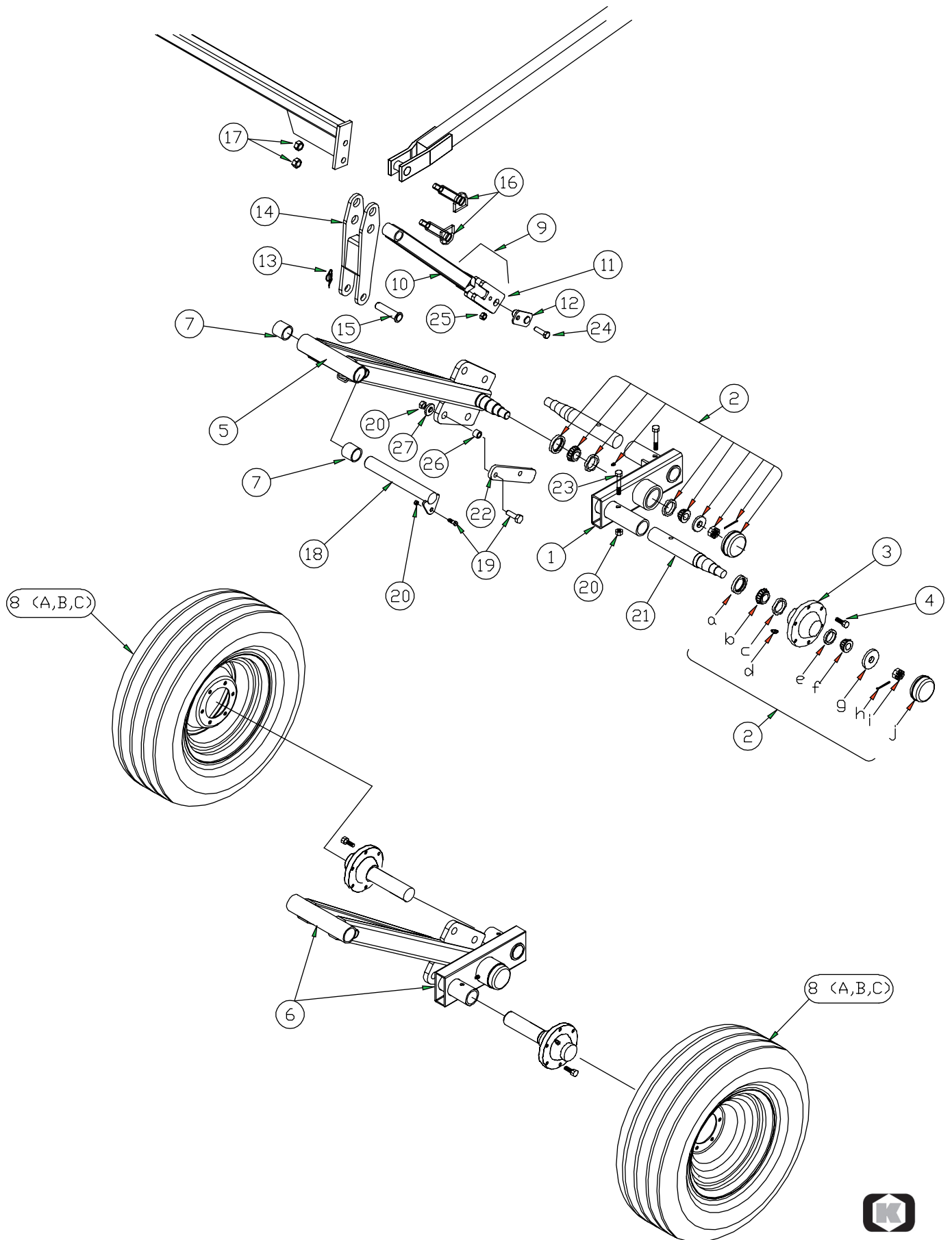
| Fig. | Part no. | Description |
|------|-----------|--|
| 1 | 601232266 | Hitch Pivot Link |
| 2 | 601232254 | Self Leveling Linkage |
| 3 | 601232256 | Main Pivot Bracket - 3m (10') Centre |
| 4 | 601232067 | Centre Wheel Connector 3m (10') Centre (78" Long) |
| 5 | 601232255 | Centre Wheel Link |
| 6 | 600383135 | Front Linkage Pin Narrow |
| 7 | 600383131 | Pin 1 1/4" x 165mm (6 1/2") - Hitch Top Link |
| 8 | 600383130 | Pivot Arm Pin |
| 9 | 600383121 | Pin 1 1/4" x 95mm (3 3/4") |
| 10 | 600383136 | Cylinder Pin 1" x 85mm (3 3/8") |
| 11 | 600383117 | Ring Cotter Pin 1" |
| 12 | 600381019 | Flat Washer 1 1/4" |
| 13 | 600383013 | Roll Pin 3/8" x 2 1/2" |
| 14 | 601140845 | SMV Sign Assembly |
| 15 | 600474625 | Cylinder 4-1/2" x 8" Rephasing (Prince) |
| 16 | 600471000 | Grease Fitting 1/4"-28 |
| 17 | 600333011 | Hair Pin 4mm |
| 18 | 601232367 | Transport Stop |
| 19 | 601140780 | Rear Jack Stop Pin |
| 20 | 601231287 | Adjustable Wheel Link (see page 12 for breakdown) |
| 21 | 601231372 | Wheelarm Assembly 5000 lb. (see page 12 for breakdown) |
| 22 | 601232081 | Center Wheel Tower |
| 23 | 600474628 | Stop Collar Kit (2" Rod) |

4M (13') Center Linkages



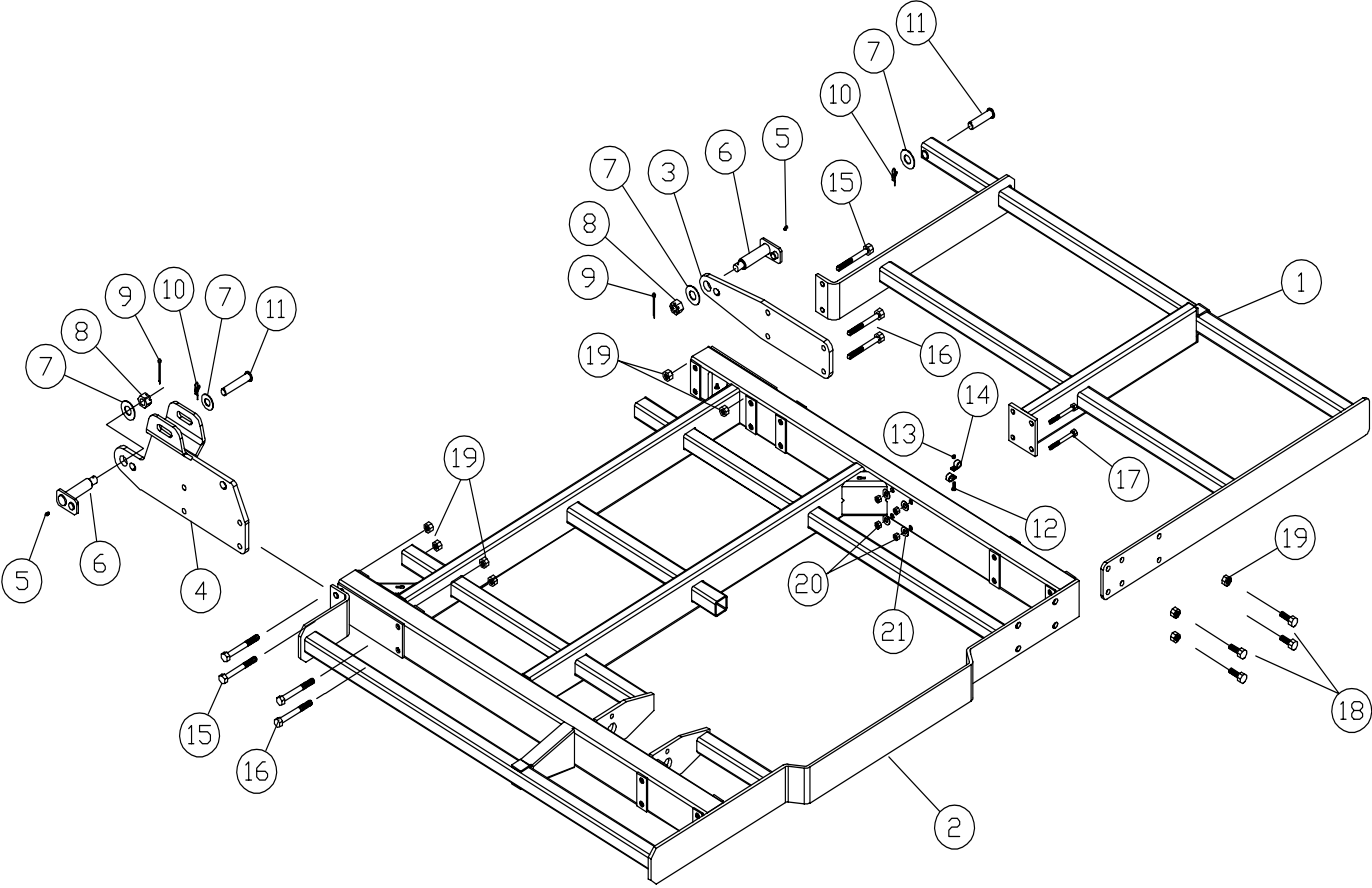
| Fig. | Part no. | Description |
|------|-----------|--|
| 1 | 601232266 | Hitch Pivot Link |
| 2 | 601232254 | Self Leveling Linkage |
| 3 | 601232257 | Main Pivot Bracket - 4m (13') Centre |
| 4 | 601232107 | Centre Wheel Connector 4m (13') Centre (117" Long) |
| 5 | 601232255 | Centre Wheel Link |
| 6 | 600383132 | Front Linkage Pin Wide Center |
| 7 | 600383131 | Pin 1 1/4" x 165mm (6 1/2") - Hitch Top Link |
| 8 | 600383130 | Pivot Arm Pin |
| 9 | 600383121 | Pin 1 1/4" x 95mm (3 3/4") |
| 10 | 600383118 | Cylinder Pin 1" x 123mm (4 7/8") |
| 11 | 600383117 | Ring Cotter Pin 1" |
| 12 | 600381019 | Flat Washer 1 1/4" |
| 13 | 600383013 | Roll Pin 3/8" x 2 1/2" |
| 14 | 601140845 | SMV Sign Assembly |
| 15 | 600383129 | Pivot Arm Base Pin Wide Center |
| 16 | 600383136 | Pin 1" x 85mm (3 3/8") |
| 17 | 600474625 | Cylinder 4-1/2" x 8" Rephasing (Prince) |
| 18 | 600471000 | Grease Fitting 1/4"-28 |
| 19 | 600333011 | Hair Pin 4mm |
| 20 | 601232367 | Transport Stop |
| 21 | 601140780 | Rear Jack Stop Pin |
| 22 | 601231287 | Adjustable Wheel Link (see page 12 for breakdown) |
| 23 | 601231372 | Wheelarm Assembly 5000 lb. (see page 12 for breakdown) |
| 24 | 601232081 | Center Wheel Tower |
| 25 | 600474628 | Stop Collar Kit (2" Rod) |

Center Tandem Wheel Assembly



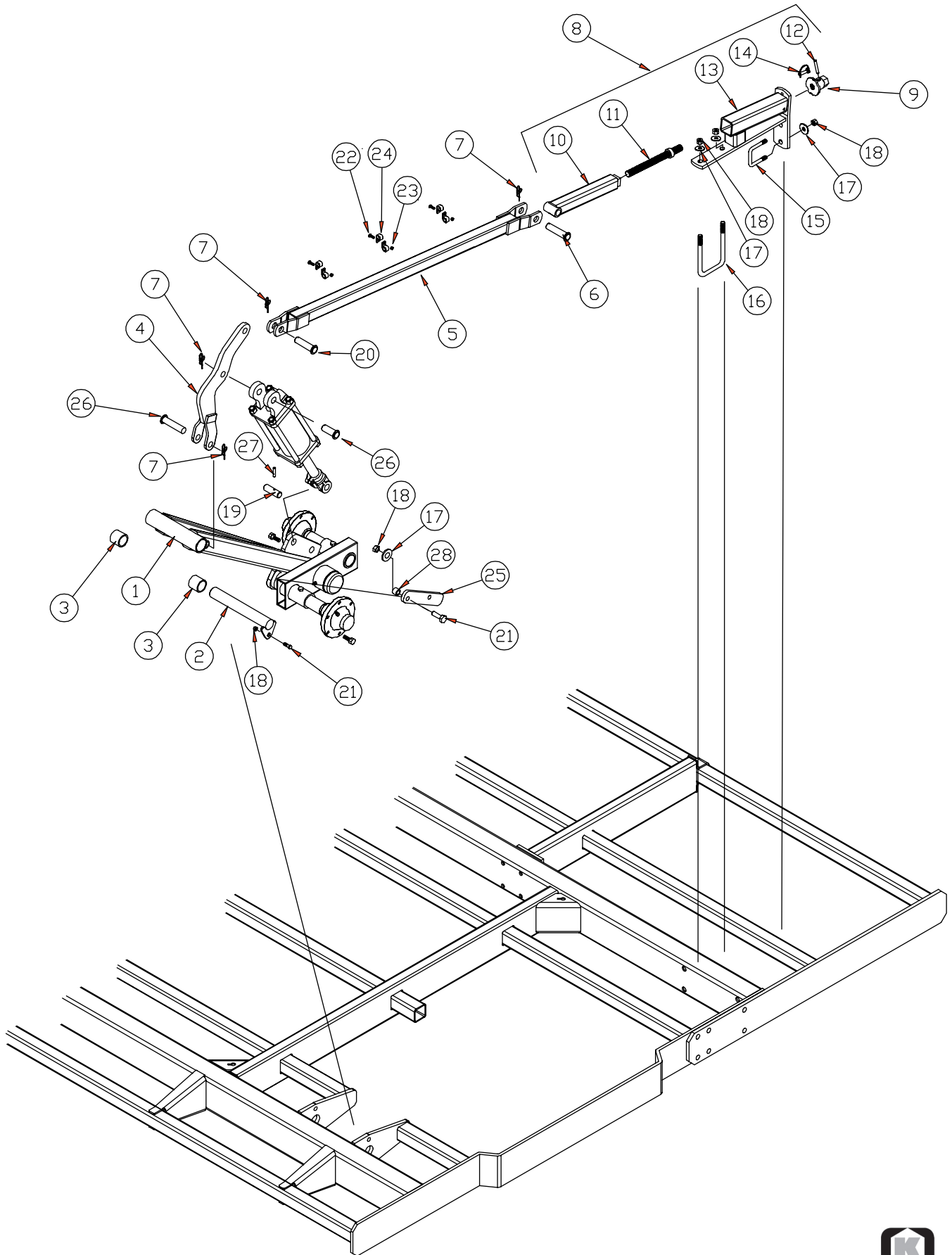
| Fig. | Part no. | Description |
|------|-----------|--|
| 1 | 601232343 | Tandem 5000 lb. |
| 2 | 600473002 | Bearing Kit 5000 lb. |
| | 600473017 | Hub Complete 5000 lb. (Includes items 2, 3, 4) |
| | 601231261 | Spindle and Hub Assembly 5000 lb. (Includes items 2, 3, 4, 21) |
| 2a | 600473001 | Bearing Seal CR20044 (5000lb Hub) |
| 2b | 600452006 | Rear Cone LM603049 (Bearing) |
| 2c | 600452007 | Rear Race LM603011 |
| 2d | 600471000 | Grease Fitting 1/4"-28 |
| 2e | 600452003 | Front Race LM48510 |
| 2f | 600452002 | Front Cone LM48548 (Bearing) |
| 2g | 600381021 | SAE - 1000 Washer |
| 2h | 600383003 | Cotter Pin 3/16" x 1 3/4" |
| 2i | 600366012 | Slotted Nut 1" UNF (SF114) |
| 2j | 600473006 | Dust Cap 473-5000 lb. Hub |
| 3 | 606001186 | Hub 5000 lb. |
| 4 | 600373006 | Lug Bolt 9/16"-18 |
| 5 | 601232335 | 2800 Wheel Arm (Replaces 601232265) |
| 6 | 601231372 | 2800 Tandem Wheel Assembly (Items 1 to 5) |
| 7 | 601242224 | Pivot Bushing |
| 8 | 600473104 | Tire, Tube & Rim Assembly 950 x 15 - 12 Ply - Centre |
| 8A | 600473103 | Tire 950 x 15 - 12 Ply |
| 8B | 600473010 | Tube 950 x 15 |
| 8C | 606001297 | Rim 15 x 8 x 6 Bolt |
| 9 | 601231287 | Adjustable Center Wheel Link Assembly |
| 10 | 601232198 | Centre Wheel Linkage Tube |
| 11 | 601232279 | Centre Wheel Linkage Eye Bolt |
| 12 | 601232253 | Centre Wheel Link Pin |
| 13 | 600383117 | Ring Cotter Pin 1" |
| 14 | 601232081 | Centre Wheel Tower |
| 15 | 600383109 | Pin 1" x 95mm (3 3/4") |
| 16 | 601232258 | Wheel Link Pin |
| 17 | 600366024 | Locknut 3/4" |
| 18 | 601232033 | Wheel Axle |
| 19 | 600355028 | Bolt 5/8" x 2" Gr. 8 Plated |
| 20 | 600366031 | Locknut 5/8" |
| 21 | 601233573 | 5000 lb. Spindle 375mm (14 3/4") Long |
| 22 | 601232322 | Wheel Block Stop |
| 23 | 600355014 | Bolt 5/8" x 3 1/2" Gr. 8 Plated |
| 24 | 600356022 | Bolt 1/2" x 2 1/2" |
| 25 | 600366030 | Locknut 1/2" |
| 26 | 600232334 | Wheel Block Bushing |
| 27 | 600381020 | Flatwasher 5/8" |

Wing Frame Assembly



| Fig. | Part no. | Description |
|------|-----------|--|
| 1 | 601232311 | 2900 1.0m Wing Front Frame (2803-5M / 16') |
| | 601232310 | 2900 1.5m Wing Front Frame (2803-6M / 20') (2804-7M / 23') |
| | 601232309 | 2900 2.0m Wing Front Frame (2803-7M / 23') (2804-8M / 26') |
| | 601232308 | 2900 2.5m Wing Front Frame (2803-8M / 26') (2804-9M / 29') |
| | 601232307 | 2900 3.0m Wing Front Frame (2804-10M / 33') |
| 2 | 601232306 | 2900 1.0m Wing Frame (2803-5M / 16') |
| | 601232305 | 2900 1.5m Wing Frame (2803-6M / 20') (2804-7M / 23') |
| | 601232304 | 2900 2.0m Wing Frame (2803-7M / 23') (2804-8M / 26') |
| | 601232303 | 2900 2.5m Wing Frame (2803-8M / 26') (2804-9M / 29') |
| | 601232302 | 2900 3.0m Wing Frame (2804-10M / 33') |
| 3 | 601232338 | 2900 Front Hinge Plate |
| 4 | 601232325 | 2900 rear Hinge Plate - 100 degree |
| 5 | 600471000 | Grease Fitting 1/4"-28 |
| 6 | 601232250 | Hinge Pin 1 1/2" - Greasable |
| 7 | 600381018 | Flatwasher 1" |
| 8 | 600366034 | Slotted Nut 1" UNF |
| 9 | 600383003 | Cotter Pin 3/16" x 1 3/4" |
| 10 | 600383117 | Ring Cotter Pin 1" |
| 11 | 600383119 | Pin 1" x 112mm (4 3/8") |
| 12 | 600361039 | Carriage Bolt 1/4" x 1" Plated |
| 13 | 600365000 | 1/4" Nut |
| 14 | 600470047 | Hose Clamp 1/2" |
| 15 | 600355036 | Bolt 3/4" x 7" Gr. 8 Plated |
| 16 | 600355026 | Bolt 3/4" x 6 1/2" Plated |
| 17 | 600355030 | Bolt 5/8" x 5 1/2" Gr. 8 Plated |
| 18 | 600355019 | Bolt 3/4" x 2" Gr. 8 Plated |
| 19 | 600366024 | Locknut 3/4" |
| 20 | 600366031 | Locknut 5/8" |
| 21 | 600381020 | Flatwasher 5/8" |

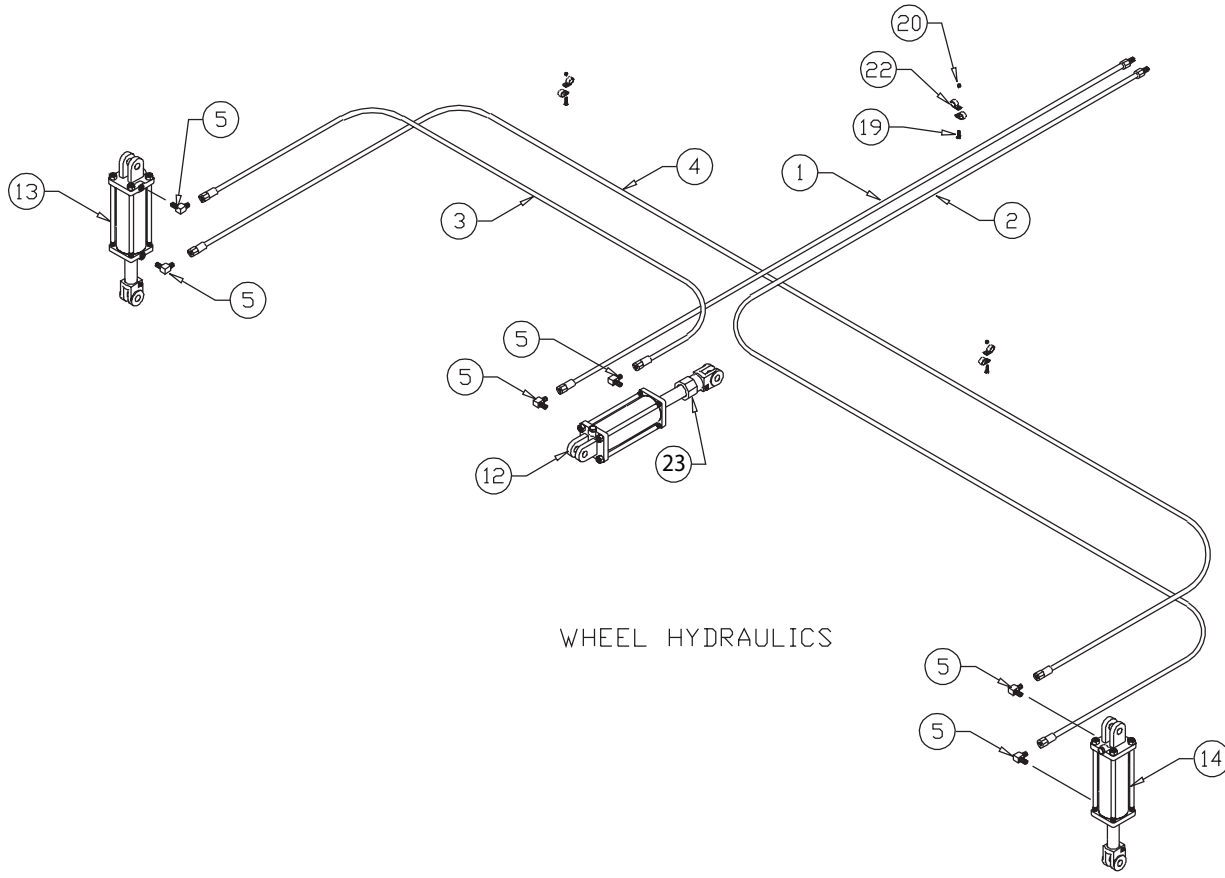
Wing Wheel Linkage Assembly



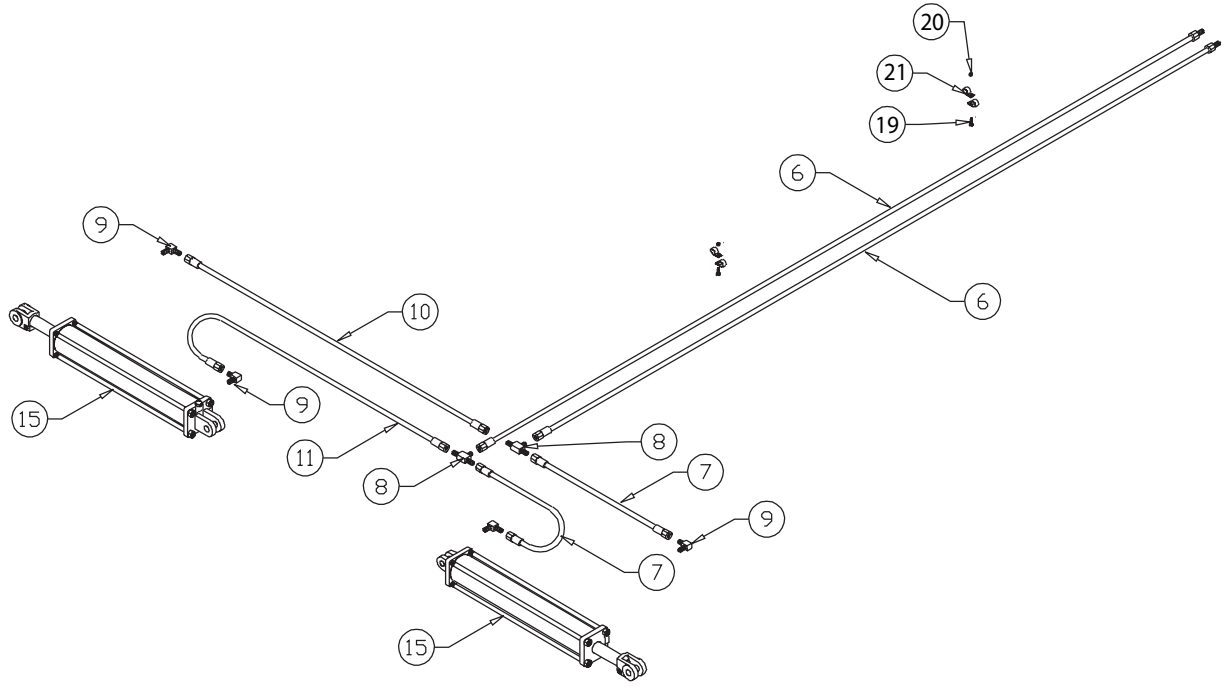
| Fig. | Part no. | Description |
|------|-----------|--|
| 1 | 601231372 | 5000 lb. Tandem Wheel Arm Assembly (See page 12 for breakdown) |
| 2 | 601232033 | Wheel Axle Weldment |
| 3 | 601242224 | Pivot Bushing |
| 4 | 601232340 | Wing Wheel Tower |
| 5 | 601232144 | Wing Wheel Linkage |
| 6 | 600383109 | Pin 1" x 3-3/4" (95mm) |
| 7 | 600383117 | Ring Cotter Pin 1" |
| 8 | 601231043 | Wing Slider Housing Assembly (Items 9 to 14) |
| 9 | 601242378 | Adjustment Casting 1" ACME |
| 10 | 601242342 | Adjustment Slider 1" ACME |
| 11 | 601242356 | Wheel Adjustment Thread 1" ACME |
| 12 | 600383051 | Roll Pin 10mm x 40mm |
| 13 | 601232076 | Wing Slider Housing |
| 14 | 600383050 | Tab Lock Pin 3/8" |
| 15 | 600373066 | U-Bolt 5/8" x 2-1/2" x 3-3/4" Plated |
| 16 | 601019049 | U-Bolt 5/8" x 4" x 7-1/4" Plated |
| 17 | 600381020 | Flatwasher 5/8 Plated |
| 18 | 600366031 | Locknut 5/8" |
| 19 | 600383137 | Wing Cylinder Pin |
| 20 | 600383108 | Pin 1" x 2-1/4" (55mm) |
| 21 | 600355028 | Bolt 5/8" x 2" Gr. 8 Plated |
| 22 | 600361039 | Carriage Bolt 1/4" x 1" Plated |
| 23 | 600365006 | Locknut 1/4" |
| 24 | 600470047 | Hose Clamp 1/2" |
| 25 | 601232322 | Wheel Block Stop |
| 26 | 600383136 | Pin 1" x 85mm (3 3/8") |
| 27 | 600383028 | Roll Pin 5/16" x 2" |
| 28 | 601232334 | Wheel Block Bushing |

Cylinder Sizes are listed on page ... 18 & 19

Hydraulic Layouts



WHEEL HYDRAULICS

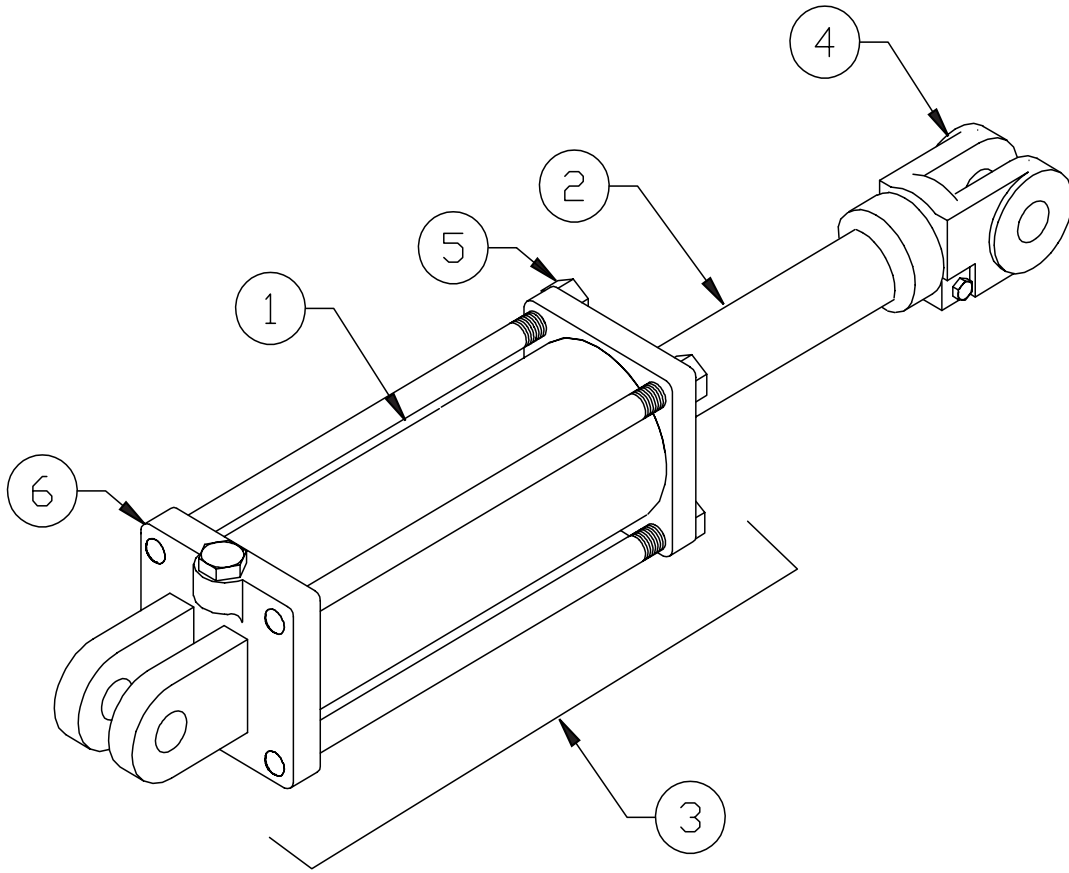


FOLD HYDRAULICS



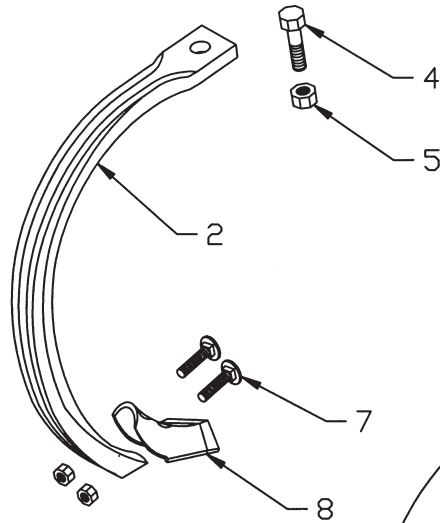
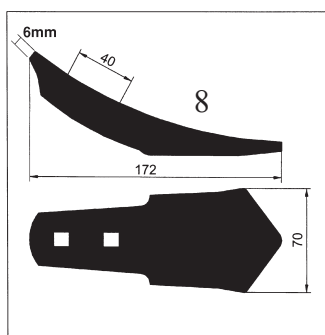
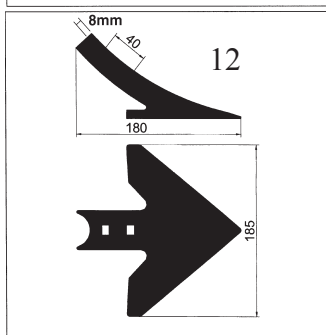
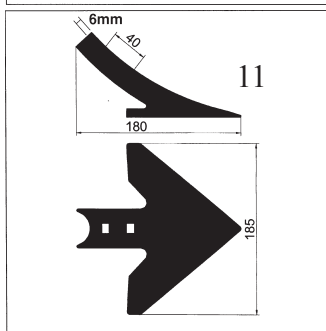
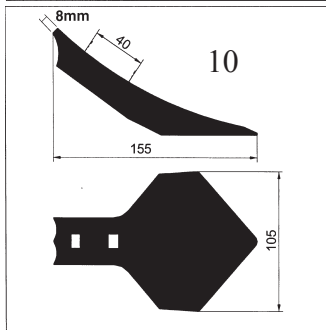
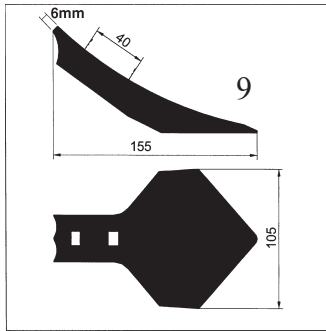
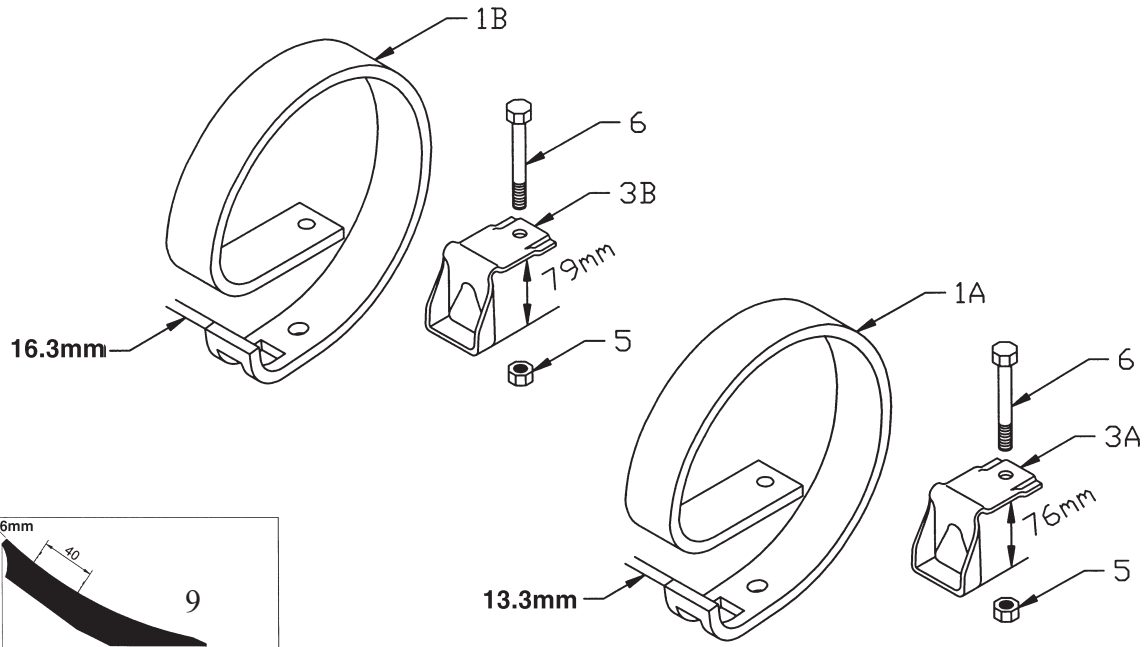
| Fig. | Part no. | Description |
|------|-----------|---|
| 1 | 600470233 | 1/2" Hose 1/2" Pipe x 1/2" JIC - 240" all models (2 req'd on non-fold models) |
| 2 | 600470244 | 1/2" Hose 1/2" Pipe x 1/2" JIC - 397" (6M-20' Machine) |
| | 600470235 | 1/2" Hose 1/2" Pipe x 1/2" JIC - 417" (7M-23' Machine) |
| | 600470245 | 1/2" Hose 1/2" Pipe x 1/2" JIC - 437" (8M-26' Machine) |
| | 600470234 | 1/2" Hose 1/2" Pipe x 1/2" JIC - 457" (9M-30' Machine) |
| | 600470269 | 1/2" Hose 1/2" Pipe x 1/2" JIC - 477" (10M-33' Machine) |
| 3 | 600470182 | 1/2" Hose 1/2" JIC x 1/2" JIC - 175" (6M-20' Machine) |
| | 600470239 | 1/2" Hose 1/2" JIC x 1/2" JIC - 195" (7M-23' Machine) |
| | 600470177 | 1/2" Hose 1/2" JIC x 1/2" JIC - 215" (8M-26' Machine) |
| | 600470137 | 1/2" Hose 1/2" JIC x 1/2" JIC - 235" (9M-30' Machine) |
| | 600470272 | 1/2" Hose 1/2" JIC x 1/2" JIC - 255" (10M-33' Machine) |
| 4 | 600470147 | 1/2" Hose 1/2" JIC x 1/2" JIC - 310" (6M-20' Machine) |
| | 600470149 | 1/2" Hose 1/2" JIC x 1/2" JIC - 350" (7M-23' Machine) |
| | 600470151 | 1/2" Hose 1/2" JIC x 1/2" JIC - 390" (8M-26' Machine) |
| | 600470153 | 1/2" Hose 1/2" JIC x 1/2" JIC - 430" (9M-30' Machine) |
| | 600470273 | 1/2" Hose 1/2" JIC x 1/2" JIC - 470" (10M-33' Machine) |
| 5 | 600470049 | Elbow 1/2" O-ring x 1/2" JIC - 90 Degree |
| 6 | 600470232 | 3/8" Hose 1/2" Pipe x 3/8" JIC - 280" (All Folding Models) |
| 7 | 600470243 | 3/8" Hose 3/8" JIC x 3/8" JIC - 16" (All Models) |
| 8 | 600470003 | Tee 3/8" JIC (All Models) |
| 9 | 600470124 | Elbow 1/2" O-ring x 3/8" JIC w/restrictor (All Models) |
| 10 | 600470103 | 3/8" Hose 3/8" JIC x 3/8" JIC -60" (Narrow Center 3M-10') |
| | 600470332 | 3/8" Hose 3/8" JIC x 3/8" JIC - 86" (Wide Center 4M-13') |
| 11 | 600470363 | 3/8" Hose 3/8" JIC x 3/8" JIC - 30" (Narrow Center 3M-10') |
| | 600470270 | 3/8" Hose 3/8" JIC x 3/8" JIC - 62" (Wide Center 4M-13') |
| 12 | 600474625 | Cylinder 4-1/2" x 8" Rephasing - Prince |
| 13 | 600474598 | Cylinder 4" x 8" Rephasing - Prince |
| 14 | 600474599 | Cylinder 3-3/4" x 8" Rephasing - Prince |
| 15 | 600474601 | Cylinder 4 x 24 - Prince |
| 19 | 600361039 | Carriage Bolt 1/4" x 1" |
| 20 | 600365006 | Locknut 1/4" |
| 21 | 600470007 | Hose Clamp 3/8" |
| 22 | 600470047 | Hose Clamp 1/2" |
| 23 | 600474628 | Stop Collar Kit (2" Rod) |

Cylinders

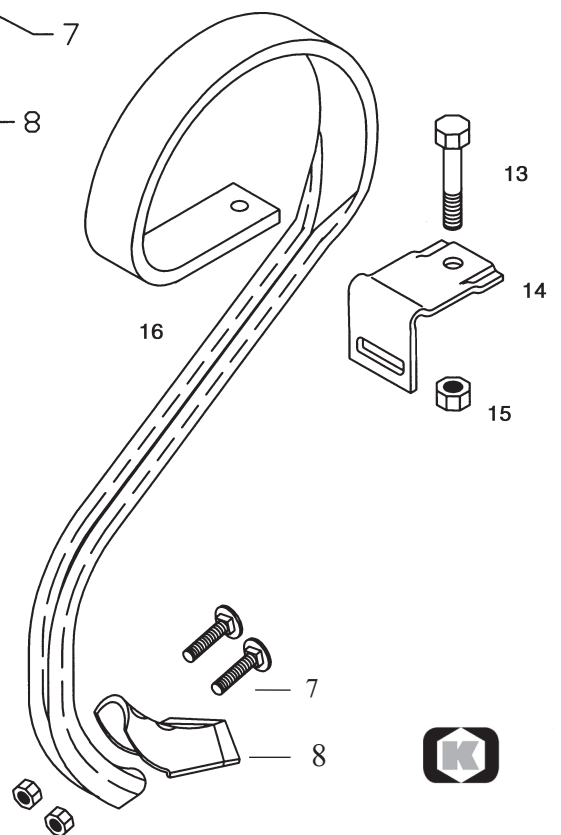


| Fig. | Part no. | Description |
|------|-----------|--|
| 1 | 600474625 | 4.5" x 8" Rephasing Cylinder - Prince |
| 2 | 600474654 | Cylinder Rod 4.5" x 8" |
| 3 | 600474637 | Seal Kit 4.5" x 8" |
| 4 | 600474655 | Clevis 4.5" x 8" |
| 5 | 600474656 | Tie Rod Assembly 4.5" x 8" |
| 6 | 600474657 | Butt Endcap 4.5" x 8" |
| 1 | 600474598 | 4.0" x 8" Rephasing Cylinder - Prince |
| 2 | 600474607 | Cylinder Rod 3.75" & 4" |
| 3 | 600474605 | Seal Kit 4.0" x 8" |
| 4 | 600474606 | Clevis 3.75" & 4" |
| 5 | 600474618 | Tie Rod Assembly 3.75" & 4" |
| 6 | 600474619 | Butt Endcap 4.0" x 8" |
| 1 | 600474599 | 3.75" x 8" Rephasing Cylinder - Prince |
| 2 | 600474607 | Cylinder Rod 3.75" & 4" |
| 3 | 600474608 | Seal Kit 3.75" x 8" |
| 4 | 600474606 | Clevis 3.75" & 4" |
| 5 | 600474618 | Tie Rod Assembly 3.75" & 4" |
| 6 | 600474621 | Butt Endcap 3.75" x 8" |
| 1 | 600474601 | 4.0" x 24" Cylinder - Prince |
| 2 | 600474612 | Cylinder Rod 4.0" x 24" |
| 3 | 600474613 | Seal Kit 4.0" x 24" |
| 4 | 600474614 | Clevis 4.0" x 24" |
| 5 | 600474616 | Tie Rod Assembly 4.0" x 24" |
| 6 | 600474617 | Butt Endcap 4.0" x 24" |

VTH-L630 & VTH630 Tines

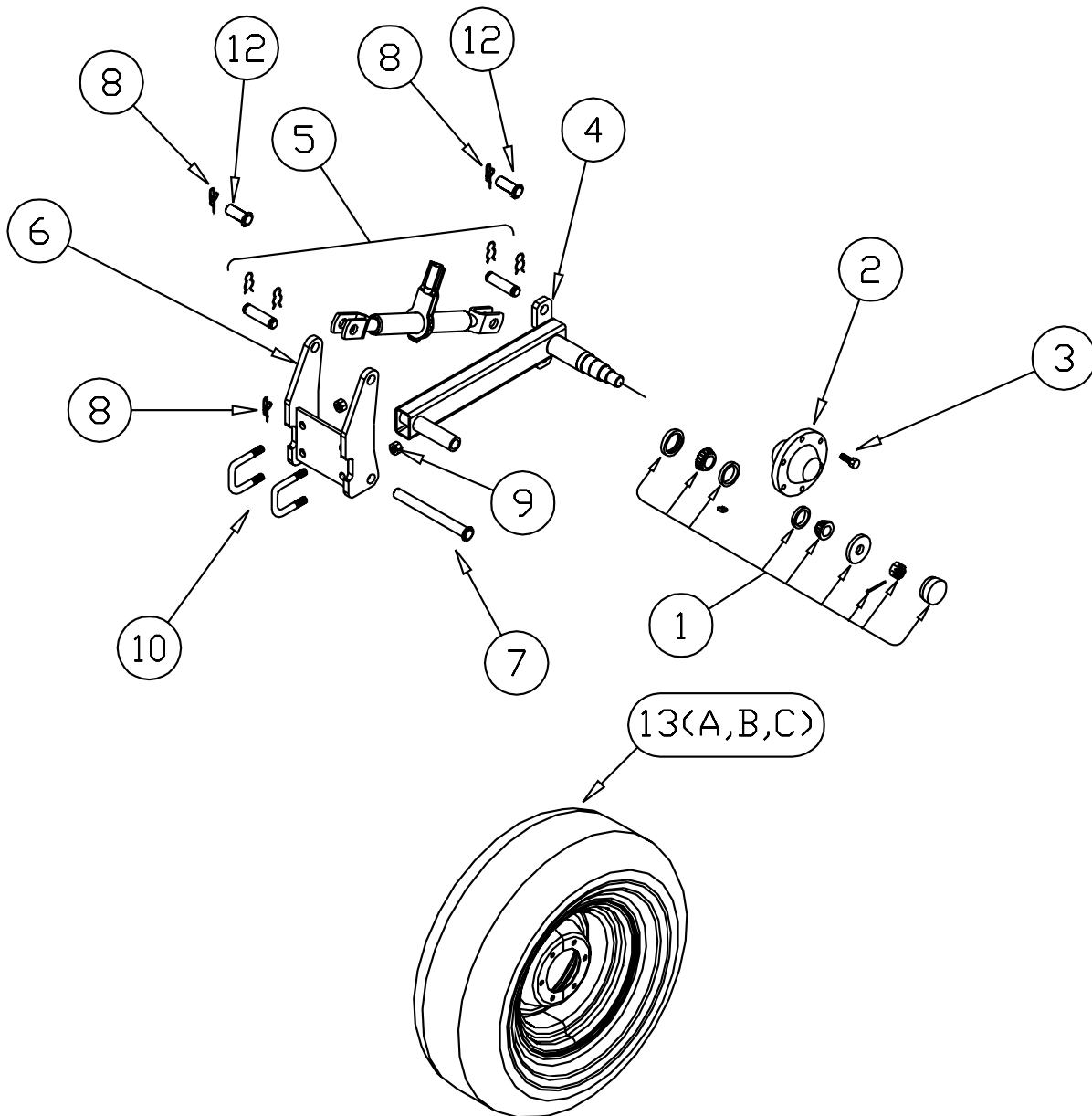


VTM 475 Tine



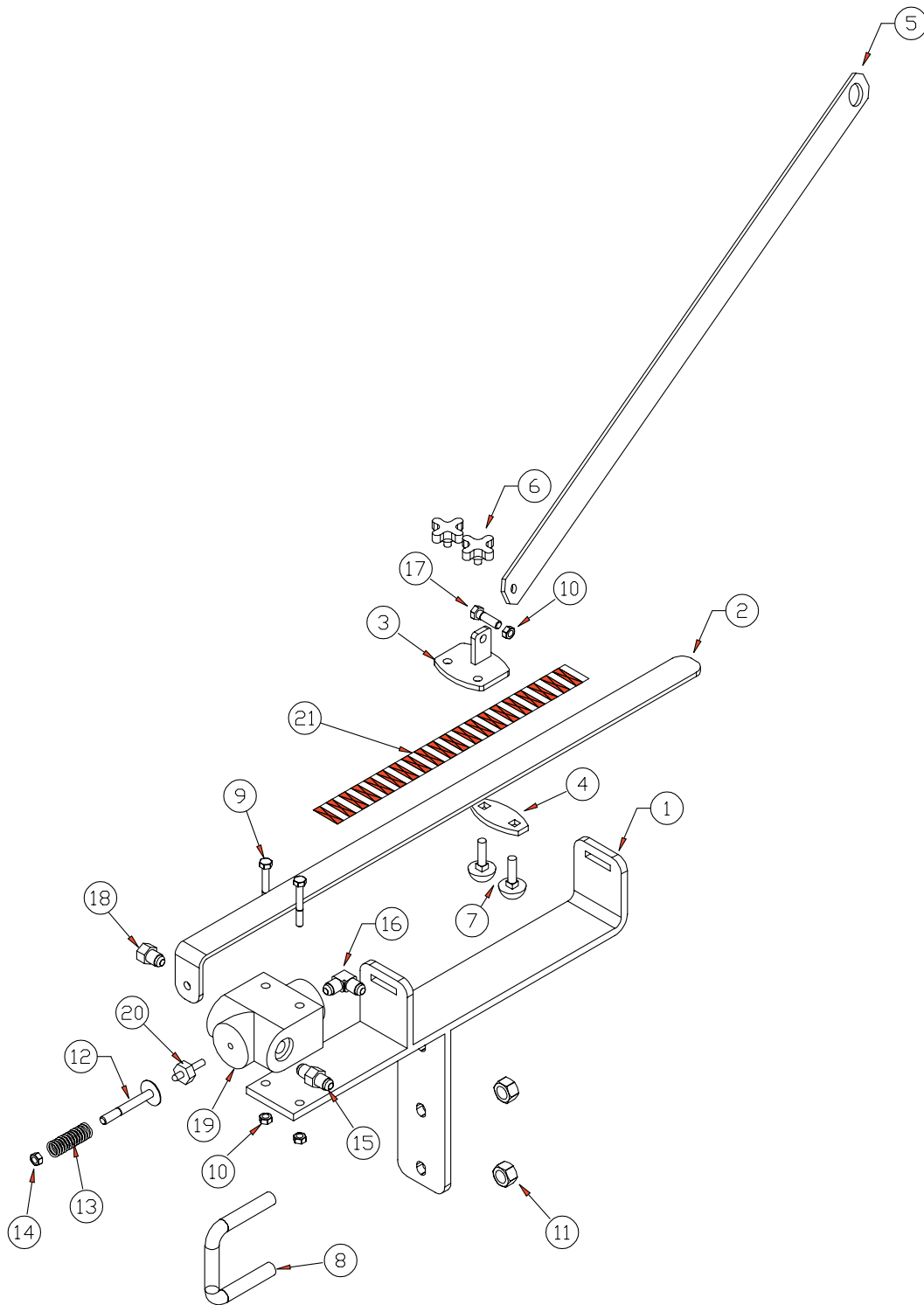
| Fig. | Part no. | Description |
|------|-----------|---|
| 1A | 101000835 | 12 x 65 VTH-L Coil |
| 1B | 101000836 | 15 x 65 VTH Coil |
| 2 | 101000837 | VTH Stem 50 x 10 |
| 3A | 101000838 | VTH-L Tine Clamp For 12 x 65 Coil |
| 3B | 101000839 | VTH Tine Clamp For 15 x 65 Coil |
| 4 | 600373076 | Bolt 5/8" UNF x 1-3/4" Gr.8 Plated |
| 5 | 600366025 | Stover Locknut 5/8" UNF Gr.8 Plated |
| 6 | 600373075 | Bolt 5/8" UNF x 4" Gr.8 Plated |
| 7 | 100323127 | M12 x 48 Share Bolt and Nut |
| 8 | 101002002 | 2-3/4" 6mm H.D. Goosefoot Share |
| 9 | 101002003 | 4" 6mm Sweep |
| 10 | 101002004 | 4" 8mm H.D. Sweep |
| 11 | 101002005 | 7" 6mm Sweep |
| 12 | 101002006 | 7" 8mm H.D. Sweep |
| 13 | 600356105 | Bolt 1/2" X 4" GR. 5 |
| 14 | 101000774 | Clamp For Vtm 475 - (2 1/2" Tube) |
| 15 | 600366030 | Stover Locknut 1/2" - Unc |
| 16 | 101000725 | Vtm 475 Tine (Consertine) |
| | | TINE ASSEMBLIES |
| | | (Coil and Stem Assembled Together) |
| | 601241147 | VTH-L Tine and Coil Assembly 12 x 65 |
| | 601241148 | VTH Tine and Coil Assembly 15 x 65 |
| | | COMPLETE TINE PACKAGES |
| | | (Includes Tine and Coil Assembly, Clamp w/Bolt & Nut, Share Bolts & Nuts) |
| | 601241166 | VTM 475 Tine Package (Std. Consertine) |
| | 601241125 | VTH-L Tine Package 12 x 65 |
| | 601241126 | VTH Tine Package 15 x 65 |

601231042 Gauge Wheel Package - Optional



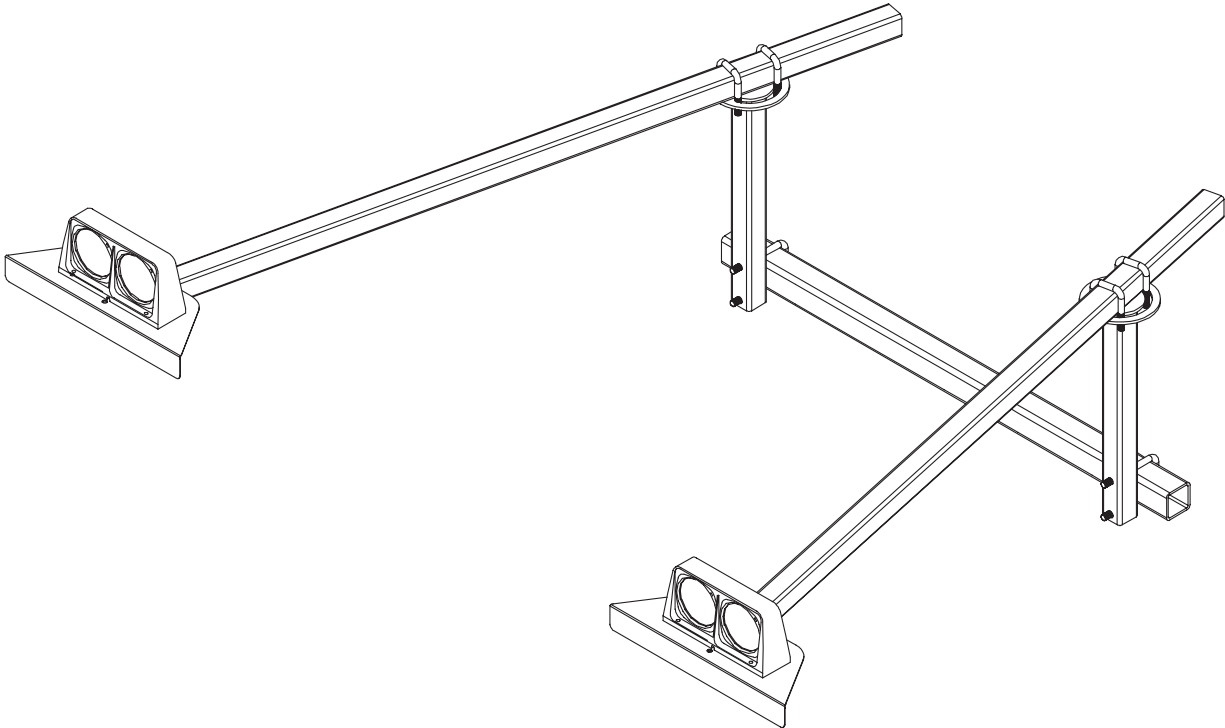
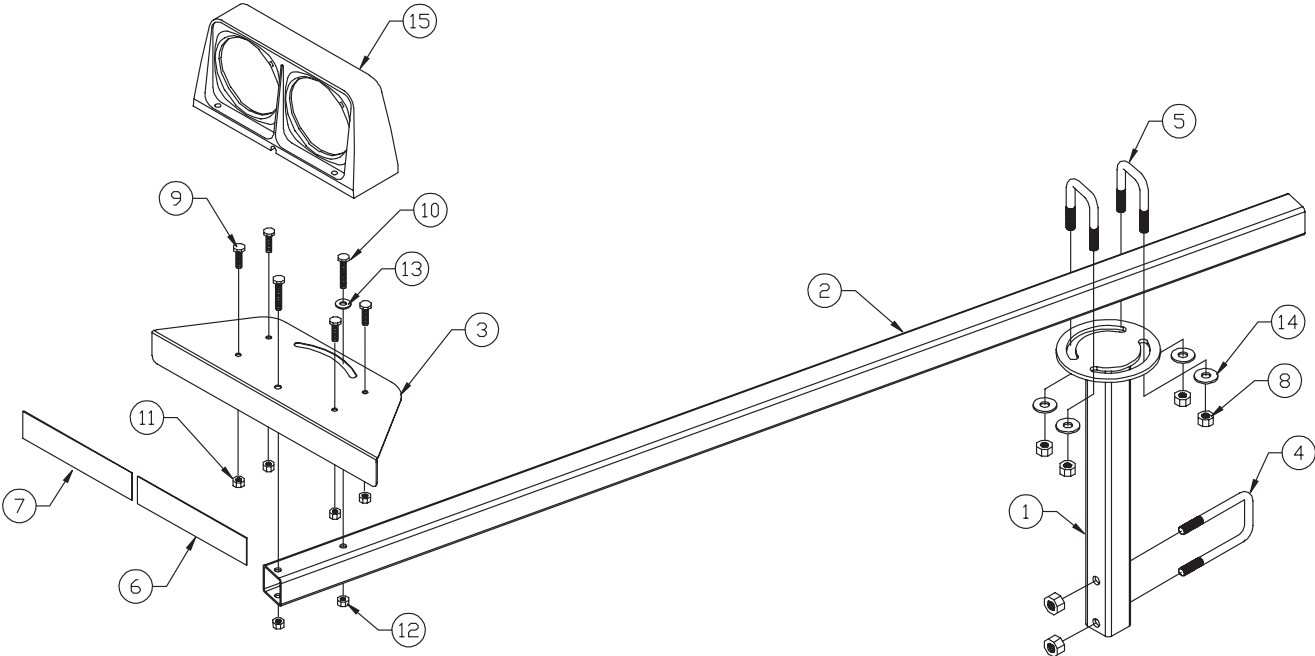
| Fig. | Part no. | Description |
|------|-----------|--|
| 1 | 600473002 | Hub 5000 lbs - Bearing Kit |
| 2 | 606001186 | Hub 5000 lbs |
| 3 | 600373006 | Lug Bolt 9/16" - 18 |
| 4 | 601232321 | Gauge Wheel Arm |
| | 601231421 | Gauge Wheel Arm and Hub Assembly (Includes items 1 - 4) |
| 5 | 600600248 | Turnbuckle Assembly |
| 6 | 601232077 | Gauge Wheel Mounting Bracket |
| 7 | 600383114 | Pin 1" x 216mm (8 1/2") |
| 8 | 600383117 | Ring Cotter Pin 1" |
| 9 | 600366025 | Locknut 5/8" UNF (2 1/2" x 2 1/2" Tube) |
| | 600366031 | Locknut 5/8" UNC (2" x 6" Tube) |
| 10 | 600373066 | U-Bolt 5/8" x 2 1/2" x 3 3/4" UNF (2 1/2" x 2 1/2" Tube) |
| | 600373103 | U-Bolt 5/8" x 6" x 4" UNC (2" x 6" Tube) |
| 12 | 600383108 | Pin 1" x 55mm (2 1/4") |
| 13 | 600473104 | Tire, Tube & Rim Assembly 950 x 15 - 12 Ply |
| 13A | 600473103 | Tire 950 x 15 - 12 Ply |
| 13B | 600473010 | Tube 950 x 15 |
| 13C | 606001297 | Rim 15 x 8 x 6 Bolt |

601231202 Single Point Hydraulic - Optional



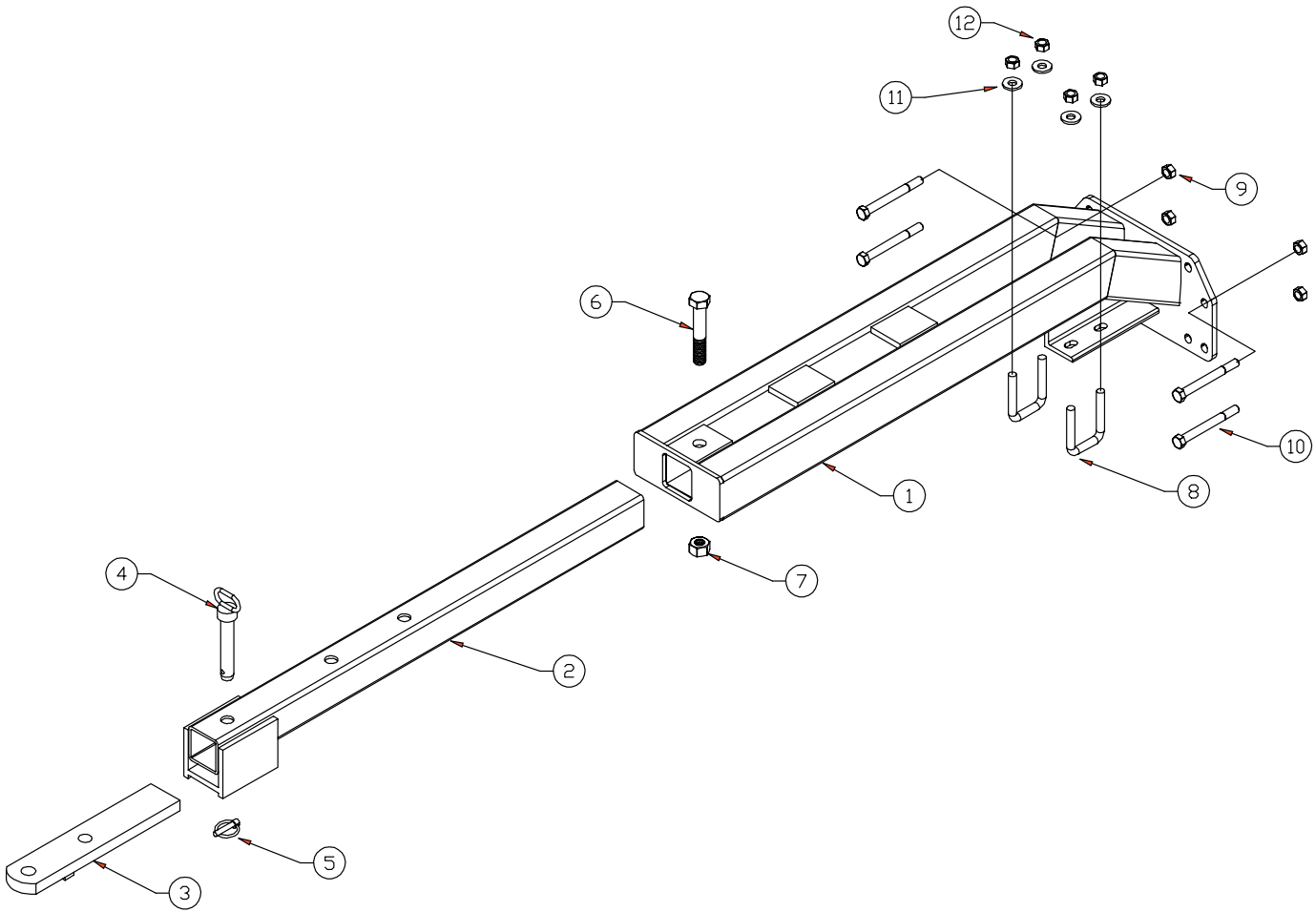
| Fig. | Part no. | Description |
|------|-----------|---|
| 1 | 601232192 | Single Point Mount Weldment |
| 2 | 601140548 | Trigger Bar |
| 3 | 601140542 | Slide Plate for Single Point Hydraulics |
| 4 | 601140566 | Clamp Plate |
| 5 | 601232204 | Single Point Connector - Standard Machine |
| 6 | 601140554 | Torque Knobs |
| 7 | 600361035 | Carriage Bolt 3/8" x 1 1/4" |
| 8 | 600373102 | U-Bolt 1/2" x 2 1/2" x 3 1/2" |
| 9 | 600356127 | Bolt 5/16" x 2-1/4" |
| 10 | 600366027 | Locknut 5/16" |
| 11 | 600366030 | Locknut 1/2" |
| 12 | 601140555 | Striker Bolt 3/8" x 3" |
| 13 | 601140556 | Striker Spring |
| 14 | 600366028 | Locknut 3/8" |
| 15 | 600470048 | Straight Joiner 1/2" ORB x 1/2" JIC |
| 16 | 600470049 | Elbow 1/2" ORB x 1/2" JIC |
| 17 | 600356016 | Bolt 3/8" x 1 1/4" |
| 18 | 600470338 | Hex Plug 1/2" ORB |
| 19 | 600470070 | Valve for Single Point Hydraulics |
| 20 | 600470072 | Cartridge Assy. |
| 21 | 600475060 | Depth Decal |

601230163 2900 Light Kit - Optional

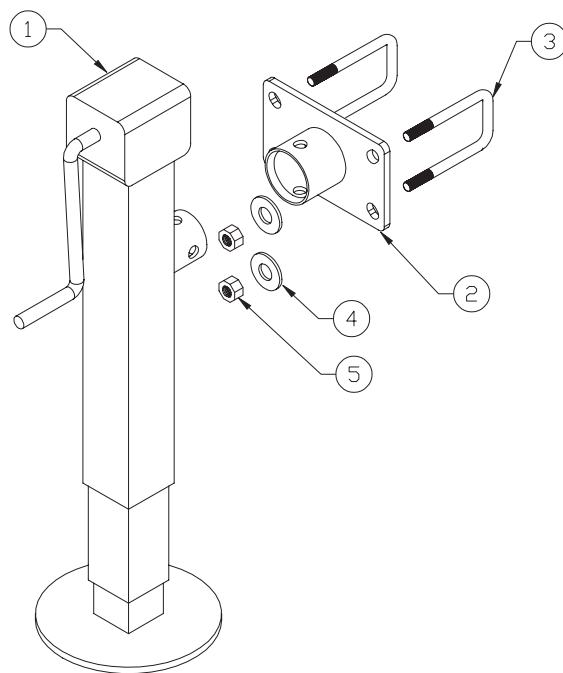


| Fig. | Part no. | Description |
|------|-----------|---|
| 1 | 601242698 | Light Stand |
| 2 | 601243799 | Light Tube |
| 3 | 601243803 | Light Mount |
| 4 | 600373089 | U-Bolt 1/2" x 2 9/16" x 5 1/4" |
| 5 | 600373061 | U-Bolt 1/2" x 2" x 3 1/4" |
| 6 | 600475178 | Orange Reflective Strip |
| 7 | 600475179 | Red Reflective Strip |
| 8 | 600366030 | Locknut 1/2" |
| 9 | 600356136 | Bolt 1/4" x 1 1/2" |
| 10 | 600356007 | Bolt 3/8" x 2 1/2" |
| 11 | 600366026 | Locknut 1/4" |
| 12 | 600366028 | Locknut 3/8" |
| 13 | 600381006 | Flatwasher 3/8" |
| 14 | 600366028 | Flatwasher 1/2" |
| 15 | 600600266 | Wesbar 2676 Deluxe Light Kit - Less Mounting Brackets |
| 1-14 | 601240137 | Light Kit Mounting Brackets - Less Lights |

601240138 Rear Hitch - Optional



601231226 Rear Jack - Optional



| Fig. | Part no. | Description |
|------|-----------|-----------------------------------|
| 1 | 601242386 | Rear Hitch Frame |
| 2 | 601242377 | Rear Hitch Tube |
| 3 | 601140518 | Drawbar |
| 4 | 601140894 | Draw Pin 1" x 4 3/4" |
| 5 | 100333014 | Lynch Pin 9.5mm |
| 6 | 600356029 | Bolt 1" x 5 1/2" |
| 7 | 600366032 | Locknut 1" |
| 8 | 600373088 | U-Bolt 5/8" x 2 1/2" x 3 3/4" UNF |
| 9 | 600366031 | Locknut 5/8" |
| 10 | 600355032 | Bolt 5/8" x 6 1/2" |
| 11 | 600381020 | Flatwasher 5/8" |
| 12 | 600366025 | Locknut 5/8" UNF |

| Spare Parts List / 2900 Rear Jack | | |
|-----------------------------------|-----------|-----------------------------------|
| Fig. | Part no. | Description |
| 1 | 601231223 | Drop Leg Jack |
| 2 | 601232242 | Jack Mount |
| 3 | 600373066 | U-Bolt 5/8" x 2 1/2" x 3 3/4" UNF |
| 4 | 600381020 | Flatwasher 5/8" |
| 5 | 600366025 | Locknut 5/8" UNF |

